



TE Internal #: 1-1478043-0

In-Series Adapter, Straight, BNC Side A, Plug Side A, BNC Side B, Plug Side B, 1 Position

[View on TE.com >](#)

Connectors > Connector Accessories > Connector Adapters & Connector Savers



Connector Interface Adapter Type: **In-Series Adapter**

Body Orientation: **Straight**

Side A Interface: **BNC**

Side A Gender: **Plug**

Side B Interface: **BNC**

Features

Contact Features

RF Connector Center Contact Material	Brass
RF Connector Center Contact Plating Material	Silver

Body Features

Body Plating Material	Silver
Body Material	Brass
Seal Material	Silicone Rubber

Packaging Features

Packaging Method	Tray
Packaging Quantity	50

Other

Grade	Professional
EU RoHS Compliance	Compliant with Exemptions
EU ELV Compliance	Compliant with Exemptions

Operation/Application

Operating Frequency	2 GHz
---------------------	-------



Circuit Application	Power & Signal
---------------------	----------------

Product Type Features

Connector Interface Adapter Type	In-Series Adapter
Side A Interface	BNC
Side A Gender	Plug
Side B Interface	BNC
Side B Gender	Plug
Connector System	Cable-to-Cable
Sealable	No

Housing Features

Body Orientation	Straight
------------------	----------

Configuration Features

Number of Positions	1
---------------------	---

Electrical Characteristics

Impedance	75 Ω
-----------	------

Mechanical Attachment

Connector Mounting Type	Panel Mount
-------------------------	-------------

Usage Conditions

Operating Temperature Range	-65 – 165 °C[-85 – 329 °F]
-----------------------------	----------------------------

Product Compliance

[For compliance documentation, visit the product page on TE.com>](#)

EU RoHS Directive 2011/65/EU	Compliant with Exemptions
EU ELV Directive 2000/53/EC	Compliant with Exemptions
China RoHS 2 Directive MIIT Order No 32, 2016	Restricted Materials Above Threshold
EU REACH Regulation (EC) No. 1907/2006	Current ECHA Candidate List: JUNE 2024 (241) Candidate List Declared Against: JUNE 2024 (241) SVHC > Threshold: Pb (3.15% in Component Part) Article Safe Usage Statements: Do not eat, drink or smoke when using this product. Wash thoroughly after handling. Recycle if possible and dispose of the article by following all applicable governmental regulations relevant to your geographic location.
Halogen Content	Low Bromine/Chlorine - Br and Cl < 900 ppm per homogenous material. Also BFR

/CFR/PVC Free

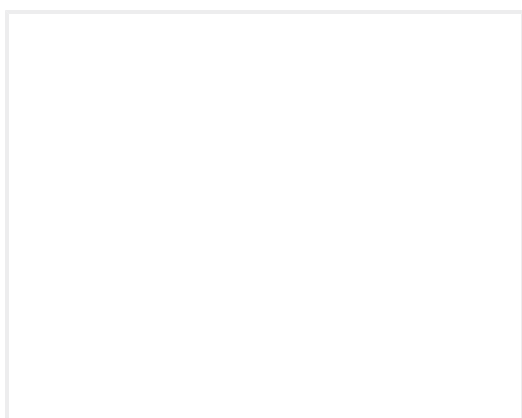

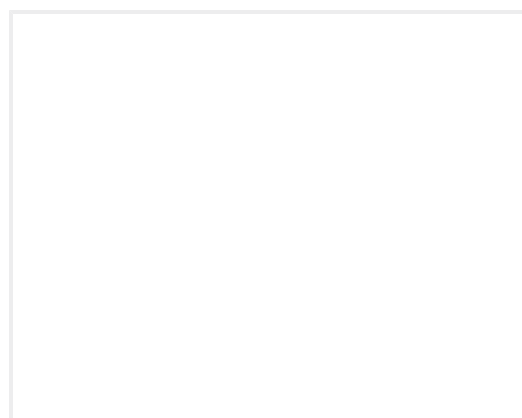
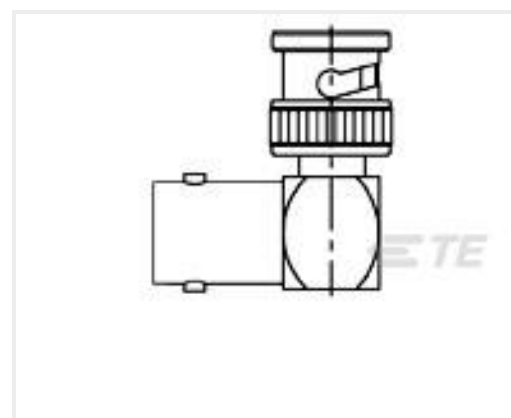
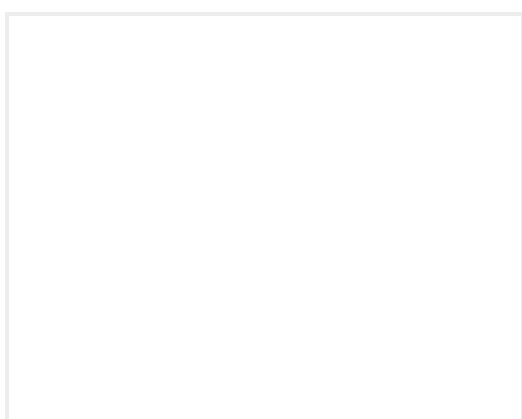
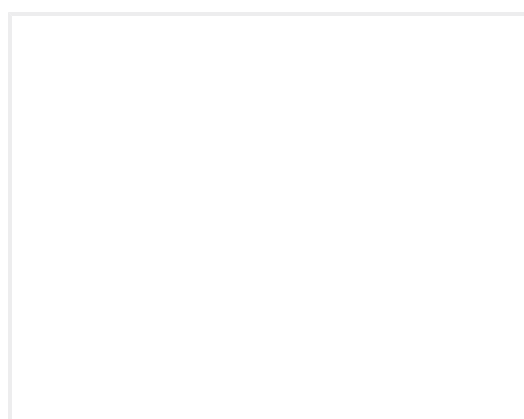



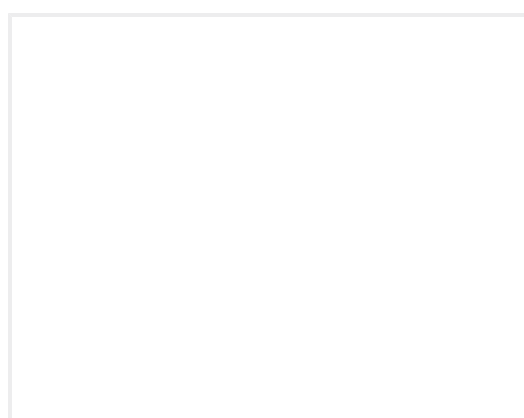
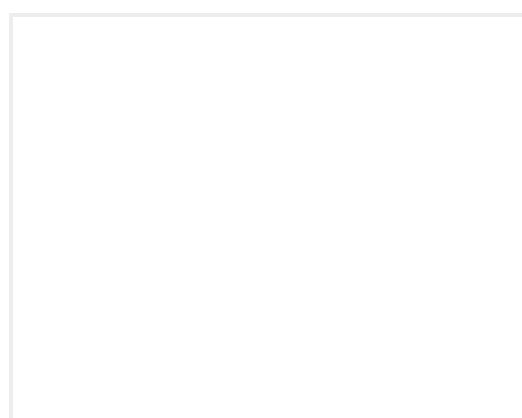
Solder Process Capability

Not applicable for solder process capability

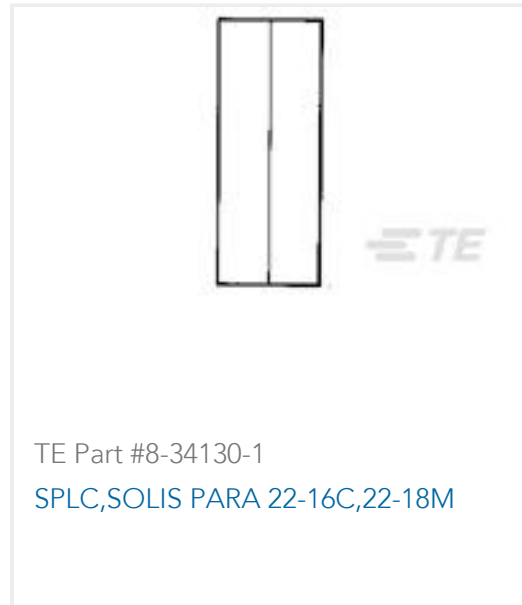
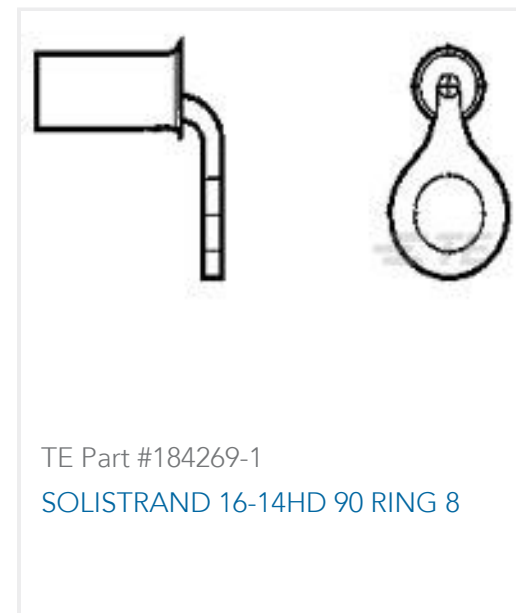
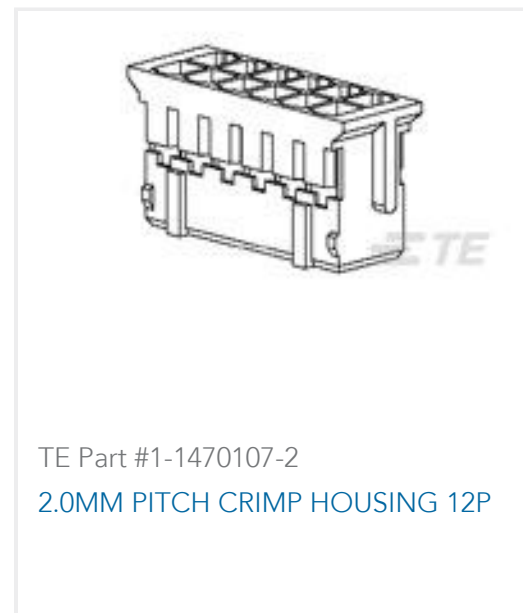
Product Compliance Disclaimer

This information is provided based on reasonable inquiry of our suppliers and represents our current actual knowledge based on the information they provided. This information is subject to change. The part numbers that TE has identified as EU RoHS compliant have a maximum concentration of 0.1% by weight in homogenous materials for lead, hexavalent chromium, mercury, PBB, PBDE, DBP, BBP, DEHP, DIBP, and 0.01% for cadmium, or qualify for an exemption to these limits as defined in the Annexes of Directive 2011/65/EU (RoHS2). Finished electrical and electronic equipment products will be CE marked as required by Directive 2011/65/EU. Components may not be CE marked. Additionally, the part numbers that TE has identified as EU ELV compliant have a maximum concentration of 0.1% by weight in homogenous materials for lead, hexavalent chromium, and mercury, and 0.01% for cadmium, or qualify for an exemption to these limits as defined in the Annexes of Directive 2000/53/EC (ELV). Regarding the REACH Regulation, the information TE provides on SVHC in articles for this part number is based on the latest European Chemicals Agency (ECHA) 'Guidance on requirements for substances in articles' posted at this URL: <https://echa.europa.eu/guidance-documents/guidance-on-reach>

Compatible Parts

 <p>TE Part # 6-1478410-0 BNC Str Jk PS 75Ohm Silver Pltd URM202</p>	 <p>TE Part # 6-1337446-1 BNC Pnl Skt 75Ohm Silver Pltd</p>	 <p>TE Part # 6-1337528-0 BNC BHSkt 75Ohm Nickel Gold Pltd</p>	 <p>TE Part # 1-1337526-0 BNC R/A Adp PJ 75Ohm Nickel Pltd</p>
 <p>TE Part # 6-1478411-0 BNC Str Jk PS 75Ohm Silver Pltd RG59B/U,</p>	 <p>TE Part # 6-1478068-0 BNC Str Jk Hex 75Ohm Nickel Pltd BT3002</p>	 <p>TE Part # 6-1337443-0 BNC Str Jk Hex 75Ohm Nickel Pltd RG59B/U</p>	 <p>TE Part # 6-1478048-0 BNC Ins BHSkt 75Ohm Nickel Gold Pltd</p>
 <p>TE Part # 6-1478201-0 BNC Ins BHSkt 75Ohm Nickel Silver Pltd</p>	 <p>TE Part # 6-1478094-0 BNC RM BHJ Hex 75Ohm Nickel Pltd BT3002</p>	 <p>TE Part # 6-1337444-0 BNC Str Jk Hex 75Ohm Silver Pltd RG59B/U</p>	

Customers Also Bought



Documents

Product Drawings

[BNC M TO BNC M ADAPTOR,STR,75 OHM,2G](#)

English

CAD Files

[3D PDF](#)

3D

Customer View Model

[ENG_CVM_CVM_1-1478043-0_B.2d_dxf.zip](#)

English

Customer View Model

[ENG_CVM_CVM_1-1478043-0_B.3d_igs.zip](#)

English

Customer View Model

[ENG_CVM_CVM_1-1478043-0_B.3d_stp.zip](#)

English

By downloading the CAD file I accept and agree to the [Terms and Conditions](#) of use.

Datasheets & Catalog Pages



BNC Connectors

English