

1-5747301-6 ✓ ACTIVE

AMPLIMITE | AMPLIMITE HD-20

TE Internal #: 1-5747301-6

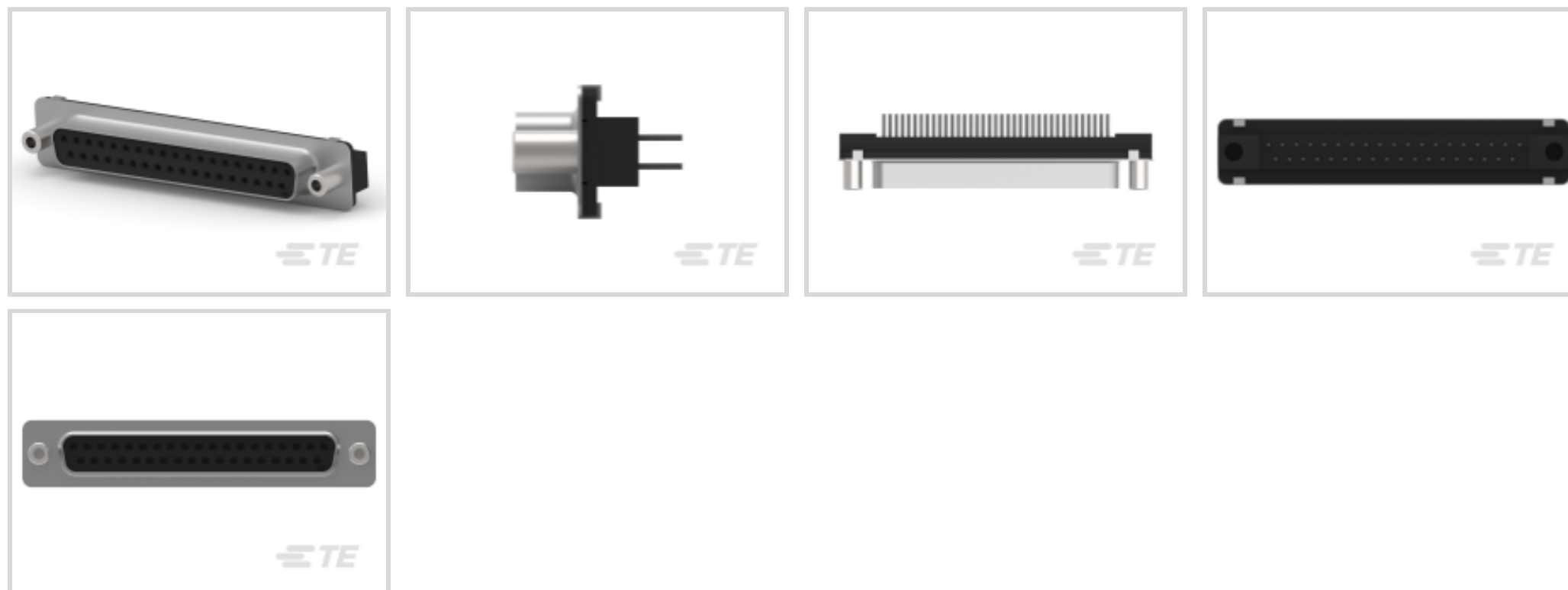
Receptacle, Board-to-Board, 37 Position, 2.77 mm [.109 in]

Centerline, 2 Row, Shell Size 4, Round, AMPLIMITE HD-20, PCB D-Sub Connectors

[View on TE.com >](#)



Connectors > D-Shaped Connectors > D-Sub Connectors > PCB D-Sub Connectors > D-Sub Receptacle Assembly: Vertical, Shell Size 4, 2.77mm



Connector & Housing Type: **Receptacle**

Connector System: **Board-to-Board**

Number of Positions: **37**

Centerline (Pitch): **2.77 mm [.109 in]**

Number of Rows: **2**

[All D-Sub Receptacle Assembly: Vertical, Shell Size 4, 2.77mm \(30\)](#)

## Features

### Industry Standards

UL Flammability Rating	UL 94V-0
------------------------	----------

### Termination Features

Termination Post & Tail Diameter	.66 mm[.026 in]
Termination Method to PCB	Through Hole - Solder
Termination Post & Tail Length	4.32 mm[.17 in]

### Packaging Features

Packaging Quantity	7
Packaging Method	Tube

### Mechanical Attachment

Mounting Hole Diameter	3.05 mm[.12 in]
PCB Mount Retention	With
PCB Mount Retention Type	Mounting Hole



Mating Retention	With
Mating Retention Type	Female Screwlocks, Fixed
Connector Mounting Type	Board Mount

### Body Features

Shell Plating Material	Tin
Mating Feature Material	Zinc
Primary Product Color	Black
Connector Profile	Standard

### Contact Features

Contact Underplating Material	Nickel
	30 µin
Contact Options	Installed
Contact Mating Area Plating Material	Gold
Contact Base Material	Phosphor Bronze
PCB Contact Termination Area Plating Material	Tin
Contact Shape & Form	Round
Contact Current Rating (Max)	6 A

### Dimensions

PCB Thickness (Recommended)	2.36 – 3.18 mm [.062 – .125 in]
Row-to-Row Spacing	2.84 mm [.112 in]

### Housing Features

Housing Material	Polyester
Shell Material	Carbon Steel
Centerline (Pitch)	2.77 mm [.109 in]

### Product Type Features

Shell Material Configuration	Front Metal Shell
Connector & Housing Type	Receptacle
Connector System	Board-to-Board
Connector Shell Size	4
Connector & Contact Terminates To	Printed Circuit Board

### Configuration Features

Number of Positions	37
---------------------	----



Number of Rows	2
----------------	---

PCB Mount Orientation	Vertical
-----------------------	----------

### Usage Conditions

Operating Temperature Range	-55 – 105 °C[-67 – 221 °F]
-----------------------------	----------------------------

### Operation/Application

Circuit Application	Signal
---------------------	--------

### Other

EU RoHS Compliance	Compliant
--------------------	-----------

EU ELV Compliance	Compliant
-------------------	-----------

## Product Compliance

[For compliance documentation, visit the product page on TE.com>](#)

EU RoHS Directive 2011/65/EU	Compliant
------------------------------	-----------

EU ELV Directive 2000/53/EC	Compliant
-----------------------------	-----------

China RoHS 2 Directive MIIT Order No 32, 2016	No Restricted Materials Above Threshold
---	---

EU REACH Regulation (EC) No. 1907/2006	Current ECHA Candidate List: JUNE 2024 (241) Candidate List Declared Against: JUNE 2024 (241) Does not contain REACH SVHC
--	---

Halogen Content	Not Low Halogen - contains Br or Cl > 900 ppm.
-----------------	--

Solder Process Capability	Wave solder capable to 265°C
---------------------------	------------------------------

#### Product Compliance Disclaimer

This information is provided based on reasonable inquiry of our suppliers and represents our current actual knowledge based on the information they provided. This information is subject to change. The part numbers that TE has identified as EU RoHS compliant have a maximum concentration of 0.1% by weight in homogenous materials for lead, hexavalent chromium, mercury, PBB, PBDE, DBP, BBP, DEHP, DIBP, and 0.01% for cadmium, or qualify for an exemption to these limits as defined in the Annexes of Directive 2011/65/EU (RoHS2). Finished electrical and electronic equipment products will be CE marked as required by Directive 2011/65/EU. Components may not be CE marked. Additionally, the part numbers that TE has identified as EU ELV compliant have a maximum concentration of 0.1% by weight in homogenous materials for lead, hexavalent chromium, and mercury, and 0.01% for cadmium, or qualify for an exemption to these limits as defined in the Annexes of Directive 2000/53/EC (ELV). Regarding the REACH Regulation, the information TE provides on SVHC in articles for this part number is based on the latest European Chemicals Agency (ECHA) 'Guidance on requirements for substances in articles' posted at this URL: <https://echa.europa.eu/guidance-documents/guidance-on-reach>

## Compatible Parts



Also in the Series | **AMPLIMITE HD-20**



Customers Also Bought





## Documents

### Product Drawings

#### [37 RCPT SP/FMS SCRLK](#)

English

---

### CAD Files

#### Customer View Model

##### [ENG\\_CVM\\_CVM\\_1-5747301-6\\_N.3d\\_igs.zip](#)

English

#### Customer View Model

##### [ENG\\_CVM\\_CVM\\_1-5747301-6\\_N.3d\\_stp.zip](#)

English

#### Customer View Model

##### [ENG\\_CVM\\_CVM\\_1-5747301-6\\_N.2d\\_dxf.zip](#)

English

### 3D PDF

3D

#### Customer View Model

##### [ENG\\_CVM\\_1-5747301-6\\_A.3d\\_igs.zip](#)

English

#### Customer View Model

##### [ENG\\_CVM\\_1-5747301-6\\_A.3d\\_stp.zip](#)

English

#### Customer View Model

##### [ENG\\_CVM\\_1-5747301-6\\_A.2d\\_dxf.zip](#)

English

### 3D PDF

English

By downloading the CAD file I accept and agree to the [Terms and Conditions](#) of use.

---

### Datasheets & Catalog Pages

#### [AMPLIMITE Subminiature D Connectors - Straight Posted Connectors](#)

English

---

### Product Specifications

#### [Application Specification](#)

English

---

### Agency Approvals

#### [UL Report](#)

English