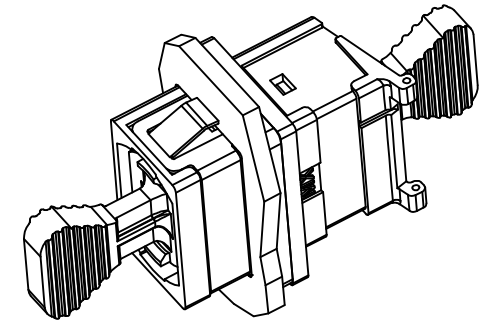
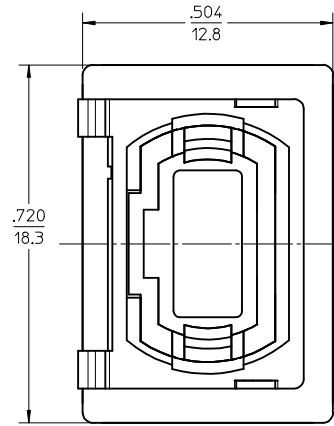
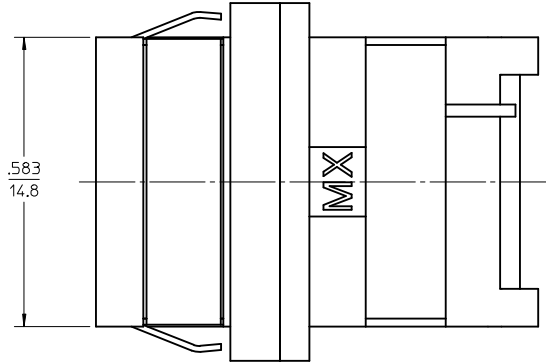
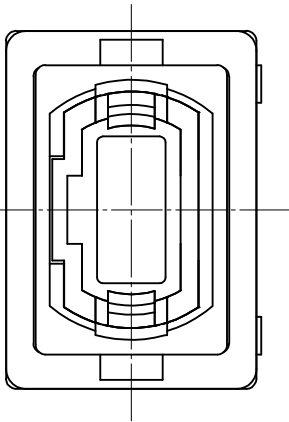
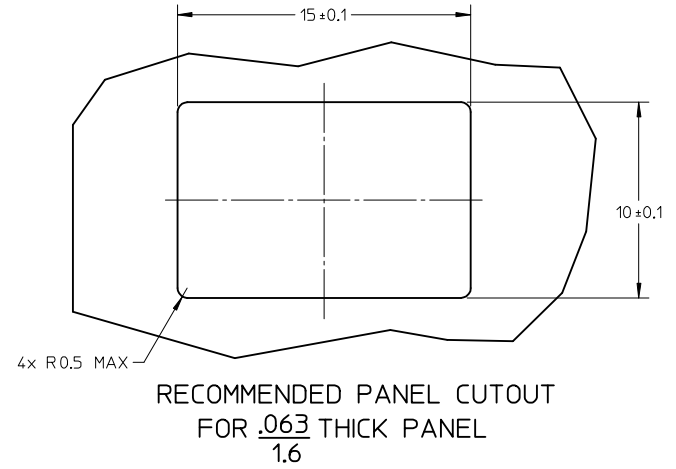
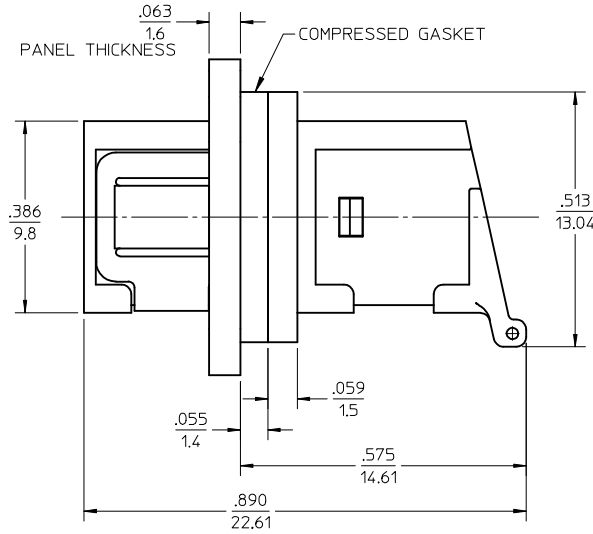


NOTES:

1. CONDUCTIVE FABRIC OVER FOAM GASKET (SHOWN COMPRESSED) IS SUPPLIED WITH THE PART.
2. OUTER SHELL OF PART IS DIECAST.
3. DUST CAP SHOWN ONLY IN ISOMETRIC VIEW.
4. ADAPTERS TO BE PACKAGED IN TRAY.

ENTER DESCRIPTION EC NO: MF2015-0263 DRWN: IGUMIN 2014/11/03 CHKD: IGUMIN APPR: IGUMIN 2014/11/14 B	QUALITY SYMBOLS ▽=0 ▽=0	GENERAL TOLERANCES (UNLESS SPECIFIED)		DIMENSION STYLE IN/MM	SCALE 4:1	DESIGN UNITS INCH	THIRD ANGLE PROJECTION	
		4 PLACES ± --- ± --- 3 PLACES ± --- ± --- 2 PLACES ± 0.10 ± --- 1 PLACE ± 0.10 ± ---	DRAWN BY MAGHAYRE	DATE 2014/01/28	TITLE MPO EMI ADAPTER, SMALL FLANGE NO SHUTTER			
		ANGULAR ±1/2°	APPROVED BY IGUMIN	DATE 2014/02/05	MOLEX INCORPORATED			
		DRAFT WHERE APPLICABLE MUST REMAIN WITHIN DIMENSIONS	MATERIAL NO. 1061141204	DOCUMENT NO. SD-106114-1204	SHEET NO. 1 OF 1			



NOTES:

1. CONDUCTIVE FABRIC OVER FOAM GASKET (SHOWN COMPRESSED) IS SUPPLIED WITH THE PART.
2. OUTER SHELL OF PART IS DIECAST.
3. DUST CAP SHOWN ONLY IN ISOMETRIC VIEW.
4. ADAPTERS TO BE PACKAGED IN TRAY.

ENTER DESCRIPTION EC NO: MF2015-0263 DRWN: IGUMIN 2014/11/03 CHKD: IGUMIN APPR: IGUMIN 2014/11/14 B	QUALITY SYMBOLS ▽=0 ▽=0	GENERAL TOLERANCES (UNLESS SPECIFIED)		DIMENSION STYLE IN/MM	SCALE 4:1	DESIGN UNITS INCH	THIRD ANGLE PROJECTION		
		4 PLACES ± --- ± ---	3 PLACES ± --- ± ---	DRAWN BY MAGHAYRE	DATE 2014/01/28	TITLE MPO EMI ADAPTER, SMALL FLANGE NO SHUTTER			
		2 PLACES ± 0.10 ± ---	1 PLACE ± 0.10 ± ---	CHECKED BY	DATE	APPROVED BY IGUMIN			
		ANGULAR ± 1/2°		MATERIAL NO. 1061141204		DATE 2014/02/05		DOCUMENT NO. SD-106114-1204	
DRAFT WHERE APPLICABLE MUST REMAIN WITHIN DIMENSIONS				SIZE B	THIS DRAWING CONTAINS INFORMATION THAT IS PROPRIETARY TO MOLEX INCORPORATED AND SHOULD NOT BE USED WITHOUT WRITTEN PERMISSION			SHEET NO. 1 OF 1	