

A 50 -32 - Ferrule

1090639

<https://www.phoenixcontact.com/us/products/1090639>



Please be informed that the data shown in this PDF document is generated from our online catalog. Please find the complete data in the user documentation. Our general terms of use for downloads are valid.

Ferrule, color: silver



Commercial data

| | |
|--------------------------------------|---------------------|
| Item number | 1090639 |
| Packing unit | 1 pc |
| Minimum order quantity | 100 pc |
| Sales key | BH34 |
| Product key | BH3412 |
| Catalog page | Page 480 (C-3-2019) |
| GTIN | 4055626900735 |
| Weight per piece (including packing) | 2.958 g |
| Weight per piece (excluding packing) | 2.952 g |
| Customs tariff number | 85369010 |
| Country of origin | DE |

A 50 -32 - Ferrule

1090639

<https://www.phoenixcontact.com/us/products/1090639>



Technical data

Notes

| | |
|---------|---|
| General | These ferrules are not included in DIN 46228-1: 1992-08 |
|---------|---|

Product properties

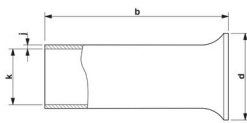
| | |
|--------------------|---|
| Product type | Cable end sleeve |
| Conductor category | stranded conductors, class 2, 5, 6 / B, C, K, M |

Connection data

Conductor connection

| | |
|---------------------------------------|--------------------|
| Conductor cross section flexible max. | 50 mm ² |
| Conductor cross section AWG max. | 1/0 |
| Stripping length | 32 mm |

Dimensions

| | |
|---|--|
| Dimensional drawing |  |
| Maximum stripping length | 32 mm |
| Ferrule diameter | 10.3 mm |
| Sleeve wall thickness | 0.3 mm |
| Inner dimensions of the insulating collar | 13 mm |

Material specifications

| | |
|----------|-----------------------|
| Color | silver |
| Material | CU-DHP |
| Coating | tin-plated (galvanic) |

Environmental and real-life conditions

Ambient conditions

| | |
|------------------------|--------|
| Permanent temperature | 105 °C |
| Short-term temperature | 120 °C |

A 50 -32 - Ferrule

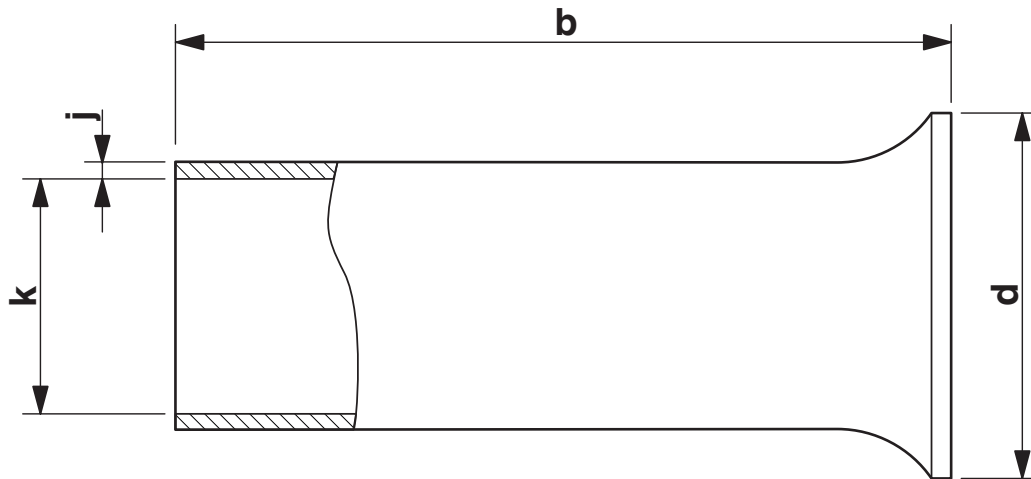
1090639

<https://www.phoenixcontact.com/us/products/1090639>



Drawings

Dimensional drawing



Sleeve length (b), insulating collar inner dimension (d), sleeve diameter (k), sleeve wall thickness (j)

A 50 -32 - Ferrule



1090639

<https://www.phoenixcontact.com/us/products/1090639>

Approvals

To download certificates, visit the product detail page: <https://www.phoenixcontact.com/us/products/1090639>



UL Listed

Approval ID: E488001



cUL Listed

Approval ID: E488001



cULus Listed

Approval ID: E488001

cULus Listed

A 50 -32 - Ferrule

1090639

<https://www.phoenixcontact.com/us/products/1090639>



Classifications

ECLASS

| | |
|-------------|----------|
| ECLASS-11.0 | 27400201 |
| ECLASS-13.0 | 27400201 |
| ECLASS-12.0 | 27400201 |

ETIM

| | |
|----------|----------|
| ETIM 9.0 | EC000005 |
|----------|----------|

UNSPSC

| | |
|-------------|----------|
| UNSPSC 21.0 | 27121700 |
|-------------|----------|

A 50 -32 - Ferrule

1090639

<https://www.phoenixcontact.com/us/products/1090639>



Environmental product compliance

| | |
|------------|---|
| China RoHS | Environmentally friendly use period: unlimited = EFUP-e |
| | No hazardous substances above threshold values |

A 50 -32 - Ferrule

1090639

<https://www.phoenixcontact.com/us/products/1090639>



Accessories

CRIMPFOX 50R - Crimping pliers

1212041

<https://www.phoenixcontact.com/us/products/1212041>



Crimping pliers, for ferrules without insulating collar according to DIN 46228 Part 1 and ferrules with insulating collar according to DIN 46228 Part 4, 35 mm² ... 50 mm², lateral entry, WM crimp

Phoenix Contact 2024 © - all rights reserved
<https://www.phoenixcontact.com>

Phoenix Contact USA
586 Fulling Mill Road
Middletown, PA 17057, United States
(+717) 944-1300
info@phoenixcon.com