

MICRO SWITCH
a Honeywell Division

FED. MFG. CODE 91929

SWITCH - TOGGLE

12TW870 SERIES CHART 1

CATALOG LISTING

CATALOG LISTING
12TW870 SERIES CHART 1

ISSUE
3

REVISIONS
A 206019
DLT
01 JUL 02

CHECK

01 JUL 02

SAV

CHECK

01 JUL 02

2D

PTC/CAD

DRAWN

RELEASE NO. PR-23095

PAGE 1 OF 1

CHECK

CHECK

01 JUL 02

SAV

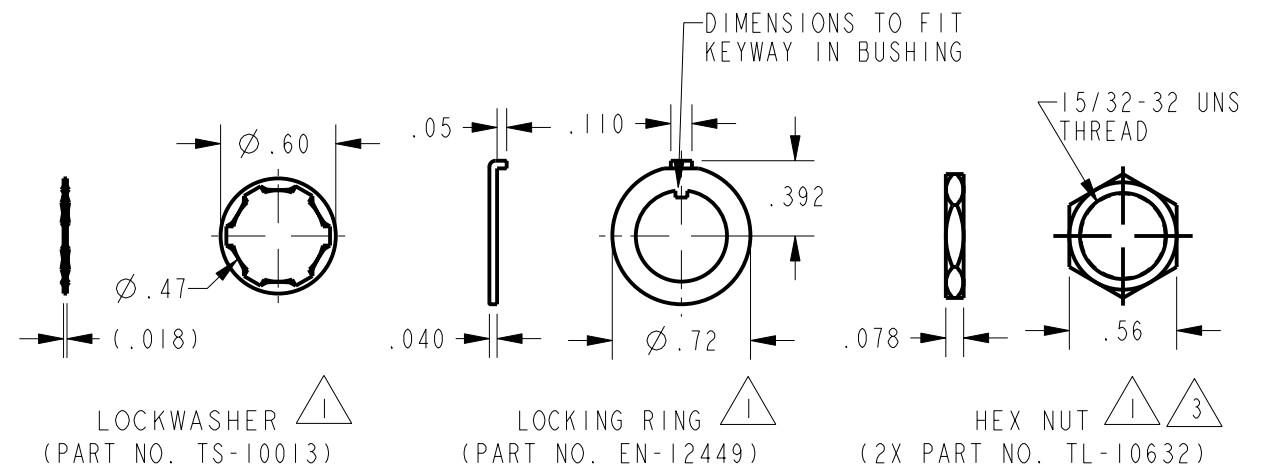
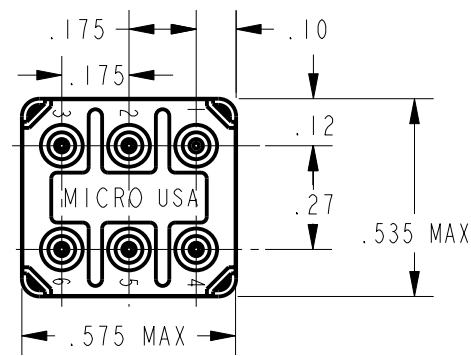
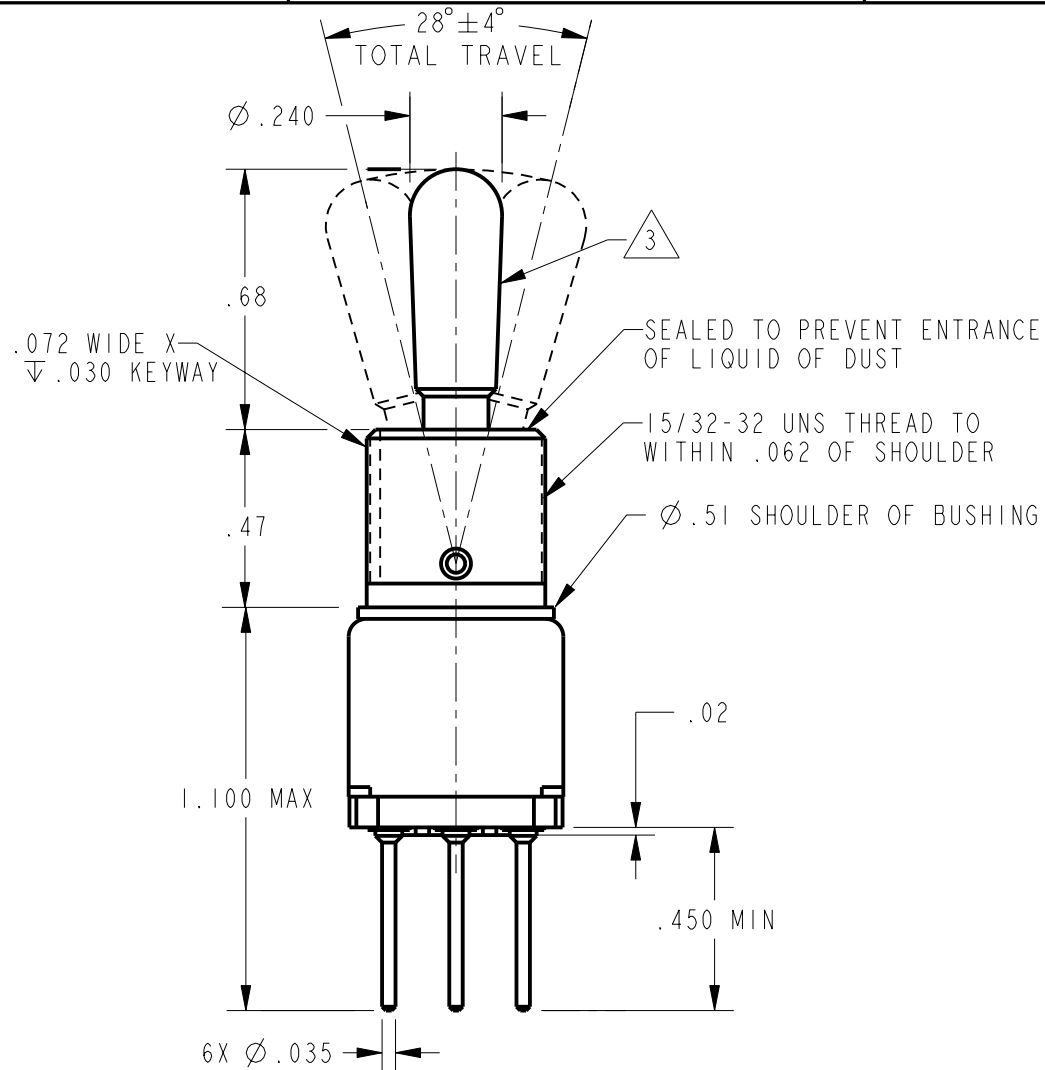
CHECK

01 JUL 02

2D

DRAWN

REPLACES



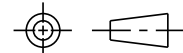
CIRCUIT WITH TOGGLE IN

CATALOG LISTING	ONE EXTREME POSITION (KEYWAY) 2-1 5-4	CENTER POSITION	OTHER EXTREME POSITION (OPPOSITE KEYWAY) 2-3 5-6
12TW870-1	ON	OFF	ON
12TW870-2	OFF	NONE	ON
12TW870-3	ON	NONE	ON
12TW870-5	MOM ON	OFF	ON
12TW870-7	MOM ON	OFF	MOM ON
12TW870-8	MOM ON	NONE	ON

- NOTES
- 1 - FURNISHED UNASSEMBLED
 - 2 - TERMINALS ARE PLATED FOR SOLDERING
 - 3 - MATTE FINISH
 - 4 - GOLD PLATED CONTACTS

THIS DRAWING COVERS A PROPRIETARY ITEM AND IS THE PROPERTY OF MICRO SWITCH, A DIVISION OF HONEYWELL. THIS DRAWING IS NOT TO BE COPIED OR USED WITHOUT THE APPROVAL OF MICRO SWITCH

THIRD ANGLE PROJECTION



CHARACTERISTICS

ELECTRICAL DATA

SCALE 2 : 1

CONTACT ARRANGEMENT

DO NOT SCALE PRINT

5A-125 VAC

-L117-



UNLESS OTHERWISE SPECIFIED TOLERANCES ARE

ONE PLACE (.0) ± .030

TWO PLACE (.00) ± .015

THREE PLACE (.000) ± .005

ANGLES ±

WEIGHT .025 LB MAX

ANSI Y14.5M-1982 APPLIES