

SENCITY® Urban 200

1399.17.0248

Properties

- Directional antenna for Cellular bands between 1695 MHz and 4200 MHz
- Gain of 7 dBi with dual slant +/-45° polarisation
- Half power beamwidth of 60° (vertical) and 70° (Horizontal)
- Wall bracket is included. Pole bracket is sold as separate item (9091.99.0274)
- N female connector



Electrical bands				
	Band 1	Band 2	Band 3	Band 4
Name	Cellular	Cellular	Cellular	Cellular
Frequency (MHz)	1695 MHz ... 1920 MHz	1920 MHz ... 2180 MHz	2300 MHz ... 2690 MHz	3300 MHz ... 3800 MHz
Impedance	50 Ω	50 Ω	50 Ω	50 Ω
VSWR	2	2	2	2
Gain (dBi)	7.4 dBi	7.3 dBi	7.4 dBi	7.2 dBi
Halfp Beamwidth vertical	80 °	85 °	70 °	65 °
Halfp Beamwidth horizontal	75 °	75 °	70 °	65 °
Isolation between Ports	18 dB	20 dB	20 dB	17 dB
Front to back ratio	16 dB	15 dB	14 dB	20 dB
Ambient Temperature	25 °C	25 °C	25 °C	25 °C
Composite Power max	125 W	125 W	110 W	95 W
Co/Crosspolar Ratio	19 dB	15 dB	15 dB	15 dB

Band 5	
Name	Cellular
Frequency (MHz)	3800 MHz ... 4200 MHz
Impedance	50 Ω
VSWR	2
Gain (dBi)	8.4 dBi
Halfp Beamwidth vertical	50 °
Halfp Beamwidth horizontal	65 °
Isolation between Ports	19 dB
Front to back ratio	20 dB

SENCITY® Urban 200

1399.17.0248

Band 5	
Ambient Temperature	25 °C
Composite Power max	90 W
Co/Crosspolar Ratio	17 dB

Ports

	Cellular	Cellular
Port name	Port 1	Port 2
Connector	N, jack (female)	N, jack (female)
Polarization	+45C° slant	-45C° slant
DC grounded	No	No

Connections

Port number	Cellular	Cellular
Band 1	✓	✓
Band 2	✓	✓
Band 3	✓	✓
Band 4	✓	✓
Band 5	✓	✓

Mechanical data

Dimensions	184.8 mm x 164.6 mm x 84.2 mm (Height x Width x Depth)
------------	--

Interface and material data

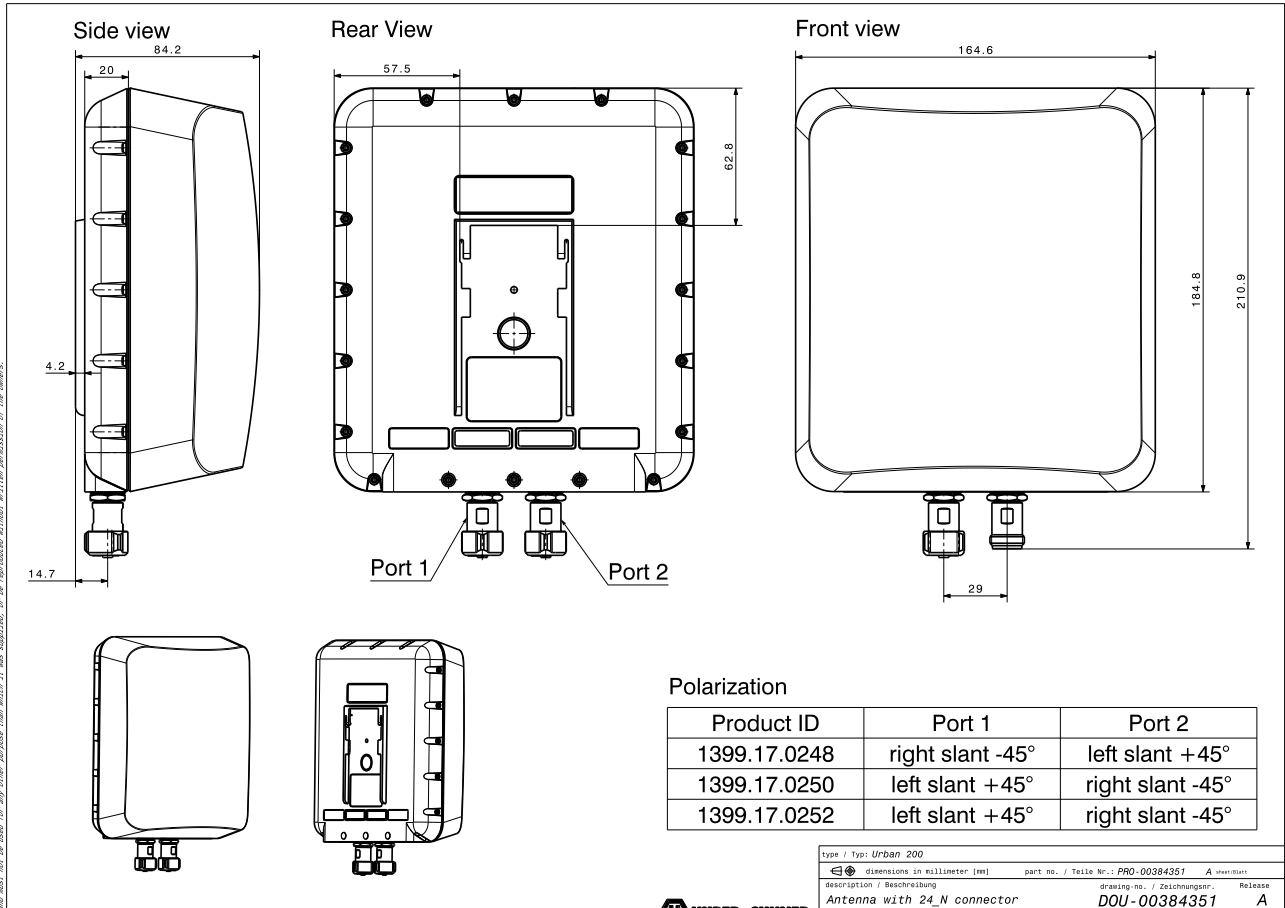
Radome material	PC (Polycarbonate)
Radome colour	RAL 7035 (light-grey)

Environmental data

Operation temperature	-40 °C ... 70 °C
Storage temperature	-40 °C ... 70 °C
Transport temperature	-40 °C ... 70 °C
Environment (application)	Indoor/Outdoor
Ingress protection (IP Rating)	IP66
Flammability rating	UL 94-V0

SENCITY® Urban 200
1399.17.0248

Outline drawing



HUBER+SUHNER is certified by ISO 9001, ISO 14001, ISO 45001, IATF 16949, AS/EN 9100 and ISO/TS 22163-IRIS. Waiver: Facts and figures herein are for information only and do not represent any warranty of any kind. DOCUMENT PIM-P3250 / Date of publication: 28.02.2024 / uncontrolled copy