

**SENCITY® Occhio MIMO 4x4 Antenna**

1399.32.0014

**Properties**

- Omnidirectional antenna for Cellular bands from 1695 MHz till 6000 MHz
- VSWR 1.5 in all bands with Vertical polarization
- PIM better than -153 dBc at 2x43 dBm
- Smart bracket system and plemum rated cables assemblies are included
- Nex10 female connector



Electrical bands				
	Band 1	Band 2	Band 3	Band 4
Frequency	1695 MHz ... 2690 MHz	3300 MHz ... 4200 MHz	4500 MHz ... 5000 MHz	5150 MHz ... 6000 MHz
VSWR	1.5	1.5	1.5	1.5
Impedance	50 Ω	50 Ω	50 Ω	50 Ω
Gain	4 dBi	4.5 dBi	6.5 dBi	6.5 dBi
Isolation between Ports	18 dB	22 dB	25 dB	25 dB

Electrical remarks	
IMD level	-153 dBc at carrier power 2x 43 dBm
Remarks	VSWR 1:1.7 in 1.695-1.8 GHz typical

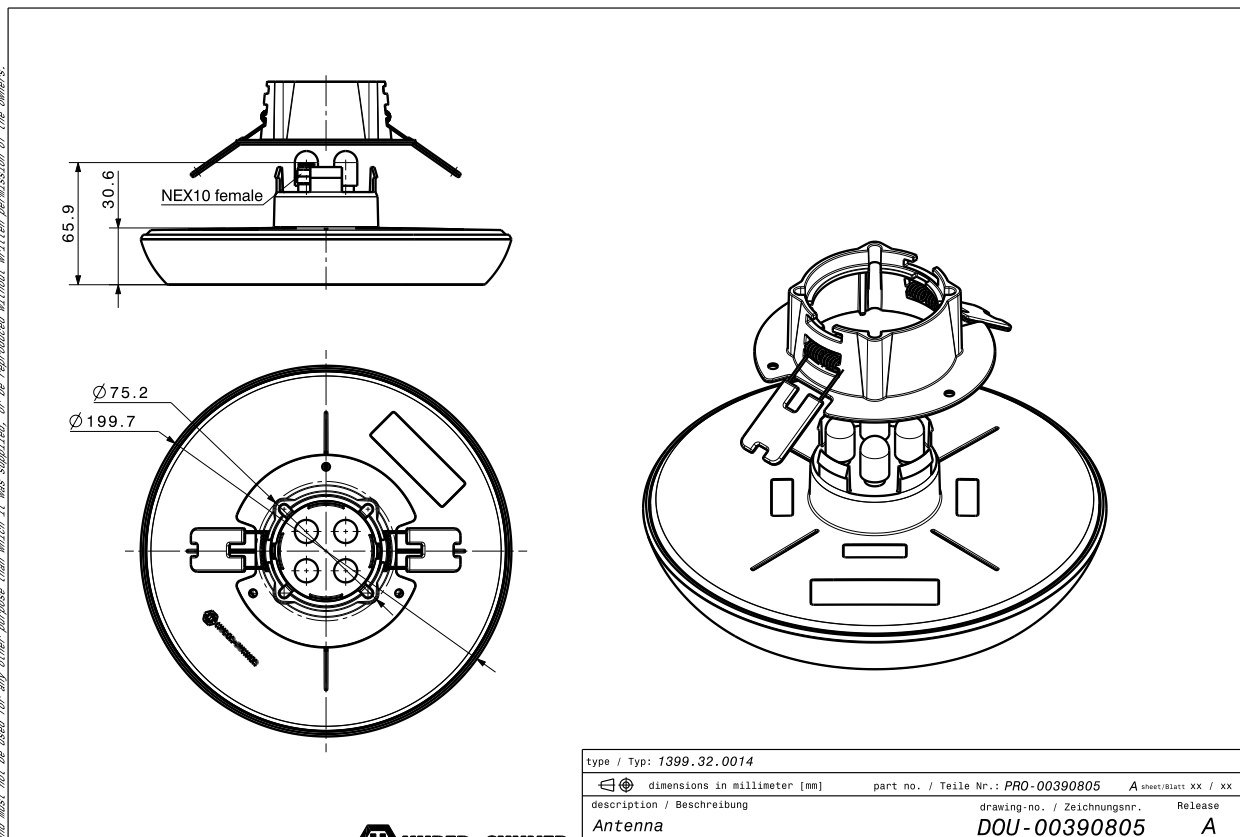
Ports				
	Port 1	Port 2	Port 3	Port 4
Connector	NEX10, jack (female)	NEX10, jack (female)	NEX10, jack (female)	jack (female)
Cable type	SUCOFORM_122_LA_CU_CMP	SUCOFORM_122_LA_CU_CMP	SUCOFORM_122_LA_CU_CMP	SUCOFORM_122_LA_CU_CMP
Polarization	vertical	vertical	vertical	vertical
DC grounded	No	No	No	No

Connections				
Port number	Port 1	Port 2	Port 3	Port 4
Band 1	✓	✓	✓	✓
Band 2	✓	✓	✓	✓
Band 3	✓	✓	✓	✓

**SENCITY® Occhio MIMO 4x4 Antenna**

1399.32.0014

Connections			
Band 4	✓	✓	✓
Mechanical data			
Dimensions	32 mm x 200 mm (Height x Diameter)		
Interface and material data			
Radome colour	White		
Back plate/base plate colour	Black		
Environmental data			
Operation temperature	0 °C ... 55 °C		
Storage temperature	-40 °C ... 85 °C		
Transport temperature	-40 °C ... 85 °C		
Environment (application)	Indoor		
Flammability rating	UL 94-V0		
Solar radiation	UL 746C, FI		
Outline drawing			



**SENCITY® Occhio MIMO 4x4 Antenna**

1399.32.0014

HUBER+SUHNER is certified by ISO 9001, ISO 14001, ISO 45001, IATF 16949, AS/EN 9100 and ISO/TS 22163-IRIS. Waiver: Facts and figures herein are for information only and do not represent any warranty of any kind.  
DOCUMENT PIM-P3228 / Date of publication: 13.06.2024 / uncontrolled copy