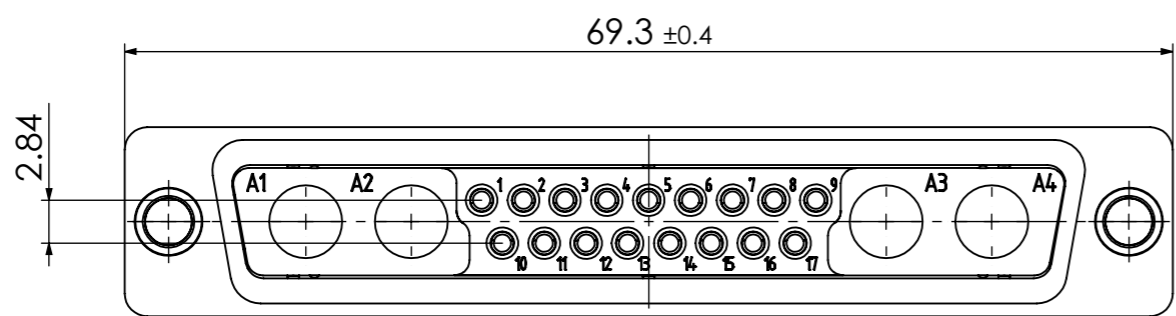
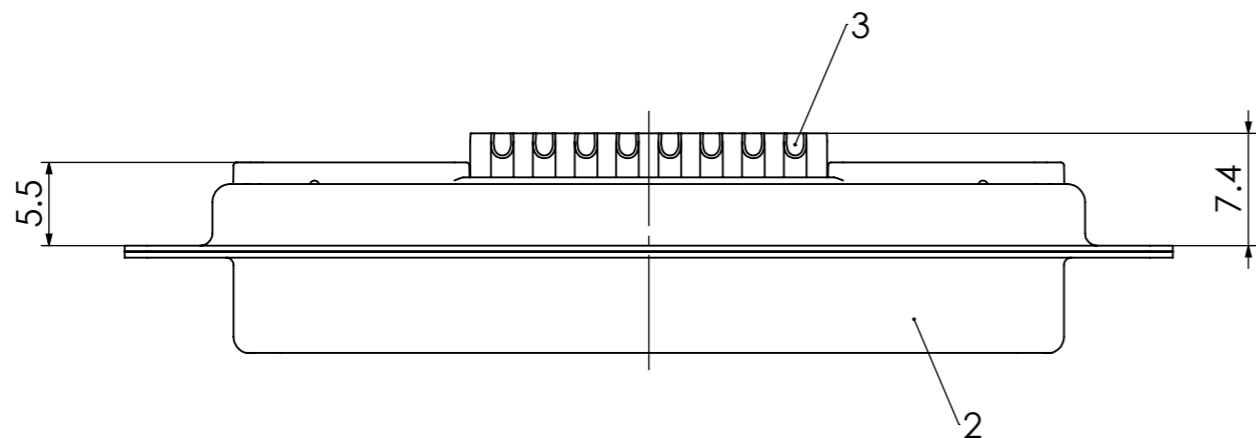
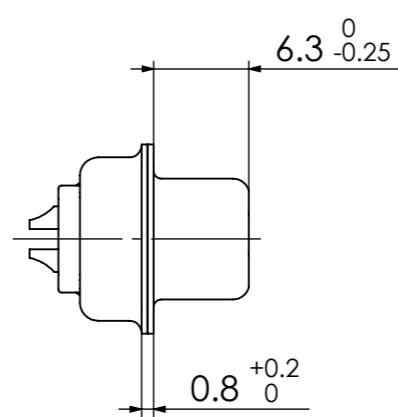
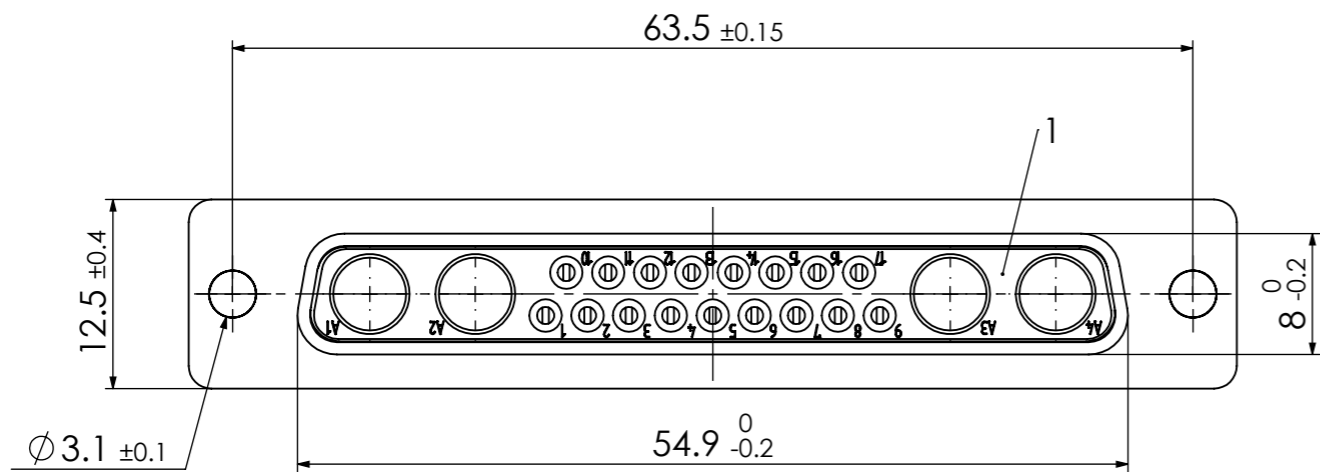


RoHS compliant
by exemption



3	17	Signal contact	SO / Brass	0,8µm Au / AWG 20
2	1	Shell	Steel	tin plated
1	1	Insulator	PBT (-55°C to +130°C) acc. UL94V-0	green
No.	St.	Part	Type Description/Material	Surface plating/Colour/Class

FUNCTIONAL SYMBOLS ▽ = 0 ▽ = 0 ▽ = 0					THIS DRAWING CONTAINS INFORMATION THAT IS PROPRIETARY TO MOLEX ELECTRONIC TECHNOLOGIES, LLC AND SHOULD NOT BE USED WITHOUT WRITTEN PERMISSION				
DIMENSION UNITS		SCALE		MEASUREMENTS WITHOUT TOLERANCE ACC. TO			molex FCT D-Sub Mixed-Layout Connector		
mm		2:1		ISO 2768-m					
CURRENT REVISION					PRODUCT CUSTOMER DRAWING				
DRWN: DRAWN BY		msteinbrueck		01-02-2019		MATERIAL NUMBER 1731070068			REVISION 2
APPR: APPR BY		MTeubel		04-02-2019					
INITIAL REVISION									
DRWN: DRAWN BY		Denzinger		26-03-2003		DOCUMENT NUMBER FM21WA4S-K121			CUSTOMER GENERAL MARKET
APPR: APPR BY		Floßmann		26-03-2003					
REPLACEMENT FOR:		FIRST ANGLE PROJECTION		DRAWING		SHEET NUMBER			
				A3-SIZE		1 OF 1			

COMMENT:
ALL RIGHTS ARE RESERVED BY US FOR THIS DRAWING. WITHOUT OUR PRIOR CONSENT, IT MAY NEITHER BE DUPLICATED NOR MADE AVAILABLE TO A THIRD PARTY. AND IT ALSO MAY NOT BE IMPROPERLY USED BY THE RECEIVER, OR A THIRD PARTY.