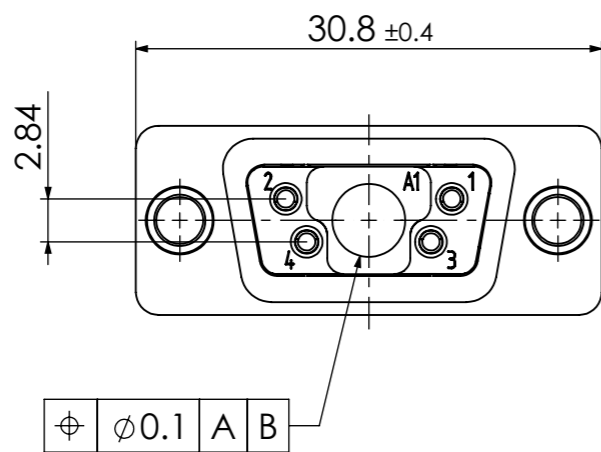
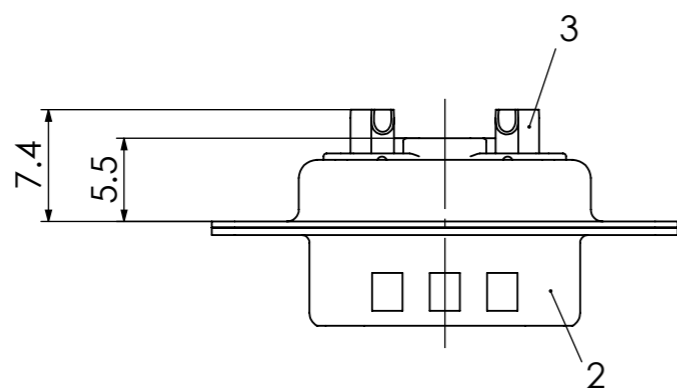
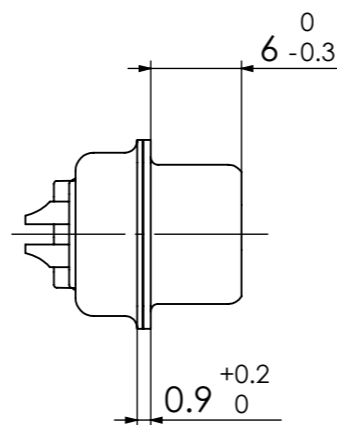
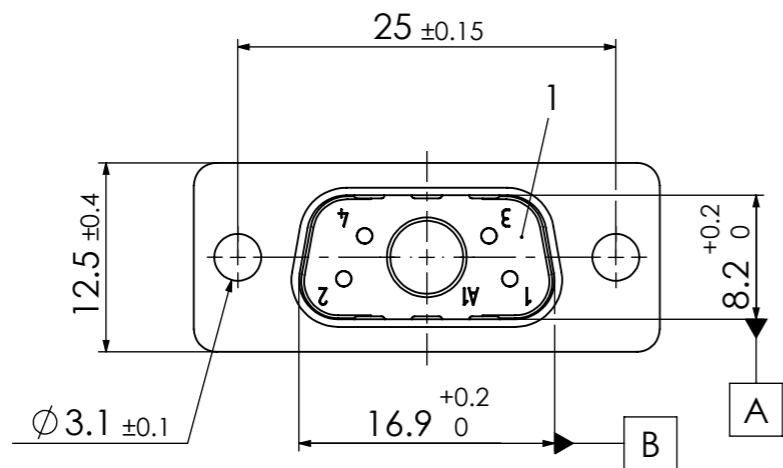


RoHS compliant
by exemption



⊕ ⊙0.1 A B

3	4	Signal contact	P0 / Brass	AuroPur / AWG 20
2	1	Shell	Steel	tin plated
1	1	Insulator	PBT (-55°C to +130°C) acc. UL94V-0	green
No.	St.	Part	Type Description/Material	Surface plating/Colour/Class

FUNCTIONAL SYMBOLS ▽ = 0 ▽ = 0 ▽ = 0					THIS DRAWING CONTAINS INFORMATION THAT IS PROPRIETARY TO MOLEX ELECTRONIC TECHNOLOGIES, LLC AND SHOULD NOT BE USED WITHOUT WRITTEN PERMISSION					
DIMENSION UNITS		SCALE		MEASUREMENTS WITHOUT TOLERANCE ACC. TO						
mm		2:1		ISO 2768-mK						
CURRENT REVISION							FCT D-Sub Mixed-Layout Connector PRODUCT CUSTOMER DRAWING			
DRWN: DRAWN BY		mteubel		09-01-2024						
APPR: APPR BY		msteinbrueck		12-01-2024						
INITIAL REVISION							MATERIAL NUMBER 1731070115			
DRWN: DRAWN BY		sschref		07-09-2015						
APPR: APPR BY		sschref		07-09-2015						
REPLACEMENT FOR:		FRIST ANGLE PROJECTION		DRAWING		DOCUMENT NUMBER		CUSTOMER		
1731070115_Rev.A1				A3-SIZE		FM5W1PA-K120		GENERAL MARKET		
							REVISION		SHEET NUMBER	
							3		1 OF 1	

COMMENT:
ALL RIGHTS ARE RESERVED BY US FOR THIS DRAWING. WITHOUT OUR PRIOR CONSENT,
IT MAY NEITHER BE DUPLICATED NOR MADE AVAILABLE TO A THIRD PARTY.
AND IT ALSO MAY NOT BE IMPROPERLY USED BY THE RECEIVER, OR A THIRD PARTY.