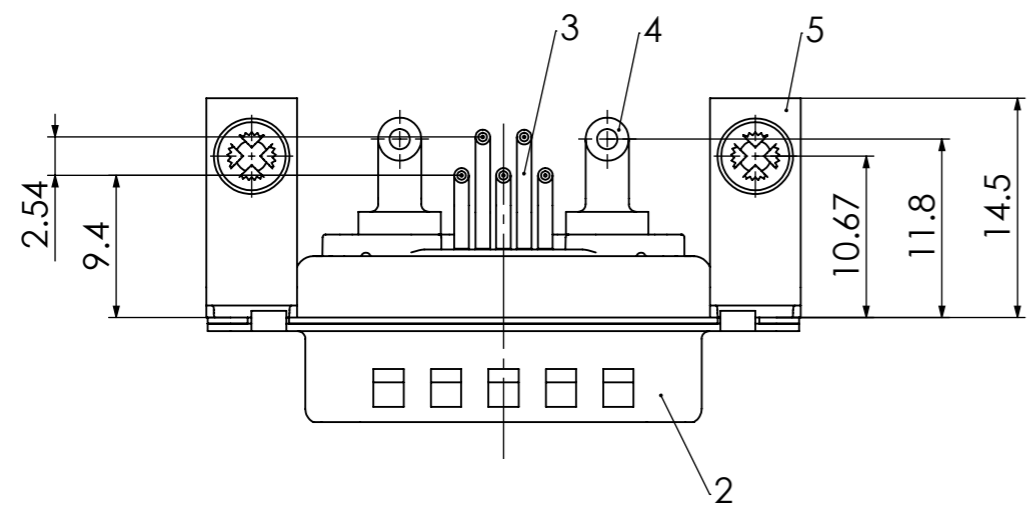
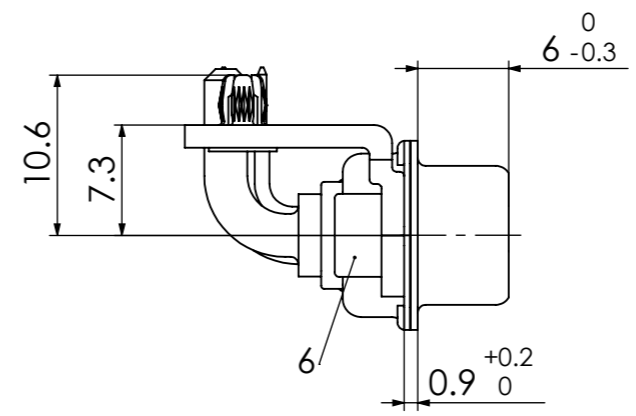
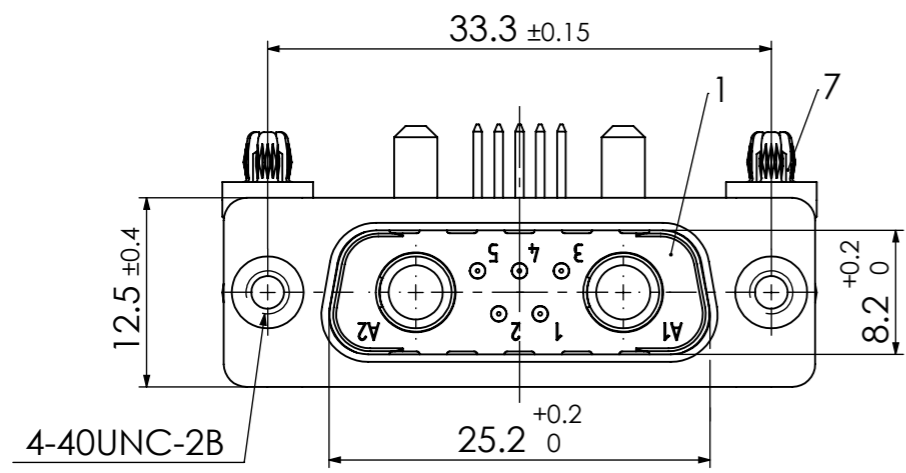
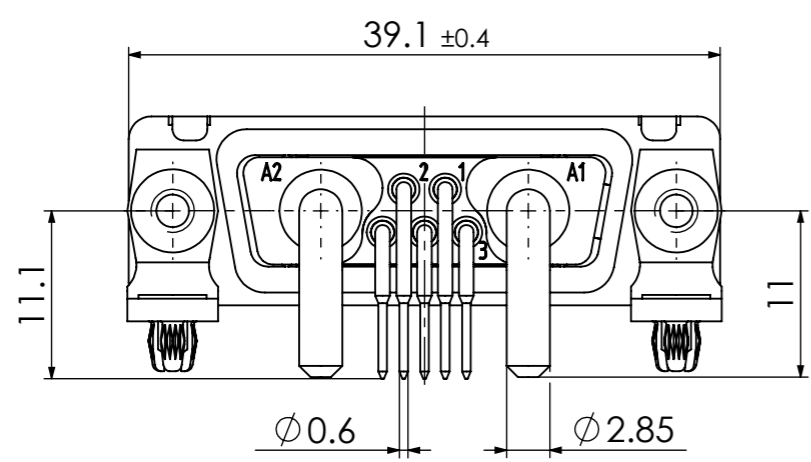
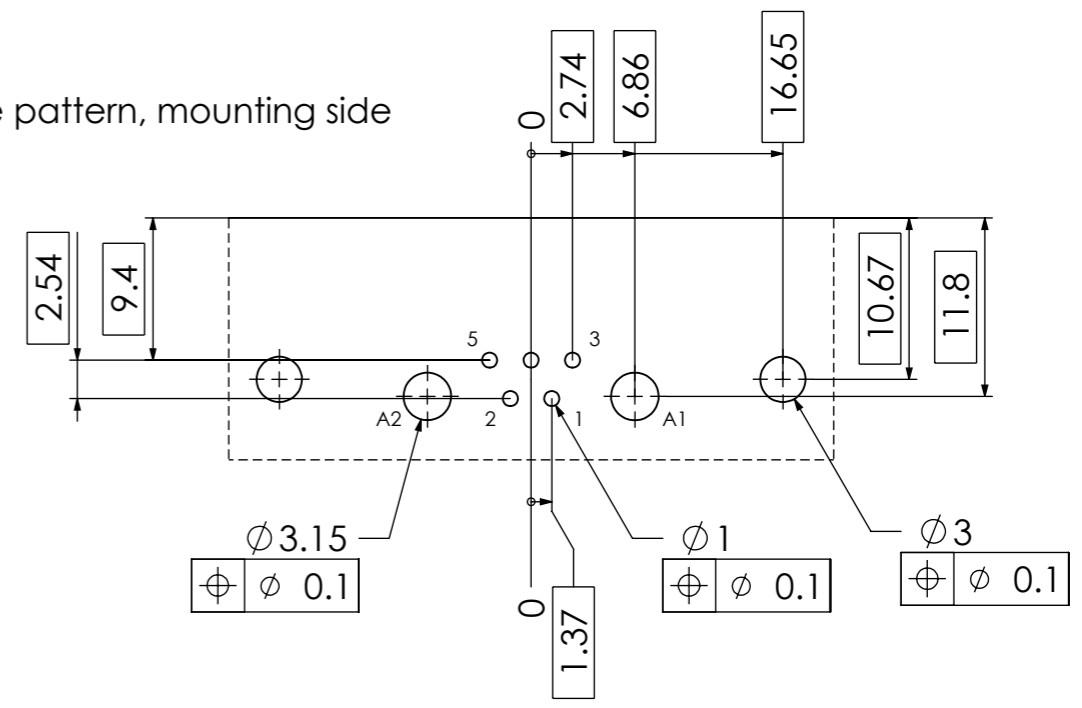


RoHS compliant
by exemption



PCB hole pattern, mounting side



7	2	Snap-in rivet	PCB 1.6mm / Brass	tin plated
6	2	Clinch nut	MW 4-40 / Steel	tin plated
5	2	Bracket	F1080-13B / Steel	tin plated
4	2	High power contact	FMP008P104R	20A
3	5	Signal contact	P5 / Brass	0.8µm Au
2	1	Shell	Steel	tin plated
1	1	Insulator	PBT (-55°C to +130°C) acc. UL94V-0	green
No.	St.	Part	Type Description/Material	Surface plating/Colour/Class

COMMENT: ALL RIGHTS ARE RESERVED BY US FOR THIS DRAWING. WITHOUT OUR PRIOR CONSENT, IT MAY NEITHER BE DUPLICATED NOR MADE AVAILABLE TO A THIRD PARTY. AND IT ALSO MAY NOT BE IMPROPERLY USED BY THE RECEIVER, OR A THIRD PARTY.

FUNCTIONAL SYMBOLS		THIS DRAWING CONTAINS INFORMATION THAT IS PROPRIETARY TO MOLEX ELECTRONIC TECHNOLOGIES, LLC AND SHOULD NOT BE USED WITHOUT WRITTEN PERMISSION				
▽ = 0	DIMENSION UNITS	SCALE	MEASUREMENTS WITHOUT TOLERANCE ACC. TO			CURRENT REVISION
▽ = 0	mm	2:1	ISO 2768-m	DRWN: DRAWN BY	msteinbrueck	24-08-2023
▽ = 0				APPR: APPR BY	fvetter	28-08-2023
				INITIAL REVISION		PRODUCT CUSTOMER DRAWING
	3	24410		DRWN: DRAWN BY	mpostulka	15-09-2009
	2	24193		APPR: APPR BY	birgit.rinder	16-09-2009
	1			MATERIAL NUMBER		REVISION
REV.	CH.-NO.			1731070551		3
REPLACEMENT FOR:		FRIST ANGLE PROJECTION	DRAWING	DOCUMENT NUMBER		CUSTOMER
1731070551_Rev. A1			A3-SIZE	FM7W2P5-1343		GENERAL MARKET
				SHEET NUMBER		1 OF 1