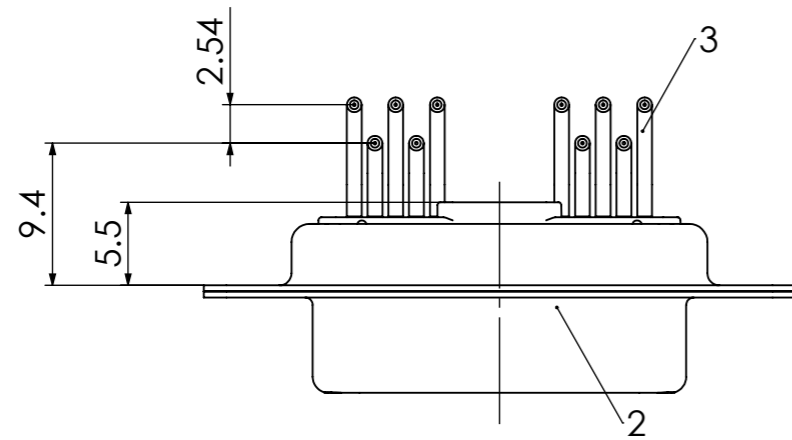
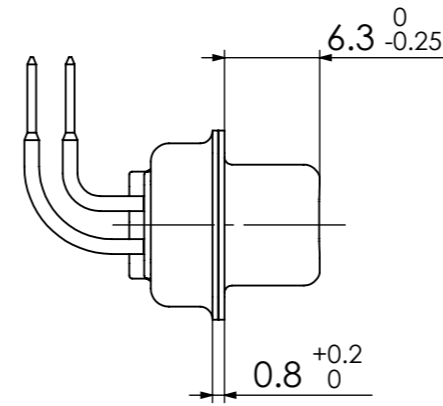
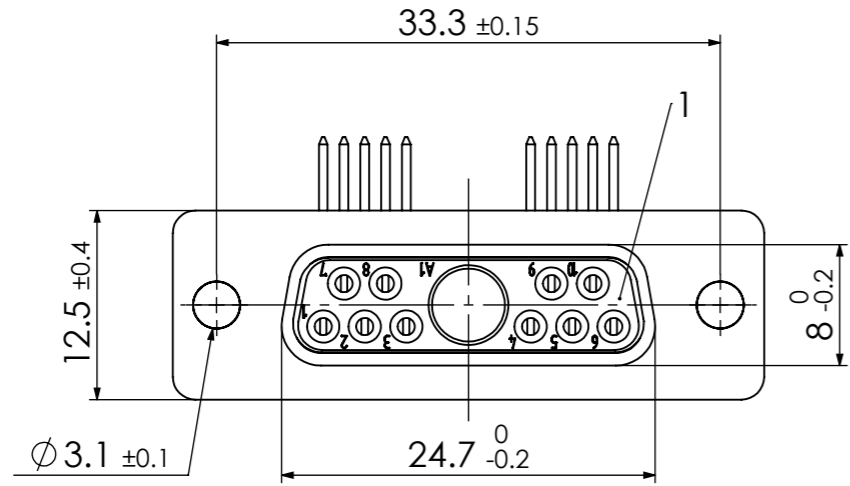
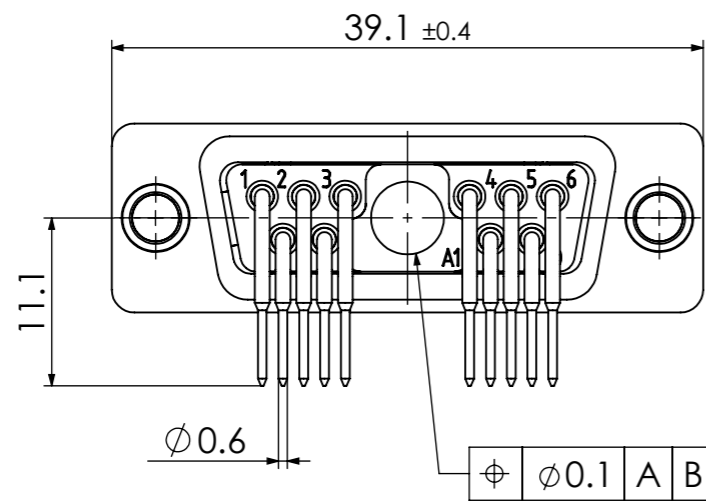
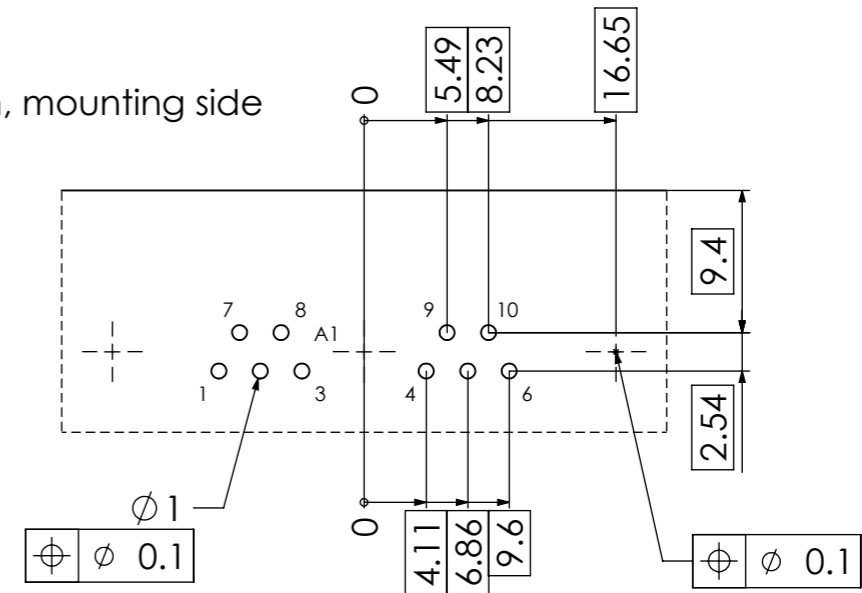


RoHS compliant  
by exemption



PCB hole pattern, mounting side



3	10	Signal contact	S5 / Brass	0.8µm Au
2	1	Shell	Steel	tin plated
1	1	Insulator	PBT (-55°C to +130°C) acc. UL94V-0	green
No.	St.	Part	Type Description/Material	Surface plating/Colour/Class

FUNCTIONAL SYMBOLS ▽ = 0 ▽ = 0 ▽ = 0					THIS DRAWING CONTAINS INFORMATION THAT IS PROPRIETARY TO MOLEX ELECTRONIC TECHNOLOGIES, LLC AND SHOULD NOT BE USED WITHOUT WRITTEN PERMISSION				
DIMENSION UNITS		SCALE		MEASUREMENTS WITHOUT TOLERANCE ACC. TO ISO 2768-m					
mm		2:1							
CURRENT REVISION					PRODUCT CUSTOMER DRAWING				
DRWN: DRAWN BY			msteinbrueck		01-08-2023		MATERIAL NUMBER <b>1731070601</b>		
APPR: APPR BY			msteinbrueck		01-08-2023				
INITIAL REVISION					REVISION				
DRWN: DRAWN BY			ADenzinger		18-07-2006		DOCUMENT NUMBER <b>FM11W1S5-K121</b>		
APPR: APPR BY			sschref		19-07-2006				
REPLACEMENT FOR:		FIRST ANGLE PROJECTION		DRAWING		CUSTOMER		SHEET NUMBER	
1731070601_Rev. A				A3-SIZE		GENERAL MARKET		1 OF 1	

COMMENT:  
ALL RIGHTS ARE RESERVED BY US FOR THIS DRAWING. WITHOUT OUR PRIOR CONSENT, IT MAY NEITHER BE DUPLICATED NOR MADE AVAILABLE TO A THIRD PARTY. AND IT ALSO MAY NOT BE IMPROPERLY USED BY THE RECEIVER, OR A THIRD PARTY.