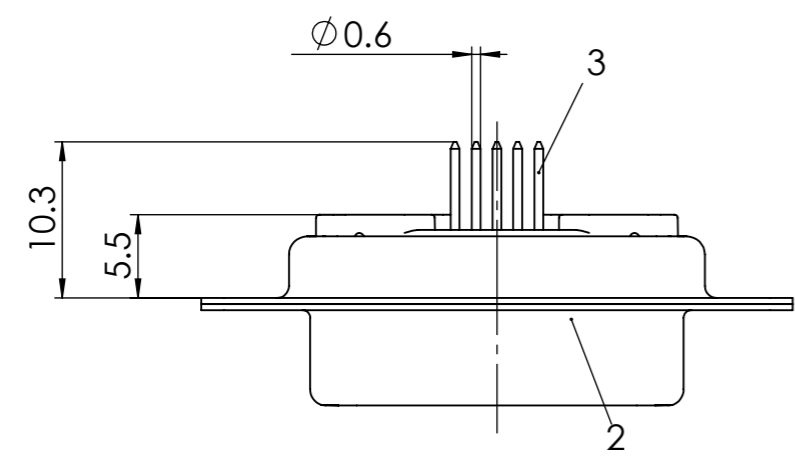
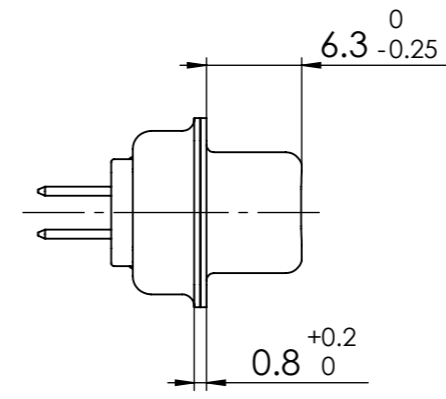
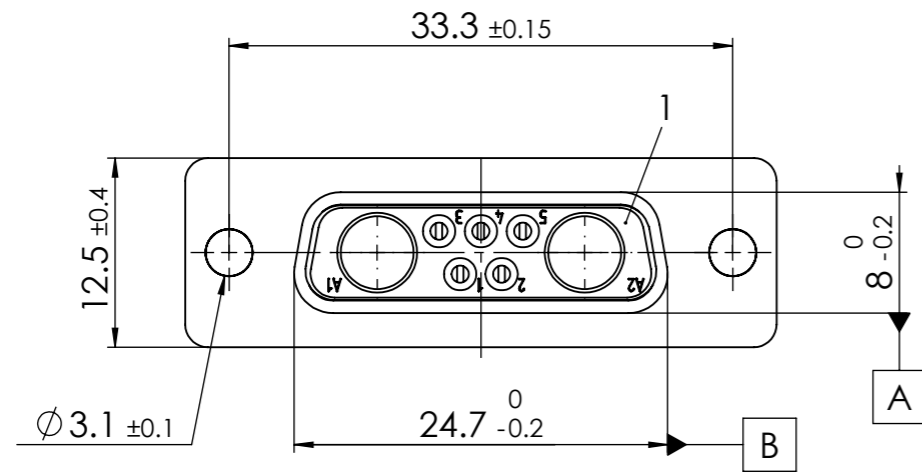
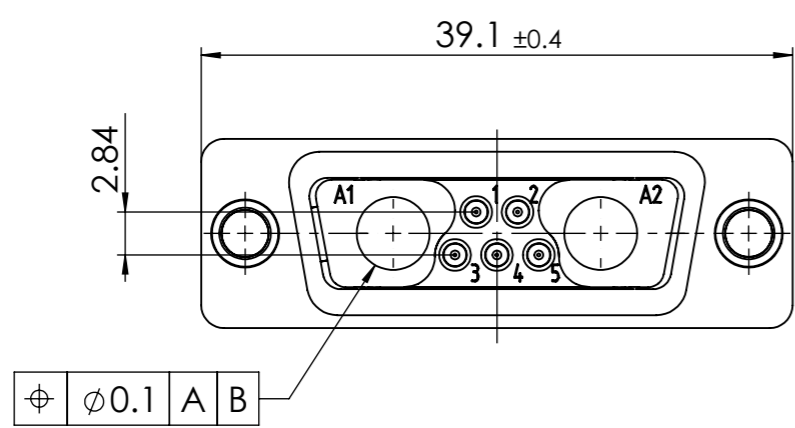
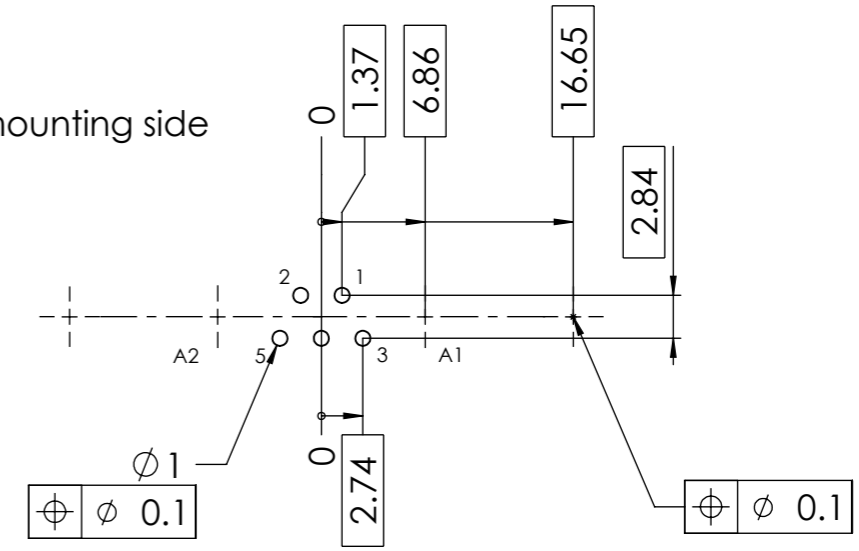


RoHS compliant  
by exemption



PCB hole pattern, mounting side



3	5	Signal contact	S1 / Brass	AuroPur
2	1	Shell	Steel	tin plated
1	1	Insulator	PBT (-55°C to +130°C) acc. UL94V-0	green
No.	St.	Part	Type Description/Material	Surface plating/Colour/Class

FUNCTIONAL SYMBOLS ▽ = 0 ▽ = 0 ▽ = 0					THIS DRAWING CONTAINS INFORMATION THAT IS PROPRIETARY TO MOLEX ELECTRONIC TECHNOLOGIES, LLC AND SHOULD NOT BE USED WITHOUT WRITTEN PERMISSION					
DIMENSION UNITS		SCALE		MEASUREMENTS WITHOUT TOLERANCE ACC. TO						
mm		2:1		ISO 2768-m						
CURRENT REVISION					PRODUCT CUSTOMER DRAWING					
DRWN: DRAWN BY		msteinbrueck		08-08-2023		FCT D-Sub Mixed-Layout Connector				
APPR: APPR BY		fvetter		17-08-2023		MATERIAL NUMBER				
3		24410				1731071295				
2		24130				REVISION				
1						3				
REV.		CH.-NO.		DRWN: DRAWN BY		MTeubel		05-04-2012		
				APPR: APPR BY		aschiekofer		05-04-2012		
REPLACEMENT FOR:			FRIST ANGLE PROJECTION		DRAWING		DOCUMENT NUMBER		CUSTOMER	
1731071295_Rev. A1					A3-SIZE		FM7W2S1A-K121		GENERAL MARKET	
									SHEET NUMBER	
									1 OF 1	

COMMENT: ALL RIGHTS ARE RESERVED BY US FOR THIS DRAWING. WITHOUT OUR PRIOR CONSENT, IT MAY NEITHER BE DUPLICATED NOR MADE AVAILABLE TO A THIRD PARTY. AND IT ALSO MAY NOT BE IMPROPERLY USED BY THE RECEIVER, OR A THIRD PARTY.