

4

3

2

1

THIS DRAWING IS UNPUBLISHED.

RELEASED FOR PUBLICATION

20

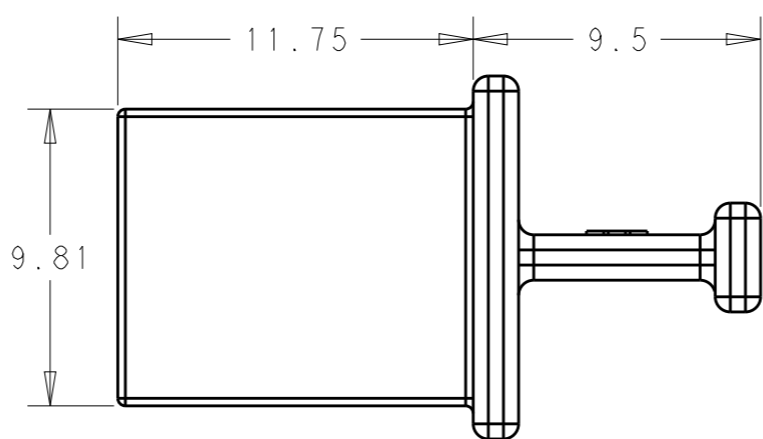
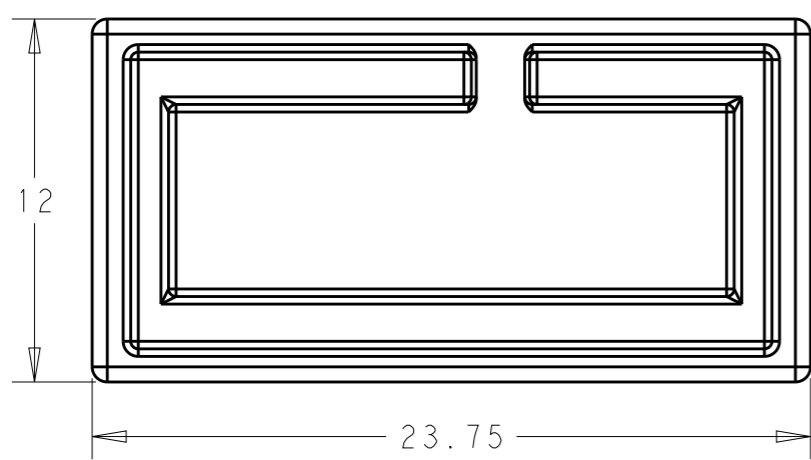
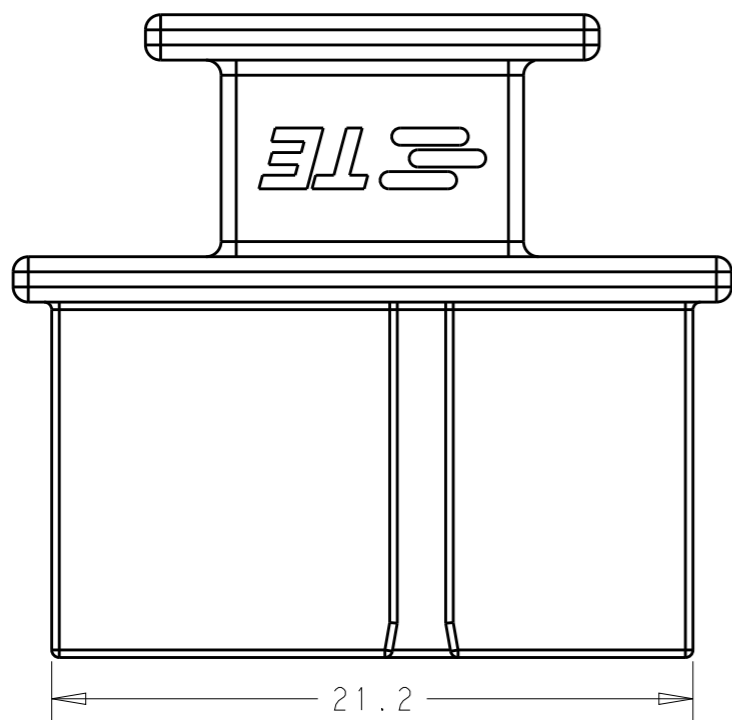
© COPYRIGHT 20 BY -

ALL RIGHTS RESERVED.

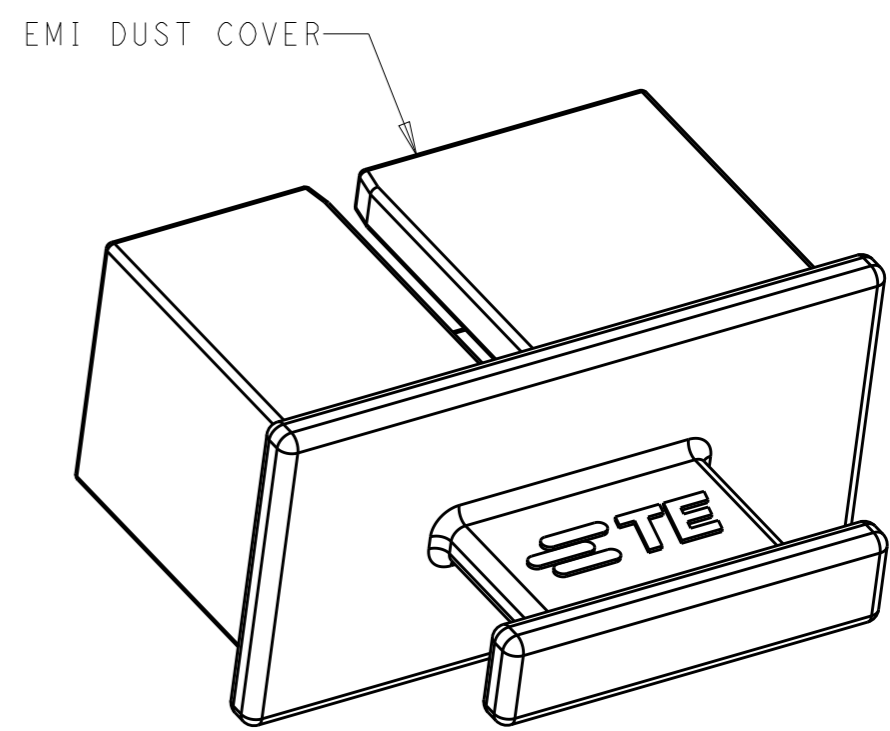
LOC GP DIST 00

REVISIONS

P	LTR	DESCRIPTION	DATE	DWN	APVD
	A	RELEASED ECI-14-002400	24MAR2014	LAW	SB



- 1 ZINC ALLOY
- 2 1.27µm MIN NICKEL PLATE OVER  
5.08µm MIN COPPER UNDERPLATE



2149126-3  
SCALE 4:1

2149126-3

PART  
NUMBER

THIS DRAWING IS A CONTROLLED DOCUMENT.

DIMENSIONS: mm		TOLERANCES UNLESS OTHERWISE SPECIFIED:	
		0 PLC	±0.1
		1 PLC	±0.1
		2 PLC	±0.1
		3 PLC	±0.1
		4 PLC	±0.1
MATERIAL		FINISH	
1		2	

DWN	M.E. COWHER	15DEC2010
CHK	M.D. MORRISON	15DEC2010
APVD	M.D. MORRISON	15DEC2010
PRODUCT SPEC	-	
APPLICATION SPEC	-	
WEIGHT	-	
Customer Drawing		

		TE Connectivity	
		NAME DUST COVER, EMI CXP	
SIZE	CAGE CODE	DRAWING NO	RESTRICTED TO
A3	00779	C-2149126	-
SCALE 4:1		SHEET 1 OF 1	REV A