

# FLKMS 14/ 8IM/LA/PLC - Passive module

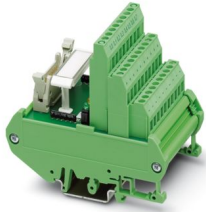


2284536

<https://www.phoenixcontact.com/us/products/2284536>

Please be informed that the data shown in this PDF document is generated from our online catalog. Please find the complete data in the user documentation. Our general terms of use for downloads are valid.

VARIOFACE sensor module, for connecting 8 p-n-p sensors, with LED



## Commercial data

Item number	2284536
Packing unit	5 pc
Minimum order quantity	1 pc
Note	Made to order (non-returnable)
Sales key	C421
Product key	CK2181
Catalog page	Page 204 (IF-2007)
GTIN	4017918055707
Weight per piece (including packing)	160.8 g
Weight per piece (excluding packing)	160.8 g
Customs tariff number	85369010
Country of origin	DE

# FLKMS 14/ 8IM/LA/PLC - Passive module



2284536

<https://www.phoenixcontact.com/us/products/2284536>

## Technical data

### Product properties

Product type	Interface module
Product family	VARIOFACE
Number of positions	14
No. of channels	8

### Data management status

Article revision	10
------------------	----

### Insulation characteristics: Air clearances and creepage distances

Insulation	Functional insulation
Overvoltage category	II
Pollution degree	2

### Electrical properties

Operating voltage range	19.2 V DC ... 26.4 V DC
Current (per branch)	≤ 1 A
Current (Voltage supply)	≤ 3 A

### Air clearances and creepage distances

Rated insulation voltage	63 V
Rated surge voltage	0.6 kV (1.2/50 μs)

### Supported controller ABB S800 I/O

Suitable I/O card	DI810
	DI818
	DI830
	DI840
	DO810
	DO840

### Supported controller SIEMENS S7-400

Suitable I/O card	6ES7421-1BL01-0AA0
	6ES7422-1BL00-0AA0
	6ES7422-7BL00-0AB0

### Supported controller GE-FANUC 90-30

Suitable I/O card	IC693 MDL241
	IC693 MDL634
	IC693 MDL634
	IC693 MDL646
	IC693 MDL732
	IC693 MDL740
	IC693 MDL742

# FLKMS 14/ 8IM/LA/PLC - Passive module



2284536

<https://www.phoenixcontact.com/us/products/2284536>

## Supported controller ALLEN-BRADLEY ControlLogix

Suitable I/O card	1756-IB32
	1756-OB32
	1756-IB16
	1756-OB16E

## Supported controller ALLEN-BRADLEY PLC 5

Suitable I/O card	1771 IBN
	1771 OBN

## Supported controller ALLEN-BRADLEY SLC 500

Suitable I/O card	1746 OB16
	1746 IB16
	1746 ITB16
	1746 IN16
	1746 OB 32
	1746 IB 32

## Supported controller HONEYWELL Experion PKS C200

Suitable I/O card	TC-IDD 321
	TC-ODD 321

## Supported controller MITSUBISHI MELSEC Q

Suitable I/O card	QX81
	QY81P

## Supported controller SCHNEIDER ELECTRIC Modicon TSX QUANTUM

Suitable I/O card	DDI 353
	DDI 853
	DDO 353

## Supported controller SIEMENS S7-300 / ET 200 M

Suitable I/O card	CPU 313C-2DP
	CPU 314C-2DP
	CPU 314C-2PtP
	6ES7321-1BH02-0AA0
	6ES7321-1BL00-0AA0
	6ES7322-1BH01-0AA0
	6ES7322-1BL00-0AA0
	6ES7323-1BH01-0AA0
	6ES7323-1BL00-0AA0
	6ES7321-1BH10-0AA0
	6ES7322-1BH10-0AA0
	CPU 313C
	CPU 313C-2PtP

# FLKMS 14/ 8IM/LA/PLC - Passive module



2284536

<https://www.phoenixcontact.com/us/products/2284536>

## Connection data

### Connection 1 (control level)

Connection in acc. with standard	IEC 60603-13
Connection method	IDC/FLK pin strip
Number of connections	1
Number of positions	14
Insertion/withdrawal cycles	> 50
Pitch	2.54 mm

### Connection 2 (field level)

Connection method	Screw connection
Stripping length	7 mm
Screw thread	M3
Number of positions	28
Conductor cross section rigid	0.2 mm <sup>2</sup> ... 4 mm <sup>2</sup>
Conductor cross-section rigid (2 conductors with same cross section)	0.2 mm <sup>2</sup> ... 1.5 mm <sup>2</sup>
Conductor cross section flexible	0.2 mm <sup>2</sup> ... 2.5 mm <sup>2</sup>
	0.25 mm <sup>2</sup> ... 1.5 mm <sup>2</sup> (Ferrule without plastic sleeve)
	0.25 mm <sup>2</sup> ... 2.5 mm <sup>2</sup> (Ferrule with plastic sleeve)
Conductor cross section flexible (2 conductors with same cross section)	0.2 mm <sup>2</sup> ... 1.5 mm <sup>2</sup>
	0.2 mm <sup>2</sup> ... 0.75 mm <sup>2</sup> (Ferrule without plastic sleeve)
	0.5 mm <sup>2</sup> ... 0.5 mm <sup>2</sup> (TWIN ferrule with plastic sleeve)
Conductor cross section AWG	24 ... 12
Tightening torque	0.5 Nm ... 0.6 Nm
Pitch	5.08 mm

## Signaling

Status display	LED (yellow)
Status display present	Yes
Operating voltage display	Green LED

## Dimensions

### Item dimensions

Width	57 mm
Height	89.6 mm
Depth	79.4 mm

## Material specifications

Color	green (RAL 6021)
Housing insulation material	Polyamide 6 green

## Environmental and real-life conditions

# FLKMS 14/ 8IM/LA/PLC - Passive module



2284536

<https://www.phoenixcontact.com/us/products/2284536>

## Ambient conditions

Degree of protection (Module)	IP00
Degree of protection (Installation location)	≥ IP54
Ambient temperature (operation)	-20 °C ... 50 °C
Ambient temperature (storage/transport)	-20 °C ... 70 °C
Altitude	≤ 2000 m

## Approvals

### UKCA

Certificate	UKCA-compliant
-------------	----------------

## Standards and regulations

### Air clearances and creepage distances

Standards/regulations	EN IEC 60664-1
-----------------------	----------------

## Mounting

Mounting type	DIN rail mounting
Mounting position	any

## Notes

Notes on operation	For proper use, the specifications of the installation directive (see Downloads) must be observed. For applications or use with third-party products, the specifications, and the safety and warning instructions of the respective third-party manufacturer must also be met.
--------------------	--------------------------------------------------------------------------------------------------------------------------------------------------------------------------------------------------------------------------------------------------------------------------------

# FLKMS 14/ 8IM/LA/PLC - Passive module

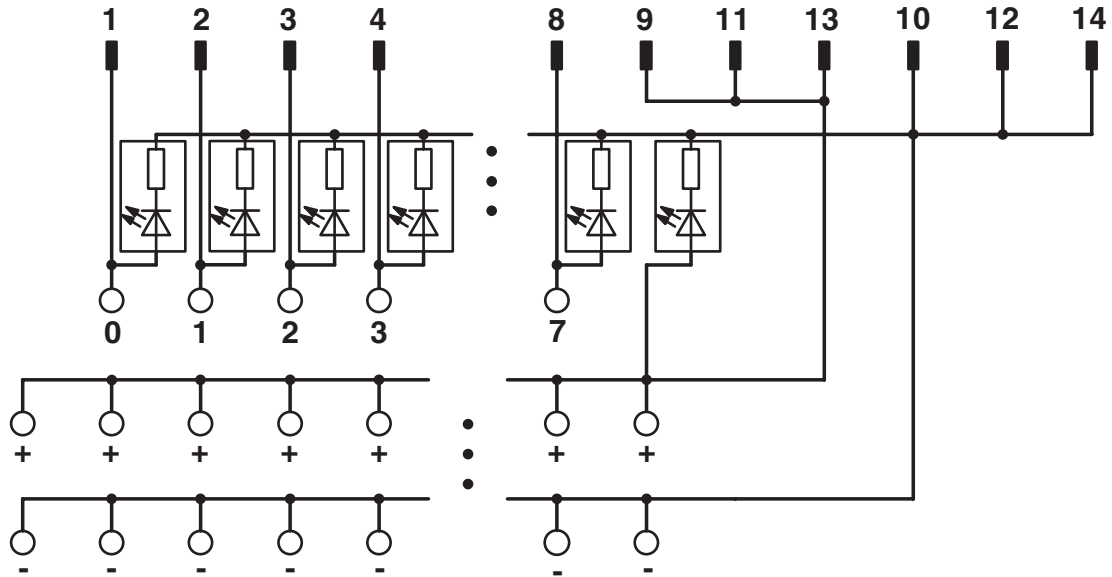


2284536

<https://www.phoenixcontact.com/us/products/2284536>

## Drawings

Circuit diagram



# FLKMS 14/ 8IM/LA/PLC - Passive module





2284536

<https://www.phoenixcontact.com/us/products/2284536>

## Approvals

To download certificates, visit the product detail page: <https://www.phoenixcontact.com/us/products/2284536>

 <b>cUL Recognized</b> Approval ID: E238705				
	Nominal voltage $U_N$	Nominal current $I_N$	Cross section AWG	Cross section $mm^2$
	24 V	2 A	-	-

 <b>UL Recognized</b> Approval ID: E238705				
	Nominal voltage $U_N$	Nominal current $I_N$	Cross section AWG	Cross section $mm^2$
	24 V	2 A	-	-

**cULus Recognized**

# FLKMS 14/ 8IM/LA/PLC - Passive module



2284536

<https://www.phoenixcontact.com/us/products/2284536>

## Classifications

### ECLASS

ECLASS-11.0	27141152
ECLASS-13.0	27141152
ECLASS-12.0	27141152

### ETIM

ETIM 9.0	EC002780
----------	----------

### UNSPSC

UNSPSC 21.0	39121400
-------------	----------

2284536

<https://www.phoenixcontact.com/us/products/2284536>

## Environmental product compliance

### EU RoHS

Fulfills EU RoHS substance requirements	Yes
Exemption	7(c)-I

### China RoHS

Environment friendly use period (EFUP)	EFUP-50
	An article-related China RoHS declaration table can be found in the download area for the respective article under "Manufacturer declaration". For all articles with EFUP-E, no China RoHS declaration table issued and required.

### EU REACH SVHC

REACH candidate substance (CAS No.)	Hexahydromethylphthalic anhydride(CAS: n/a)
SCIP	5b7d29e6-d9fd-4fc2-83b1-c342a0da76ae

Phoenix Contact 2024 © - all rights reserved

<https://www.phoenixcontact.com>

Phoenix Contact USA  
 586 Fulling Mill Road  
 Middletown, PA 17057, United States  
 (+717) 944-1300  
[info@phoenixcon.com](mailto:info@phoenixcon.com)