

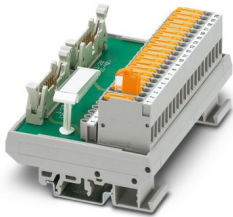
FLKM-2FLK14/KDS3-MT/PPA/S7 - Passive module



2295062

<https://www.phoenixcontact.com/us/products/2295062>

Please be informed that the data shown in this PDF document is generated from our online catalog. Please find the complete data in the user documentation. Our general terms of use for downloads are valid.



VARIOFACE termination board for Siemens SIMATIC® S7-300, for max. 16 channels with SIMATIC®-specific marking (1-20), knife-disconnect terminal block, and test pick-off, module width: 113 mm

Your advantages

- Numerical labeling (1 - 20)
- Specifically for S7-300 (in conjunction with the FLKM 14-PA-S300 front adapter, Item No. 2299770)

Commercial data

| | |
|--------------------------------------|---------------------|
| Item number | 2295062 |
| Packing unit | 1 pc |
| Minimum order quantity | 1 pc |
| Sales key | C421 |
| Product key | CK218S |
| Catalog page | Page 507 (C-5-2019) |
| GTIN | 4017918339982 |
| Weight per piece (including packing) | 261.3 g |
| Weight per piece (excluding packing) | 251.8 g |
| Customs tariff number | 85369010 |
| Country of origin | DE |

2295062

<https://www.phoenixcontact.com/us/products/2295062>

Technical data

Product properties

| | |
|---------------------|------------------|
| Product type | Interface module |
| Product family | VARIOFACE |
| Number of positions | 14 |
| No. of channels | 2 |
| | 4 |
| | 6 |
| | 8 |
| | 16 |

Data management status

| | |
|------------------|----|
| Article revision | 10 |
|------------------|----|

Insulation characteristics: Air clearances and creepage distances

| | |
|----------------------|-----------------------|
| Insulation | Functional insulation |
| Overvoltage category | II |
| Pollution degree | 2 |

Electrical properties

| | |
|--------------------------|-----------|
| Operating voltage (DC) | ≤ 60 V DC |
| Current (per branch) | ≤ 1 A |
| Current (Voltage supply) | ≤ 3 A |

Air clearances and creepage distances

| | |
|--------------------------|--------------------|
| Rated insulation voltage | 63 V |
| Rated surge voltage | 0.6 kV (1.2/50 μs) |

Supported controller GE-FANUC 90-30

| | |
|-------------------|--------------|
| Suitable I/O card | IC693 MDL732 |
| | IC693 MDL733 |
| | IC693 MDL740 |
| | IC693 MDL741 |
| | IC693 MDL742 |
| | IC693 ALG220 |
| | IC693 ALG221 |
| | IC693 ALG222 |
| | IC693 ALG223 |
| | IC693 ALG390 |
| | IC693 ALG391 |
| | IC693 ALG392 |
| | IC693 ALG442 |

Supported controller SIEMENS S7-300 / ET 200 M

FLKM-2FLK14/KDS3-MT/PPA/S7 - Passive module



2295062

<https://www.phoenixcontact.com/us/products/2295062>

| | |
|-------------------|--------------------|
| Suitable I/O card | CPU 312C |
| | CPU 313C-2DP |
| | CPU 314C-2PiP |
| | 6ES7321-1BH50-0AA0 |
| | 6ES7321-7BH01-0AB0 |
| | 6ES7321-1BH02-0AA0 |
| | 6ES7321-1BL00-0AA0 |
| | 6ES7322-1BH01-0AA0 |
| | 6ES7322-8BF00-0AB0 |
| | 6ES7322-1BL00-0AA0 |
| | 6ES7323-1BH01-0AA0 |
| | 6ES7323-1BL00-0AA0 |
| | 6ES7331-7KF02-0AB0 |
| | 6ES7331-7KB02-0AB0 |
| | 6ES7331-7NF00-0AB0 |
| | 6ES7331-7PF01-0AB0 |
| | 6ES7331-7PF11-0AB0 |
| | 6ES7332-5HD01-0AB0 |
| | 6ES7332-5HB01-0AB0 |
| | 6ES7332-7ND02-0AB0 |
| | 6ES7334-0CE01-0AA0 |
| | 6ES7334-0KE00-0AB0 |
| | 6ES7335-7HG01-0AB0 |
| | 6ES7335-7HG01-0AB0 |
| | 6ES7338-4BC01-0AB0 |
| | 6ES7350-1AH03-0AE0 |
| | 6ES7350-2AH01-0AE0 |
| | 6ES7351-1AH01-0AE0 |
| | 6ES7352-1AH02-0AE0 |
| | 6ES7353-1AH01-0AE0 |
| | 6ES7354-1AH01-0AE0 |
| | 6ES7355-0VH10-0AE0 |
| | 6ES7355-1VH10-0AE0 |
| | 6ES7357-4AH01-0AE0 |
| | 6ES7321-7BH01-0AB0 |
| | 6ES7321-1BH10-0AA0 |
| | 6ES7322-1BH10-0AA0 |
| | CPU 313C |
| | CPU 313C-2PiP |
| | 6ES7336-4GE00-0AB0 |

Connection data

Connection 1 (control level)

FLKM-2FLK14/KDS3-MT/PPA/S7 - Passive module



2295062

<https://www.phoenixcontact.com/us/products/2295062>

| | |
|----------------------------------|-------------------|
| Connection in acc. with standard | IEC 60603-13 |
| Connection method | IDC/FLK pin strip |
| Number of connections | 2 |
| Number of positions | 14 |
| Insertion/withdrawal cycles | > 50 |
| Pitch | 2.54 mm |

Connection 2 (field level)

| | |
|---|--|
| Connection method | Screw connection with disconnect knife |
| Stripping length | 8 mm |
| Screw thread | M3 |
| Number of positions | 20 |
| Conductor cross section rigid | 0.2 mm ² ... 4 mm ² |
| Conductor cross-section rigid (2 conductors with same cross section) | 0.2 mm ² ... 1 mm ² |
| Conductor cross section flexible | 0.2 mm ² ... 4 mm ² |
| | 0.25 mm ² ... 2.5 mm ² (Ferrule without plastic sleeve) |
| | 0.25 mm ² ... 1.5 mm ² (Ferrule with plastic sleeve) |
| Conductor cross section flexible (2 conductors with same cross section) | 0.2 mm ² ... 1 mm ² |
| | 0.25 mm ² ... 0.75 mm ² (Ferrule without plastic sleeve) |
| | 0.5 mm ² ... 1 mm ² (TWIN ferrule with plastic sleeve) |
| Conductor cross section AWG | 24 ... 12 |
| Tightening torque | 0.5 Nm ... 0.6 Nm |
| Pitch | 5.08 mm |

Connection 3 (field level)

| | |
|---------------------|-------------|
| Connection method | Test socket |
| Number of positions | 20 |

Signaling

| | |
|------------------------|----|
| Status display present | No |
|------------------------|----|

Dimensions

Item dimensions

| | |
|--------|----------|
| Width | 112.3 mm |
| Height | 79.35 mm |
| Depth | 51.48 mm |

Material specifications

| | |
|-----------------------------|-----------------|
| Color | gray (RAL 7042) |
| Housing insulation material | PVC |

Environmental and real-life conditions

Ambient conditions

| | |
|-------------------------------|------|
| Degree of protection (Module) | IP00 |
|-------------------------------|------|

FLKM-2FLK14/KDS3-MT/PPA/S7 - Passive module



2295062

<https://www.phoenixcontact.com/us/products/2295062>

| | |
|--|------------------|
| Degree of protection (Installation location) | ≥ IP54 |
| Ambient temperature (operation) | -20 °C ... 50 °C |
| Ambient temperature (storage/transport) | -20 °C ... 70 °C |
| Altitude | ≤ 2000 m |

Approvals

UKCA

| | |
|-------------|----------------|
| Certificate | UKCA-compliant |
|-------------|----------------|

Standards and regulations

Air clearances and creepage distances

| | |
|-----------------------|----------------|
| Standards/regulations | EN IEC 60664-1 |
|-----------------------|----------------|

Mounting

| | |
|-------------------|-------------------|
| Mounting type | DIN rail mounting |
| Mounting position | any |

Notes

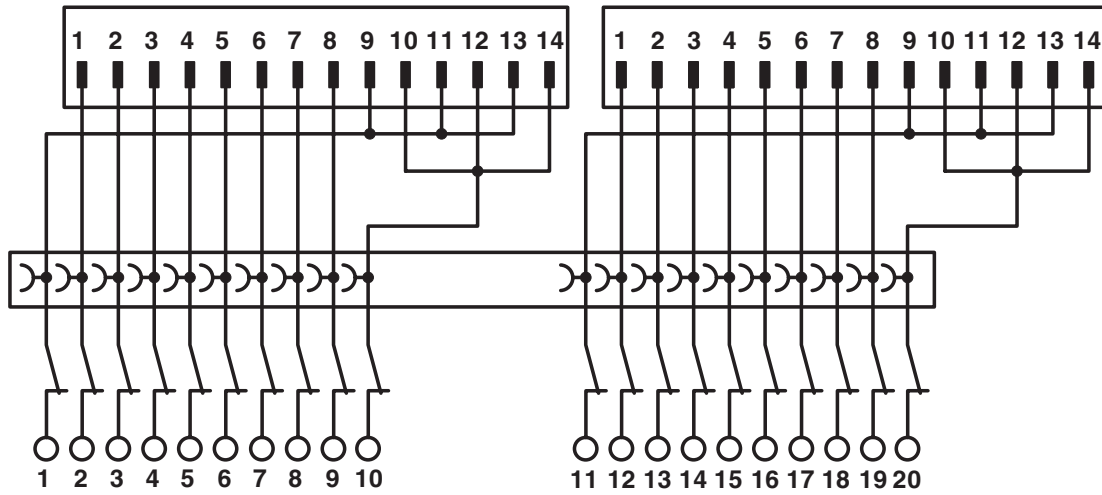
| | |
|--------------------|--|
| Notes on operation | For proper use, the specifications of the installation directive (see Downloads) must be observed. For applications or use with third-party products, the specifications, and the safety and warning instructions of the respective third-party manufacturer must also be met. |
|--------------------|--|

2295062

<https://www.phoenixcontact.com/us/products/2295062>

Drawings

Circuit diagram



FLKM-2FLK14/KDS3-MT/PPA/S7 - Passive module





2295062

<https://www.phoenixcontact.com/us/products/2295062>

Approvals

To download certificates, visit the product detail page: <https://www.phoenixcontact.com/us/products/2295062>

|  UL Listed Approval ID: E238705 | | | | |
|--|-----------------------|-----------------------|-------------------|-----------------------------|
| | Nominal voltage U_N | Nominal current I_N | Cross section AWG | Cross section mm^2 |
| | 24 V | 1 A | - | - |

|  cUL Listed Approval ID: E238705 | | | | |
|---|-----------------------|-----------------------|-------------------|-----------------------------|
| | Nominal voltage U_N | Nominal current I_N | Cross section AWG | Cross section mm^2 |
| | 24 V | 1 A | - | - |

| cULus Listed | | | | |
|---------------------|--|--|--|--|
|---------------------|--|--|--|--|

FLKM-2FLK14/KDS3-MT/PPA/S7 - Passive module



2295062

<https://www.phoenixcontact.com/us/products/2295062>

Classifications

ECLASS

| | |
|-------------|----------|
| ECLASS-11.0 | 27141152 |
| ECLASS-13.0 | 27141152 |
| ECLASS-12.0 | 27141152 |

ETIM

| | |
|----------|----------|
| ETIM 9.0 | EC002780 |
|----------|----------|

UNSPSC

| | |
|-------------|----------|
| UNSPSC 21.0 | 39121400 |
|-------------|----------|

2295062

<https://www.phoenixcontact.com/us/products/2295062>

Environmental product compliance

EU RoHS

| | |
|---|------|
| Fulfills EU RoHS substance requirements | Yes |
| Exemption | 6(c) |

China RoHS

| | |
|--|---|
| Environment friendly use period (EFUP) | EFUP-50 |
| | An article-related China RoHS declaration table can be found in the download area for the respective article under "Manufacturer declaration". For all articles with EFUP-E, no China RoHS declaration table issued and required. |

EU REACH SVHC

| | |
|-------------------------------------|--------------------------------------|
| REACH candidate substance (CAS No.) | Lead(CAS: 7439-92-1) |
| SCIP | c91ed6d0-bbd5-4d28-be1b-80c01f817c39 |

Phoenix Contact 2024 © - all rights reserved

<https://www.phoenixcontact.com>

Phoenix Contact USA
 586 Fulling Mill Road
 Middletown, PA 17057, United States
 (+717) 944-1300
info@phoenixcon.com