



TE Internal #: 2438987-3
 A, 3.1 Gen 2, Standard Profile, Receptacle, 1 Port, Top, Vertical,
 Tape & Reel, Through Hole - Solder, Cable-to-Board, 9 Position,
 USB Connectors

[View on TE.com >](#)

Connectors > Audio & Video Connectors > USB Connectors



USB Adapter Type: **A**
 USB Version: **3.1 Gen 2**
 Connector Profile: **Standard**
 Connector & Housing Type: **Receptacle**
 Number of Ports: **1**

Features

Product Type Features

USB Adapter Type	A
USB Version	3.1 Gen 2
Connector & Housing Type	Receptacle
Connector System	Cable-to-Board
Connector & Contact Terminates To	Printed Circuit Board
USB Connector Type	USB 3.0 Type-A

Body Features

Connector Profile	Standard
-------------------	----------

Configuration Features

Number of Ports	1
Number of Positions	9

Mechanical Attachment

PCB Mount Location	Top
PCB Mount Retention Type	Through Hole



Panel Mount Feature Type	Solder Mount
--------------------------	--------------

Connector Mounting Type	Board Mount
-------------------------	-------------

Housing Features

Body Orientation	Vertical
------------------	----------

	.078 in
--	---------

Packaging Features

Packaging Method	Tape & Reel
------------------	-------------

Contact Features

Contact Current Rating (Max)	1.8 A
------------------------------	-------

Termination Features

Termination Method to PCB	Through Hole - Solder
---------------------------	-----------------------

Usage Conditions

Soldering Temperature (Max)	260 °C
-----------------------------	--------

Mating Cycles (Max)	5000
---------------------	------

Operating Temperature Range	-55 – 105 °C[-67 – 221 °F]
-----------------------------	----------------------------

Operation/Application

Circuit Application	Power & Signal
---------------------	----------------

Other

EU RoHS Compliance	Compliant
--------------------	-----------

Product Compliance

[For compliance documentation, visit the product page on TE.com>](#)

EU RoHS Directive 2011/65/EU	Compliant
------------------------------	-----------

EU ELV Directive 2000/53/EC	Not Yet Reviewed
-----------------------------	------------------

China RoHS 2 Directive MIIT Order No 32, 2016	No Restricted Materials Above Threshold
---	---

EU REACH Regulation (EC) No. 1907/2006	Current ECHA Candidate List: JUNE 2024 (241) Candidate List Declared Against: JUNE 2024 (241) Does not contain REACH SVHC
--	---

Halogen Content	Low Halogen - Br, Cl, F, I < 900 ppm per homogenous material. Also BFR/CFR/PVC Free
-----------------	---

Solder Process Capability	Not reviewed for solder process capability
---------------------------	--

Product Compliance Disclaimer

This information is provided based on reasonable inquiry of our suppliers and represents our current actual knowledge based on the information they provided. This information is subject to change. The part numbers that TE has identified as EU RoHS compliant have a maximum concentration of 0.1% by weight in homogenous materials for lead, hexavalent chromium, mercury, PBB, PBDE, DBP, BBP, DEHP, DIBP, and 0.01% for cadmium, or qualify for an exemption to these limits as defined in the Annexes of Directive 2011/65/EU (RoHS2). Finished electrical and electronic equipment products will be CE marked as required by Directive 2011/65/EU. Components may not be CE marked. Additionally, the part numbers that TE has identified as EU ELV compliant have a maximum concentration of 0.1% by weight in homogenous materials for lead, hexavalent chromium, and mercury, and 0.01% for cadmium, or qualify for an exemption to these limits as defined in the Annexes of Directive 2000/53/EC (ELV). Regarding the REACH Regulations, TE's information on SVHC in articles for this part number is still based on the European Chemical Agency (ECHA) 'Guidance on requirements for substances in articles' (Version: 2, April 2011), applying the 0.1% weight on weight concentration threshold at the finished product level. TE is aware of the European Court of Justice ruling of September 10th, 2015 also known as O5A (Once An Article Always An Article) stating that, in case of 'complex object', the threshold for a SVHC must be applied to both the product as a whole and simultaneously to each of the articles forming part of its composition. TE has evaluated this ruling based on the new ECHA "Guidance on requirements for substances in articles" (June 2017, version 4.0) and will be updating its statements accordingly.

Compatible Parts



TE Part # 2-2117156-0
C/A, USB3.0 A TYPE TO A TYPE,

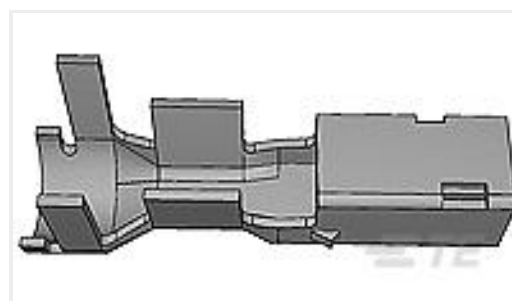
Customers Also Bought



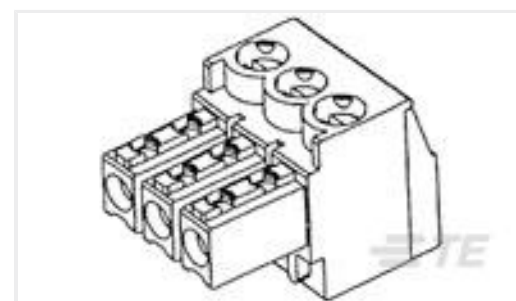
TE Part #8-215464-6
16P.MICRO-MATCH MOB



TE Part #440054-2
2.0MM,HDR,2POS,VERTICAL



TE Part #1376347-1
5MM POWER KEY CONN REC CONT
L



TE Part #284506-6
6 POS TERMI-BLOK PLUG STACK 3,
L



TE Part #234040-E
M12 FEMALE, D CODE, 4P, 17MM
SMT



TE Part #5-825433-0
PIN HEADER 50 P.



TE Part #2-6609940-0
PMOSDXHB=C3334



TE Part #1-84533-6
1.25MM FFC POST PLATED H 16P



Documents

Product Drawings

[VERT USB3.2A\(Shield leg solder\) Au30uM](#)

English

CAD Files

Customer View Model

[ENG_CVM_CVM_2438987-3_1.3d_igs.zip](#)

English

Customer View Model

[ENG_CVM_CVM_2438987-3_1.2d_dxf.zip](#)

English

[3D PDF](#)

3D

Customer View Model

[ENG_CVM_CVM_2438987-3_1.3d_stp.zip](#)

English

By downloading the CAD file I accept and agree to the [Terms and Conditions](#) of use.

Datasheets & Catalog Pages

[Vertical-USB-3.2-Gen-2-Product-Flyer](#)

English

Product Specifications

[Product Specification](#)

English

[Product Specification](#)

English