

# PLC-OSC- 24DC/230AC/2.4/ACT - Solid-state relay module



2904631

<https://www.phoenixcontact.com/us/products/2904631>

Please be informed that the data shown in this PDF document is generated from our online catalog. Please find the complete data in the user documentation. Our general terms of use for downloads are valid.



PLC-INTERFACE for output functions, consisting of PLC-BSC.../ACT basic terminal block with screw connection and integrated miniature solid-state relay, for mounting on DIN rail NS 35/7,5, 1 N/O contact, input: 24 V DC, output: 24 - 253 V AC/2.4 A

## Commercial data

Item number	2904631
Packing unit	10 pc
Minimum order quantity	1 pc
Sales key	C462
Product key	CK6224
Catalog page	Page 410 (C-5-2019)
GTIN	4046356867771
Weight per piece (including packing)	37.09 g
Weight per piece (excluding packing)	31.06 g
Customs tariff number	85364190
Country of origin	DE

# PLC-OSC- 24DC/230AC/2.4/ACT - Solid-state relay module



2904631

<https://www.phoenixcontact.com/us/products/2904631>

## Technical data

### Product properties

Product type	Solid-state relay module
Product family	PLC-INTERFACE
Application	Output function
Operating mode	100% operating factor

### Data management status

Date of last data management	16.09.2024
Article revision	03

### Insulation characteristics: Air clearances and creepage distances between the power circuits

Insulation	Basic insulation
Overvoltage category	III
Pollution degree	2

### Electrical properties

Maximum power dissipation for nominal condition	0.19 W
Test voltage (Input/output)	2.5 kV (50 Hz, 1 min., input/output)

### Air clearances and creepage distances between the power circuits

Rated insulation voltage	260 V AC
Rated surge voltage	4 kV

### Input data

Rated actuating voltage $U_C$	24 V DC
Voltage range with reference to $U_C$	0.8 ... 1.2
Rated actuating current $I_C$	8 mA
Input voltage range	19.2 V DC ... 28.8 V DC
"0" signal switching threshold in reference to $U_C$	< 0.4
"1" signal switching threshold in reference to $U_C$	> 0.8
Typical response time	10 ms (at $U_C$ )
Typical turn-off time	10 ms (at $U_C$ )
Status display	LED (yellow)
Protective circuit	Reverse polarity protection Surge protection
Surge voltage protection	> 33 V
Transmission frequency	10 Hz

### Output data

Designation	Output data
Contact switching type	1 N/O contact
Design of digital output	electronic
Contact connection type	Power contact

# PLC-OSC- 24DC/230AC/2.4/ACT - Solid-state relay module



2904631

<https://www.phoenixcontact.com/us/products/2904631>

Output voltage range	24 V AC ... 253 V AC
Limiting continuous current	2.4 A (see to derating)
Maximum inrush current	250 A (20 ms)
Min. load current	10 mA
Leakage current	< 3 mA
Max. load value	340 A <sup>2</sup> s (tp = 10 ms, at 25 °C)
Surge voltage protection	> 275 V
Voltage drop at max. limiting continuous current	< 1 V
Output circuit	2-conductor, zero voltage switch
Protective circuit	RCV circuit

## Connection data

Connection method	Screw connection
Stripping length	8 mm
Screw thread	M3
Conductor cross section rigid	0.14 mm <sup>2</sup> ... 2.5 mm <sup>2</sup>
Conductor cross section flexible	0.14 mm <sup>2</sup> ... 2.5 mm <sup>2</sup>
	0.2 mm <sup>2</sup> ... 2.5 mm <sup>2</sup> (Single ferrule)
	2x 0.5 mm <sup>2</sup> ... 1.5 mm <sup>2</sup> (TWIN ferrule)
Conductor cross section AWG	26 ... 14
Tightening torque	0.45 Nm ... 0.55 Nm (Usually these terminal blocks must be supported during conductor connection (held by one hand, supported on the housing))

## Dimensions

Width	6.2 mm
Height	80 mm
Depth	94 mm

## Material specifications

Color	gray (RAL 7042)
Flammability rating according to UL 94	V0 (Housing)

## Environmental and real-life conditions

### Ambient conditions

Degree of protection	IP20
Ambient temperature (operation)	-25 °C ... 60 °C
Ambient temperature (storage/transport)	-40 °C ... 85 °C

## Approvals

### Corrosive gas test

Identification	ISA-S71.04. G3 Harsh Group
	EN 60068-2-60

# PLC-OSC- 24DC/230AC/2.4/ACT - Solid-state relay module



2904631

<https://www.phoenixcontact.com/us/products/2904631>

## Standards and regulations

Air clearances and creepage distances between the power circuits

Standards/regulations	IEC 60947-5-1
-----------------------	---------------

## Mounting

Mounting type	DIN rail mounting
Assembly note	in rows with zero spacing
Mounting position	any

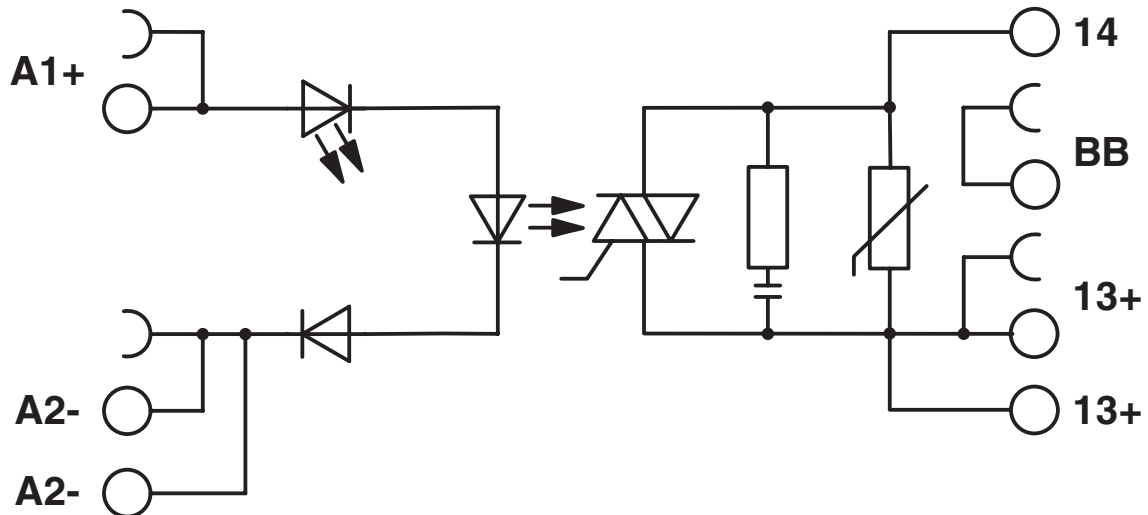
# PLC-OSC- 24DC/230AC/2.4/ACT - Solid-state relay module

2904631

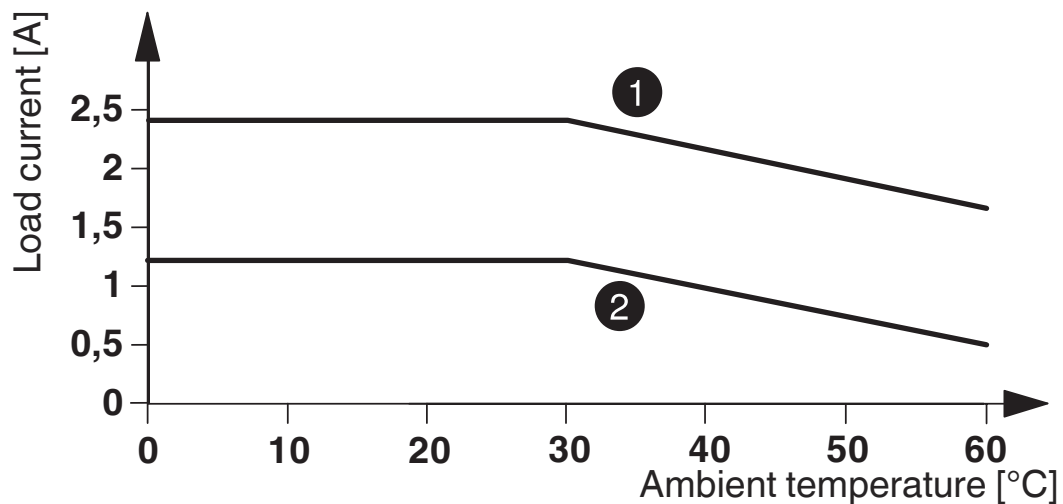
<https://www.phoenixcontact.com/us/products/2904631>

## Drawings

Circuit diagram



Diagram



- ① = aligned with > 20 mm spacing
- ② = aligned without spacing

# PLC-OSC- 24DC/230AC/2.4/ACT - Solid-state relay module



2904631

<https://www.phoenixcontact.com/us/products/2904631>

## Approvals

To download certificates, visit the product detail page: <https://www.phoenixcontact.com/us/products/2904631>



**EAC**

Approval ID: RU\*C-DE.\*08.B.00010



**cULus Listed**

Approval ID: E140324

# PLC-OSC- 24DC/230AC/2.4/ACT - Solid-state relay module



2904631

<https://www.phoenixcontact.com/us/products/2904631>

## Classifications

### ECLASS

ECLASS-11.0	27371604
ECLASS-12.0	27371604
ECLASS-13.0	27371604

### ETIM

ETIM 9.0	EC001504
----------	----------

### UNSPSC

UNSPSC 21.0	39122300
-------------	----------

# PLC-OSC- 24DC/230AC/2.4/ACT - Solid-state relay module



2904631

<https://www.phoenixcontact.com/us/products/2904631>

## Environmental product compliance

### EU RoHS

Fulfills EU RoHS substance requirements	Yes
Exemption	7(a), 7(c)-I

### China RoHS

Environment friendly use period (EFUP)	EFUP-50
	An article-related China RoHS declaration table can be found in the download area for the respective article under "Manufacturer declaration". For all articles with EFUP-E, no China RoHS declaration table issued and required.

### EU REACH SVHC

REACH candidate substance (CAS No.)	Lead(CAS: 7439-92-1)
SCIP	9abc2b93-7e1d-435d-ac60-f99d7b7dfbde

Phoenix Contact 2024 © - all rights reserved

<https://www.phoenixcontact.com>

Phoenix Contact USA  
586 Fulling Mill Road  
Middletown, PA 17057, United States  
(+717) 944-1300  
[info@phoenixcon.com](mailto:info@phoenixcon.com)