

UM-D37M/16RSC-24DC/DO/C300/L - Active module



2905655

<https://www.phoenixcontact.com/us/products/2905655>

Please be informed that the data shown in this PDF document is generated from our online catalog. Please find the complete data in the user documentation. Our general terms of use for downloads are valid.

VARIOFACE 16-channel module intended for use with Honeywell® Experion C300 24 V digital IOTA, left-hand version, 3 A, 120 V



Your advantages

- UM-PRO housing
- DIN rail mounting, includes grounding foot
- Per channel pluggable 3 A fusing
- Per channel configuration for NO or NC contacts
- Designed to be mounted on the left side of the cabinet
- LED blown fuse indication

Commercial data

Item number	2905655
Packing unit	1 pc
Minimum order quantity	1 pc
Note	Made to order (non-returnable)
Sales key	C421
Product key	CK219H
GTIN	4055626078007
Weight per piece (including packing)	660.5 g
Weight per piece (excluding packing)	190.5 g
Customs tariff number	85371098
Country of origin	US

Technical data

Product properties

Product type	Interface module
No. of channels	16
Operating mode	100% operating factor
Mechanical service life	2x 10 ⁷ cycles
With components	yes

Data management status

Article revision	01
------------------	----

Insulation characteristics

Overvoltage category	II
Pollution degree	2

Electrical properties

Supported controller HONEYWELL Experion PKS C300/C-Series

Suitable I/O card	TDOB01 (non-redundant)
	TDOB11 (redundant)
	TDOB51 (non-redundant)
	TDOB61 (redundant)

Input data

Nominal input voltage U_N	24 V DC
Input voltage range in reference to U_N	0.8 ... 1.1
Input voltage range	19.2 V DC ... 26.4 V DC
Typical input current at U_N	7 mA
Typical response time	5 ms
Typical release time	15 ms
Protective circuit	Freewheeling diode; Freewheeling diode

Output data

Switching

Contact switching type	1 changeover contact
Contact material	AgSnO
Maximum switching voltage	120 V AC/DC
Minimum switching voltage	12 V
Limiting continuous current	3 A (fuse limited)
Min. switching current	10 mA
Interrupting rating (ohmic load) max.	72 W (24 V DC)
	20 W (48 V DC)
	18 W (60 V DC)

UM-D37M/16RSC-24DC/DO/C300/L - Active module



2905655

<https://www.phoenixcontact.com/us/products/2905655>

	23 W (110 V DC)
	360 VA (120 V AC)
Error detection (line break / short-circuit)	no

Connection data

Controller level

Connection method	D-SUB connector
Number of connections	1
Number of positions	37

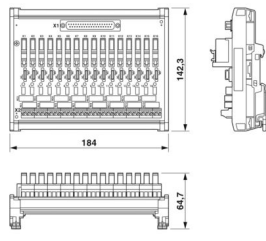
Field level

Connection method	Screw connection
Stripping length	8 mm
Screw thread	M3
Number of connections	32
Conductor cross section rigid	0.2 mm ² ... 4 mm ²
Conductor cross section flexible	0.2 mm ² ... 2.5 mm ²
Conductor cross section AWG	24 ... 12

Signaling

Status display present	Yes, if the fuse fails
------------------------	------------------------

Dimensions

Dimensional drawing	
Width	184 mm
Height	142.3 mm
Depth	64.7 mm

Environmental and real-life conditions

Ambient conditions

Degree of protection	IP20
Ambient temperature (operation)	-40 °C ... 70 °C
Ambient temperature (storage/transport)	-40 °C ... 75 °C
Altitude	< 2000 m
Permissible humidity (operation)	90 %
Permissible humidity (storage/transport)	90 %

Mounting

UM-D37M/16RSC-24DC/DO/C300/L - Active module



2905655

<https://www.phoenixcontact.com/us/products/2905655>

Mounting type	DIN rail mounting
---------------	-------------------

Notes

General	Standard or halogen-free cables
Notes on operation	For proper use, the specifications of the installation directive (see Downloads) must be observed. For applications or use with third-party products, the specifications, and the safety and warning instructions of the respective third-party manufacturer must also be met.

UM-D37M/16RSC-24DC/DO/C300/L - Active module

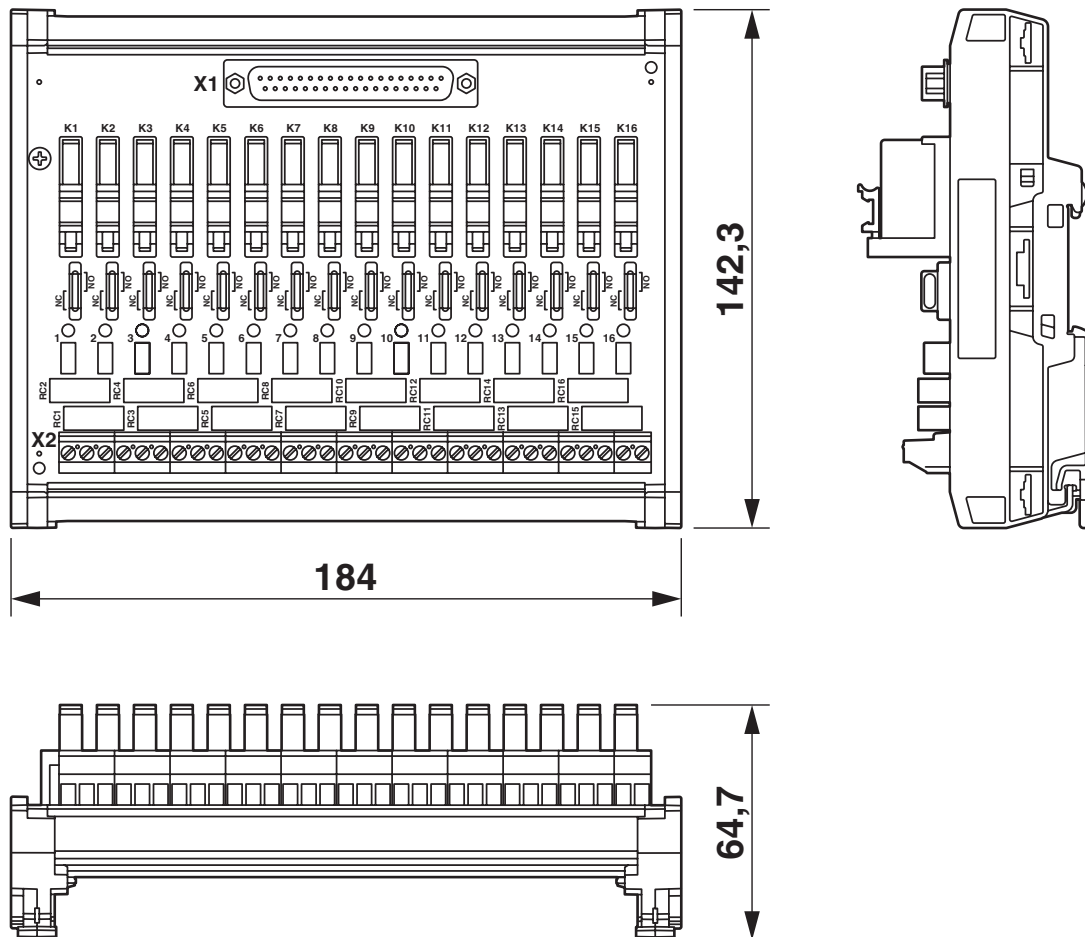


2905655

<https://www.phoenixcontact.com/us/products/2905655>

Drawings

Dimensional drawing

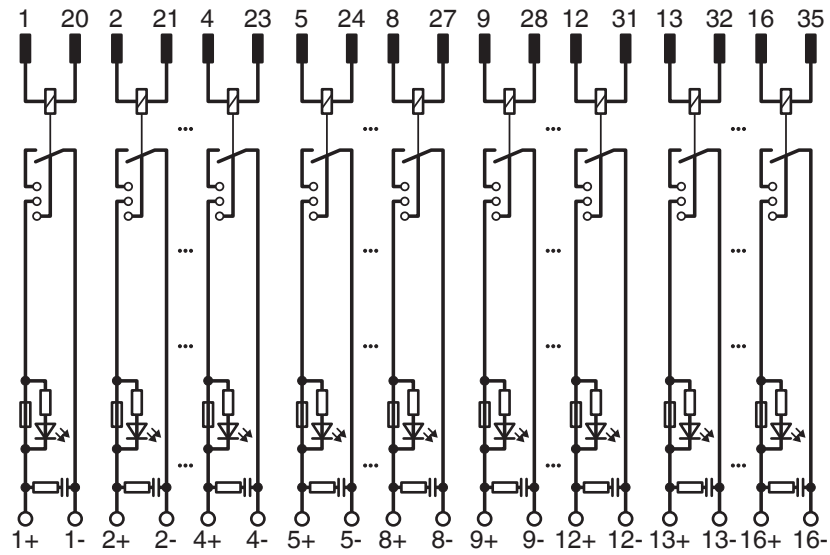


Dimensional drawing of right-hand version

2905655

<https://www.phoenixcontact.com/us/products/2905655>

Circuit diagram



UM-D37M/16RSC-24DC/DO/C300/L - Active module



2905655

<https://www.phoenixcontact.com/us/products/2905655>

Approvals

To download certificates, visit the product detail page: <https://www.phoenixcontact.com/us/products/2905655>



cUL Recognized
Approval ID: E238705



UL Recognized
Approval ID: E238705

cULus Recognized

2905655

<https://www.phoenixcontact.com/us/products/2905655>

Classifications

ECLASS

ECLASS-11.0	27141152
ECLASS-12.0	27141152
ECLASS-13.0	27141152

ETIM

ETIM 9.0	EC002780
----------	----------

UNSPSC

UNSPSC 21.0	39121400
-------------	----------

2905655

<https://www.phoenixcontact.com/us/products/2905655>

Environmental product compliance

EU RoHS

Fulfills EU RoHS substance requirements	Yes
Exemption	6(c), 7(a), 7(c)-I

China RoHS

Environment friendly use period (EFUP)	EFUP-50
	An article-related China RoHS declaration table can be found in the download area for the respective article under "Manufacturer declaration". For all articles with EFUP-E, no China RoHS declaration table issued and required.

EU REACH SVHC

REACH candidate substance (CAS No.)	Lead(CAS: 7439-92-1)
SCIP	8197a3ca-d7dd-41b1-b429-7b77ac11c543

Phoenix Contact 2024 © - all rights reserved

<https://www.phoenixcontact.com>

Phoenix Contact USA
 586 Fulling Mill Road
 Middletown, PA 17057, United States
 (+717) 944-1300
info@phoenixcon.com