

# VIP/S/MC/BASE 9-16/L/EX - Base module



2906630

<https://www.phoenixcontact.com/us/products/2906630>

Please be informed that the data shown in this PDF document is generated from our online catalog. Please find the complete data in the user documentation. Our general terms of use for downloads are valid.



8-channel VIP I/O marshalling base element for universal use. All connections as screw connection technology. With the COMBICON connector, compatible with the Honeywell C300 and RUSIO series. Marking for channels 9–16.

## Your advantages

- Integrated carrier for IOA insertion and retention
- Screw-clamp field connections
- Two isolated power bus options
- Channels for marking accessories
- Integrated DIN rail ground foot
- Rugged metal DIN rail foot for ease of installation or removal from the rail
- Each channel has four connections (A, B, C, D) and multiple shield options
- Terminals for discrete wiring or cable connection

## Commercial data

Item number	2906630
Packing unit	1 pc
Minimum order quantity	1 pc
Note	Made to order (non-returnable)
Sales key	C480
Product key	CK8111
Catalog page	Page 553 (C-5-2017)
GTIN	4055626184623
Weight per piece (including packing)	444.2 g
Weight per piece (excluding packing)	414.6 g
Customs tariff number	85366990
Country of origin	US

2906630

<https://www.phoenixcontact.com/us/products/2906630>

## Technical data

### Product properties

Product type	Module carrier
Product family	VIP I/O-Marshalling
No. of channels	8

### Data management status

Article revision	10
------------------	----

### Electrical properties

Max. operating voltage $U_{max}$	30 V DC (P2 and field terminals)
	230 V AC (P2 and field terminals)
	30 V DC (P1 terminals)
	30 V (X30 and X31 connectors)
Max. permissible current	15 A (P1 or P2 terminals)
Max. permissible total current	15 A (per module)
Max. current carrying capacity per branch	3 A (field signal)
	1 A (control contacts)

### Connection data

#### Field level

Connection in acc. with standard	IEC / EN
Connection method	Screw connection
Stripping length	8 mm
Screw thread	M3
Conductor cross section rigid	0.2 mm <sup>2</sup> ... 4 mm <sup>2</sup>
Conductor cross section flexible	0.2 mm <sup>2</sup> ... 2.5 mm <sup>2</sup>
Conductor cross section AWG	24 ... 12
Tightening torque	0.5 Nm ... 0.6 Nm

#### Controller level

Connection method	Pluggable screw connection
Number of connections	2
Number of positions	9

### Ex data

#### Safety data

Input voltage $U_i$	30 V (per channel)
Input current $I_i$	1 A (per channel)
Inductance $L_i$	0 mH
Capacitance $C_i$	0 $\mu$ F

### Signaling

# VIP/S/MC/BASE 9-16/L/EX - Base module



2906630

<https://www.phoenixcontact.com/us/products/2906630>

Status display	no
Status display present	No

## Dimensions

### Item dimensions

Width	118.1 mm
Height	102.7 mm
Depth	72.2 mm

## Material specifications

Color	gray (RAL 7042)
-------	-----------------

## Environmental and real-life conditions

### Ambient conditions

Degree of protection	IP20
Ambient temperature (operation)	-40 °C ... 75 °C
Ambient temperature (storage/transport)	-40 °C ... 75 °C
Permissible humidity (operation)	0 % ... 95 % (non-condensing)

## Approvals

### ATEX

Identification	Ex II 3G
	Ex nA ic IIC T4 Gc
	Ex II 3G Ex nA ic IIC T4 Gc
	Ex II 3(3)G Ex nA [ic] IIC T4 Gc
	Ex II (3)D [Ex ic Dc] IIIC
Certificate	Sira 16ATEX4260X

### IECEX

Identification	Ex nA IIC T4 Gc
	Ex nA ic IIC T4 Gc
	Ex nA [ic] IIC T4 Gc
	[Ex ic Dc] IIIC
	Ex nA [ia Ga] IIC T4 Gc
	[Ex ia Da] IIIC
Certificate	IECEX SIR 16.0088X

### FM

Identification	FM 3600
	FM 3611
	FM 3810
	Class I, Zone 2, AEx nA ic IIC T4 Gc
	AEx nA IIC T4 Gc
	Nonincendive: Class I, Div. 2, Groups A, B, C, D T4

# VIP/S/MC/BASE 9-16/L/EX - Base module



2906630

<https://www.phoenixcontact.com/us/products/2906630>

	With connection to Class I, II, and III, Div. 2, Groups A, B, C, D, E, F, G
--	---

## CSA, Canada

Identification	Ex nA ic IIC T4 Gc
	Ex nA IIC T4 Gc
	Nonincendive: Class I, Div. 2, Groups A, B, C, D T4
	With connection to Class I, II, and III, Div. 2, Groups A, B, C, D, E, F, G

## ANSI/ISA

Identification	ANSI/ISA 60079-0
	ANSI/ISA 60079-11
	ANSI/ISA 60079-15

## ANSI/IEC

Identification	ANSI/IEC 60529
----------------	----------------

## Corrosive gas test

Identification	ISA S71.04.2013 G3 Harsh Group A
----------------	----------------------------------

## Ex data

ATEX	Sira 16ATEX4260X; Ex II 3G Ex nA ic IIC T4 Gc; Ex II 3G Ex nA ic IIC T4 Gc Ex II 3(3)G Ex nA [ic] IIC T4 Gc; Ex II (3)D [Ex ic Dc] IIIC
IECEX	IECEX SIR 16.0088X Ex nA IIC T4 Gc; Ex nA ic IIC T4 Gc; Ex nA [ic] IIC T4 Gc; [Ex ic Dc] IIIC Ex nA [ia Ga] IIC T4 Gc; [Ex ia Da] IIIC
FM approval	Class I, Zone 2, AEx nA ic IIC T4 Gc; AEx nA IIC T4 Gc Nonincendive: Class I, Div. 2, Groups A, B, C, D T4 With connection to Class I, II, and III, Div. 2, Groups A, B, C, D, E, F, G

## Standards and regulations

Standards/regulations	IEC 60664
	DIN EN 50178

## Mounting

Mounting type	DIN rail mounting
Thread type	()
Mounting position	As desired on 35 mm DIN rail in acc. with EN 60715

# VIP/S/MC/BASE 9-16/L/EX - Base module

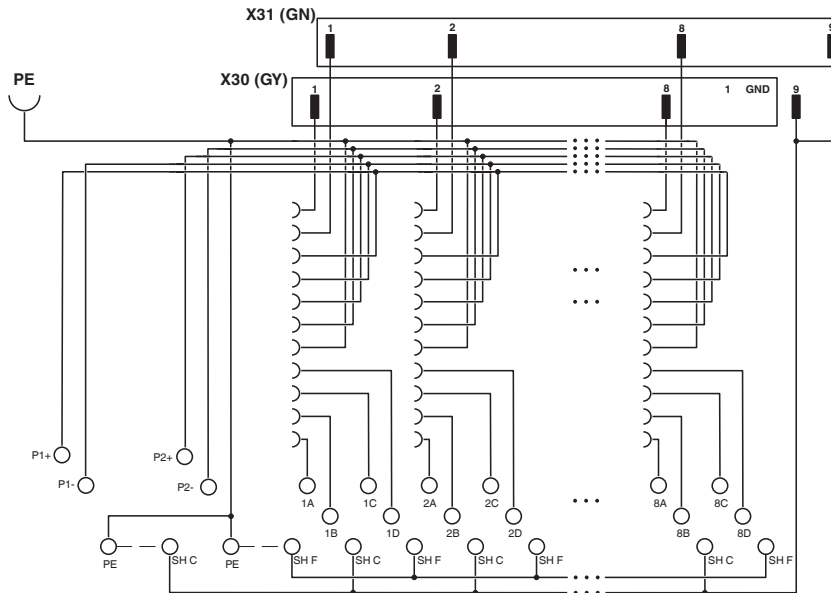


2906630

<https://www.phoenixcontact.com/us/products/2906630>

## Drawings

Circuit diagram



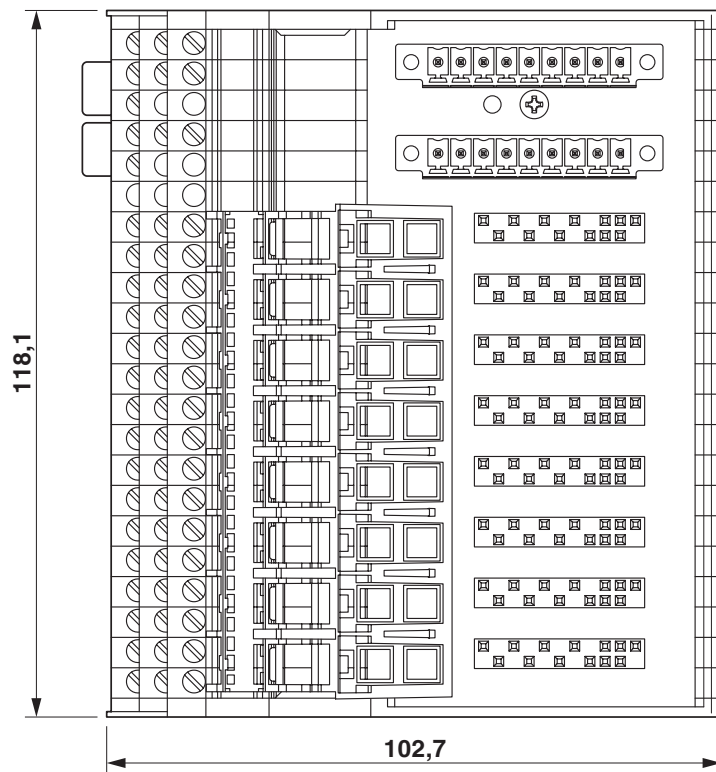
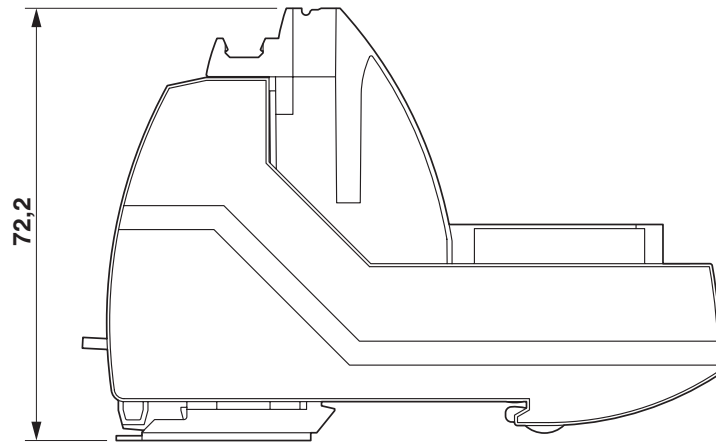
# VIP/S/MC/BASE 9-16/L/EX - Base module

2906630

<https://www.phoenixcontact.com/us/products/2906630>



Dimensional drawing



2906630

<https://www.phoenixcontact.com/us/products/2906630>

## Approvals

To download certificates, visit the product detail page: <https://www.phoenixcontact.com/us/products/2906630>

### Functional Safety

Approval ID: PHO 1609035 C001



### IECEX

Approval ID: IECEX SIR 16.0088X



### CSA

Approval ID: 2431647



### FM approved

Approval ID: FM 16USUS0155X



### CSAus

Approval ID: 2431647



### ATEX

Approval ID: Sira 16ATEX4260X

### cCSAus

# VIP/S/MC/BASE 9-16/L/EX - Base module



2906630

<https://www.phoenixcontact.com/us/products/2906630>

## Classifications

### ECLASS

ECLASS-11.0	27141152
ECLASS-13.0	27141152
ECLASS-12.0	27141152

### ETIM

ETIM 9.0	EC002780
----------	----------

### UNSPSC

UNSPSC 21.0	39121400
-------------	----------

2906630

<https://www.phoenixcontact.com/us/products/2906630>

## Environmental product compliance

### EU RoHS

Fulfills EU RoHS substance requirements	Yes, No exemptions
---	--------------------

### China RoHS

Environment friendly use period (EFUP)	EFUP-50
	An article-related China RoHS declaration table can be found in the download area for the respective article under "Manufacturer declaration". For all articles with EFUP-E, no China RoHS declaration table issued and required.

### EU REACH SVHC

REACH candidate substance (CAS No.)	No substance above 0.1 wt%
-------------------------------------	----------------------------

# VIP/S/MC/BASE 9-16/L/EX - Base module



2906630

<https://www.phoenixcontact.com/us/products/2906630>

## Mandatory accessories

VIP/S/FRONT-MC/KIT 9-16 - PCB connector

2907270

<https://www.phoenixcontact.com/us/products/2907270>

Pair of screw-clamp plugs to connect to VIP base module labeled 9-16



---

VIP/S/MC/KIT 9-16 - PCB connector

2907267

<https://www.phoenixcontact.com/us/products/2907267>

Pair of screw-clamp plugs to connect to VIP base module labeled 9-16.



## VIP/S/MC/BASE 9-16/L/EX - Base module

2906630

<https://www.phoenixcontact.com/us/products/2906630>



### IOA FEED-THRU/EX - Feed-through plug

2906598

<https://www.phoenixcontact.com/us/products/2906598>



Feed-through terminal block for VIP I/O-Marshalling base elements for conveying field signals to or from the I/O system.

---

### IOA AI/AO/BFI/DS/0.5A/EX - Input/output module

2906599

<https://www.phoenixcontact.com/us/products/2906599>



Fuse module for VIP I/O-Marshalling base elements with replaceable 0.5 A fuses in the field device supply path and in the signal path. Integrated test points and a disconnect knife enable uninterrupted signal measurement.

## VIP/S/MC/BASE 9-16/L/EX - Base module

2906630

<https://www.phoenixcontact.com/us/products/2906630>



## IOA DI/DO/BFI/DS/1.0A/EX - Input/output module

2906600

<https://www.phoenixcontact.com/us/products/2906600>



Fuse module for VIP I/O-Marshalling base elements with replaceable 1 A fuses in the field device supply path and in the signal path. Integrated test points and a disconnect knife enable uninterrupted signal measurement.

---

## IOA REL 24V DO/BFI/3.0A/EX - Relay module

2910153

<https://www.phoenixcontact.com/us/products/2910153>



Relay module for VIP I/O-Marshalling base elements. For switching 24 V DC loads up to max. 3 A. Integrated fuse and fuse failure indication. N/O contact or N/C contact can be used.

# VIP/S/MC/BASE 9-16/L/EX - Base module



2906630

<https://www.phoenixcontact.com/us/products/2906630>

## IOA REL 24V DI/BFI/1.0A/EX - Relay module

2910155

<https://www.phoenixcontact.com/us/products/2910155>



Relay module for VIP I/O-Marshalling base elements. For the electrically isolated coupling of 24 V DC field devices to digital inputs. Integrated fuse and fuse failure indication.

---

## IOA REL 120V DO/BFI/3.0A/EX - Relay module

2910154

<https://www.phoenixcontact.com/us/products/2910154>



Relay module for VIP I/O-Marshalling base elements. For switching 120 V AC loads up to max. 3 A. Integrated fuse and fuse failure indication. N/O contact or N/C contact can be used.

# VIP/S/MC/BASE 9-16/L/EX - Base module

2906630

<https://www.phoenixcontact.com/us/products/2906630>



## IOA REL 120V DI/1.0A/EX - Relay module

2910157

<https://www.phoenixcontact.com/us/products/2910157>



Relay module for VIP I/O-Marshalling base elements. For the electrically isolated coupling of 120 V AC field devices to digital inputs. Integrated fuse and fuse failure indication.

---

## IOA REL 230V DO/BFI/NO/3.0A/EX - Relay module

2910421

<https://www.phoenixcontact.com/us/products/2910421>



Relay module for VIP I/O-Marshalling base elements. For switching 230 V AC loads up to max. 3 A. Integrated fuse and fuse failure indication. N/O contact can be used.

# VIP/S/MC/BASE 9-16/L/EX - Base module



2906630

<https://www.phoenixcontact.com/us/products/2906630>

## IOA REL 230V DO/BFI/NC/3.0A/EX - Relay module

2910422

<https://www.phoenixcontact.com/us/products/2910422>



Relay module for VIP I/O-Marshalling base elements. For switching 230 V AC loads up to max. 3 A. Integrated fuse and fuse failure indication. N/C contact can be used.

---

## IOA REL 230V DI/1.0A/EX - Relay module

2910423

<https://www.phoenixcontact.com/us/products/2910423>



Relay module for VIP I/O-Marshalling base elements. For the electrically isolated coupling of 230 V AC field devices to digital inputs. Integrated fuse and fuse failure indication.

# VIP/S/MC/BASE 9-16/L/EX - Base module

2906630

<https://www.phoenixcontact.com/us/products/2906630>

## IOA RPSS-I-I/HART/EX - Power/input isolating amplifier

2908452

<https://www.phoenixcontact.com/us/products/2908452>



Ex ic repeater power supply and input signal conditioner, HART for VIP I/O-Marshalling base elements: Transmits 0/4 ... 20 mA signals from the potentially explosive area (zone 2, CID2) to a load (active or passive) in the safe area. 3-way electrical isolation

---

## IOA FEED-THRU-DO/NI/EX - Feed-through plug

1172189

<https://www.phoenixcontact.com/us/products/1172189>



Non-incendive, Ex ic impeding devices for VIP I/O marshalling base elements. For limiting current (60 mA or 80 mA) and voltage (26.4 V DC) on digital outputs. For example, to control solenoid valves in the Ex area (zone 2, CID2).

## VIP/S/MC/BASE 9-16/L/EX - Base module

2906630

<https://www.phoenixcontact.com/us/products/2906630>



## IOA PR-DAI/DAO/F/DS/2A/EX - Input/output module

1048208

<https://www.phoenixcontact.com/us/products/1048208>



Fuse module for VIP I/O marshalling base elements with replaceable 2 A fuse in the field device supply path. Integrated test points and a disconnect knife allow uninterrupted signal measurement.

---

## IOA PR-DAI/DAO/F/DS/0.25A/EX - Input/output module

1188706

<https://www.phoenixcontact.com/us/products/1188706>



Fuse module for VIP I/O marshalling base elements with replaceable 0.25 A fuse in the field device supply path. Integrated test points and a disconnect knife allow uninterrupted signal measurement.

# VIP/S/MC/BASE 9-16/L/EX - Base module



2906630

<https://www.phoenixcontact.com/us/products/2906630>

## IOA DAC-4DI/AI/EX - Converter

1145061

<https://www.phoenixcontact.com/us/products/1145061>



Digital-to-analog converter for VIP I/O-Marshalling base elements. For connection of four digital inputs and conversion to a single analog 4...20 mA signal. Saves three I/O channels.

---

## IOA LM-DI/R/RUSIO/EX - Monitoring block

1048209

<https://www.phoenixcontact.com/us/products/1048209>



Cable monitoring module for VIP I/O marshalling base elements. Enables cable fault monitoring when using standard switching contacts in safety applications. Both wire breaks and short circuits can be detected.

# VIP/S/MC/BASE 9-16/L/EX - Base module



2906630

<https://www.phoenixcontact.com/us/products/2906630>

## IOA MCR-CJC-PT100 - Plug

1085776

<https://www.phoenixcontact.com/us/products/1085776>



Plug for cold junction compensation for thermocouples, in combination with MACX MCR(-EX)-TC... temperature transducers

---

## IOA-PSR-PS22-1NO-1NC-24DC - Coupling relay

2702971

<https://www.phoenixcontact.com/us/products/2702971>



Plug-in SIL coupling relay as an input/output accessory for VIP base module, SIL 3 high- and low-demand applications, safe-state-off, couples digital output signals to the periphery, one enabling current path, one confirmation current path, test pulse filter

# VIP/S/MC/BASE 9-16/L/EX - Base module



2906630

<https://www.phoenixcontact.com/us/products/2906630>

## CAB-MSTB32/2XMC9/22/ 0,4M/C3/S - Interface cable

2908328

<https://www.phoenixcontact.com/us/products/2908328>

VIP 16-channel cable for use with Honeywell C300 universal I/O, 22 AWG, 0.4 m long



---

## CAB-MSTB32/2XMC9/22/ 0,5M/C3/S - Interface cable

2906874

<https://www.phoenixcontact.com/us/products/2906874>

VIP 16-channel cable for use with Honeywell C300 universal I/O, 22 AWG, 0.5 m long



# VIP/S/MC/BASE 9-16/L/EX - Base module



2906630

<https://www.phoenixcontact.com/us/products/2906630>

## CAB-MSTB32/2XMC9/22/ 1,0M/C3/S - Interface cable

2906884

<https://www.phoenixcontact.com/us/products/2906884>

VIP 16-channel cable for use with Honeywell C300 universal I/O, 22 AWG, 1.0 m long



---

## CAB-MSTB32/2XMC9/22/ 2,0M/C3/S - Interface cable

2906886

<https://www.phoenixcontact.com/us/products/2906886>

VIP 16-channel cable for use with Honeywell C300 universal I/O, 22 AWG, 2.0 m long



# VIP/S/MC/BASE 9-16/L/EX - Base module



2906630

<https://www.phoenixcontact.com/us/products/2906630>

## CAB-MSTB32/2XMC9/22/ 3,0M/C3/S - Interface cable

2906887

<https://www.phoenixcontact.com/us/products/2906887>

VIP 16-channel cable for use with Honeywell C300 universal I/O, 22 AWG, 3.0 m long



---

## CAB-MSTB32/2XMC9/22/ 4,0M/C3/S - Interface cable

2906888

<https://www.phoenixcontact.com/us/products/2906888>

VIP 16-channel cable for use with Honeywell C300 universal I/O, 22 AWG, 4.0 m long



# VIP/S/MC/BASE 9-16/L/EX - Base module



2906630

<https://www.phoenixcontact.com/us/products/2906630>

## CAB-MSTB32/2XMC9/22/ 6,0M/C3/S - Interface cable

2906889

<https://www.phoenixcontact.com/us/products/2906889>

VIP 16-channel cable for use with Honeywell C300 universal I/O, 22 AWG, 6.0 m long



---

## CAB-MSTB32/2XMC9/22/ 8,0M/C3/S - Interface cable

2907783

<https://www.phoenixcontact.com/us/products/2907783>

VIP 16-channel cable for use with Honeywell C300 universal I/O, 22 AWG, 8.0 m long



# VIP/S/MC/BASE 9-16/L/EX - Base module



2906630

<https://www.phoenixcontact.com/us/products/2906630>

## CAB-MSTB32/2XMC9/22/10,0M/C3/S - Interface cable

2907784

<https://www.phoenixcontact.com/us/products/2907784>

VIP 16-channel cable for use with Honeywell C300 universal I/O, 22 AWG, 10.0 m long



---

## CAB-MSTB32/2XMC9/22/15,0M/C3/S - Interface cable

1065475

<https://www.phoenixcontact.com/us/products/1065475>

VIP 16-channel cable for use with Honeywell C300 universal I/O, 22 AWG, 15 m long



# VIP/S/MC/BASE 9-16/L/EX - Base module



2906630

<https://www.phoenixcontact.com/us/products/2906630>

## CAB-MSTB32/2XMC9/22/18,0M/C3/S - Interface cable

1013239

<https://www.phoenixcontact.com/us/products/1013239>

VIP 16-channel cable for use with Honeywell C300 universal I/O, 22 AWG, 18.0 m long



---

## CAB-MSTB32/2XMC9/22/19,0M/C3/S - Interface cable

1013240

<https://www.phoenixcontact.com/us/products/1013240>

VIP 16-channel cable for use with Honeywell C300 universal I/O, 22 AWG, 19.0 m long



# VIP/S/MC/BASE 9-16/L/EX - Base module



2906630

<https://www.phoenixcontact.com/us/products/2906630>

## CAB-MSTB32/2XMC9/22/25,0M/C3/S - Interface cable

1065474

<https://www.phoenixcontact.com/us/products/1065474>

VIP 16-channel cable for use with Honeywell C300 universal I/O, 22 AWG, 25 m long



---

## CAB-MSTB32/2XMC9/22/32,0M/C3/S - Interface cable

1013241

<https://www.phoenixcontact.com/us/products/1013241>

VIP 16-channel cable for use with Honeywell C300 universal I/O, 22 AWG, 32.0 m long



# VIP/S/MC/BASE 9-16/L/EX - Base module



2906630

<https://www.phoenixcontact.com/us/products/2906630>

## CAB-MSTB32/2XMC9/22/35,0M/C3/S - Interface cable

2909901

<https://www.phoenixcontact.com/us/products/2909901>

VIP 16-channel cable for use with Honeywell C300 universal I/O, 22 AWG, 35.0 m long



---

## CAB-MSTB32/2XMC9/18/ 0,4M/C3/S - Interface cable

2908403

<https://www.phoenixcontact.com/us/products/2908403>

VIP 16-channel cable for use with Honeywell C300 universal I/O, 18 AWG, 0.4 m long



# VIP/S/MC/BASE 9-16/L/EX - Base module



2906630

<https://www.phoenixcontact.com/us/products/2906630>

## CAB-MSTB32/2XMC9/18/ 0,5M/C3/S - Interface cable

2908404

<https://www.phoenixcontact.com/us/products/2908404>

VIP 16-channel cable for use with Honeywell C300 universal I/O, 18 AWG, 0.5 m long



---

## CAB-MSTB32/2XMC9/18/ 1,0M/C3/S - Interface cable

2908405

<https://www.phoenixcontact.com/us/products/2908405>

VIP 16-channel cable for use with Honeywell C300 universal I/O, 18 AWG, 1.0 m long



# VIP/S/MC/BASE 9-16/L/EX - Base module



2906630

<https://www.phoenixcontact.com/us/products/2906630>

## CAB-MSTB32/2XMC9/18/ 2,0M/C3/S - Interface cable

2908406

<https://www.phoenixcontact.com/us/products/2908406>

VIP 16-channel cable for use with Honeywell C300 universal I/O, 18 AWG, 2.0 m long



---

## CAB-MSTB32/2XMC9/18/ 3,0M/C3/S - Interface cable

2908407

<https://www.phoenixcontact.com/us/products/2908407>

VIP 16-channel cable for use with Honeywell C300 universal I/O, 18 AWG, 3.0 m long



# VIP/S/MC/BASE 9-16/L/EX - Base module



2906630

<https://www.phoenixcontact.com/us/products/2906630>

## CAB-MSTB32/2XMC9/18/ 4,0M/C3/S - Interface cable

2908408

<https://www.phoenixcontact.com/us/products/2908408>

VIP 16-channel cable for use with Honeywell C300 universal I/O, 18 AWG, 4.0 m long



---

## CAB-MSTB32/2XMC9/18/ 6,0M/C3/S - Interface cable

2908409

<https://www.phoenixcontact.com/us/products/2908409>

VIP 16-channel cable for use with Honeywell C300 universal I/O, 18 AWG, 6.0 m long



# VIP/S/MC/BASE 9-16/L/EX - Base module



2906630

<https://www.phoenixcontact.com/us/products/2906630>

## CAB-MSTB32/2XMC9/18/ 8,0M/C3/S - Interface cable

2908410

<https://www.phoenixcontact.com/us/products/2908410>

VIP 16-channel cable for use with Honeywell C300 universal I/O, 18 AWG, 8.0 m long



---

## CAB-MSTB32/2XMC9/18/10,0M/C3/S - Interface cable

2908411

<https://www.phoenixcontact.com/us/products/2908411>

VIP 16-channel cable for use with Honeywell C300 universal I/O, 18 AWG, 10.0 m long



---

## Accessories

# VIP/S/MC/BASE 9-16/L/EX - Base module



2906630

<https://www.phoenixcontact.com/us/products/2906630>

## IOA MCR-CJC-PT100 - Plug

1085776

<https://www.phoenixcontact.com/us/products/1085776>



Plug for cold junction compensation for thermocouples, in combination with MACX MCR(-EX)-TC... temperature transducers

---

## UC-TM 10 - Marker for terminal blocks

0818069

<https://www.phoenixcontact.com/us/products/0818069>



Marker for terminal blocks, Sheet, white, unlabeled, can be labeled with: BLUEMARK ID COLOR, BLUEMARK ID, BLUEMARK CLED, PLOTMARK, CMS-P1-PLOTTER, mounting type: latching, for terminal block width: 10.2 mm, lettering field size: 9.6 x 10.5 mm, Number of individual labels: 48

## VIP/S/MC/BASE 9-16/L/EX - Base module



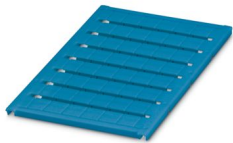
2906630

<https://www.phoenixcontact.com/us/products/2906630>

### UC-TM 10 BU - Marker for terminal blocks

0818441

<https://www.phoenixcontact.com/us/products/0818441>



Marker for terminal blocks, Sheet, blue, unlabeled, can be labeled with: BLUEMARK ID COLOR, BLUEMARK ID, BLUEMARK CLED, PLOTMARK, CMS-P1-PLOTTER, mounting type: latching, for terminal block width: 10.2 mm, lettering field size: 9.6 x 10.5 mm, Number of individual labels: 48

---

### VIP/S/BASE 3L DIVIDER - Partition plate

2907715

<https://www.phoenixcontact.com/us/products/2907715>



VIP I/O marshalling partition plate for safe isolation between non-Ex i and Ex i plug-in modules on a base module in VIP design.  
The partition plate is mounted directly on the base module between the plug-in IOAs.

## VIP/S/MC/BASE 9-16/L/EX - Base module

2906630

<https://www.phoenixcontact.com/us/products/2906630>



## VIP/U/RAIL 3L DIVIDER - Partition plate

2908555

<https://www.phoenixcontact.com/us/products/2908555>



VIP I/O marshalling partition plate for safe isolation between non-Ex i and Ex i assembled base modules for Honeywell systems. The partition plate is mounted directly on the DIN rail at the end of the base module.

---

## UC-TM 10 - Marker for terminal blocks

0818069

<https://www.phoenixcontact.com/us/products/0818069>



Marker for terminal blocks, Sheet, white, unlabeled, can be labeled with: BLUEMARK ID COLOR, BLUEMARK ID, BLUEMARK CLED, PLOTMARK, CMS-P1-PLOTTER, mounting type: latching, for terminal block width: 10.2 mm, lettering field size: 9.6 x 10.5 mm, Number of individual labels: 48

# VIP/S/MC/BASE 9-16/L/EX - Base module



2906630

<https://www.phoenixcontact.com/us/products/2906630>

## UC-TM 10 BU - Marker for terminal blocks

0818441

<https://www.phoenixcontact.com/us/products/0818441>



Marker for terminal blocks, Sheet, blue, unlabeled, can be labeled with: BLUEMARK ID COLOR, BLUEMARK ID, BLUEMARK CLED, PLOTMARK, CMS-P1-PLOTTER, mounting type: latching, for terminal block width: 10.2 mm, lettering field size: 9.6 x 10.5 mm, Number of individual labels: 48

---

## B-STIFT - Marker pen

1051993

<https://www.phoenixcontact.com/us/products/1051993>



Marker pen, for manual labeling of unprinted Zack strips, smear-proof and waterproof, line thickness 0.5 mm

---

Phoenix Contact 2024 © - all rights reserved  
<https://www.phoenixcontact.com>

Phoenix Contact USA  
586 Fulling Mill Road  
Middletown, PA 17057, United States  
(+717) 944-1300  
[info@phoenixcon.com](mailto:info@phoenixcon.com)