



Sensors > Vibration Sensors > Model 3038 SMT DC Accelerometers



Accelerometer Type: **MEMS DC**

Vibration Sensor Product Type: **DC Response Embedded Accelerometers**

Number of Sensing Axes: **Uniaxial**

Full Scale Output Voltage: **±1 VDC**

Mounting Type: **Solder**

[All Model 3038 SMT DC Accelerometers \(6\)](#)

Features

Product Type Features

Accelerometer Type	MEMS DC
Vibration Sensor Product Type	DC Response Embedded Accelerometers

Electrical Characteristics

Zero Acceleration Output	±25 mV
Excitation Voltage	2 – 10 VDC
Full Scale Output Voltage	±1 VDC

Body Features

Product Weight	.6 g
Primary Product Material	Ceramic
Number of Sensing Axes	Uniaxial

Mechanical Attachment

Mounting Type	Solder
---------------	--------

Usage Conditions

Operating Temperature Range	-40 – 125 °C[-40 – 257 °F]
-----------------------------	----------------------------

Other

Nonlinearity	±1 %FSO
--------------	---------

Acceleration Range (\pm)	50 g
Sensitivity	1 mV/g

Product Compliance

[For compliance documentation, visit the product page on TE.com>](#)

EU RoHS Directive 2011/65/EU	Compliant
EU ELV Directive 2000/53/EC	Compliant
China RoHS 2 Directive MIIT Order No 32, 2016	No Restricted Materials Above Threshold
EU REACH Regulation (EC) No. 1907/2006	Current ECHA Candidate List: JUNE 2023 (235) Candidate List Declared Against: JUNE 2022 (224) Does not contain REACH SVHC
Halogen Content	Not Yet Reviewed for halogen content
Solder Process Capability	Not reviewed for solder process capability

Product Compliance Disclaimer

This information is provided based on reasonable inquiry of our suppliers and represents our current actual knowledge based on the information they provided. This information is subject to change. The part numbers that TE has identified as EU RoHS compliant have a maximum concentration of 0.1% by weight in homogenous materials for lead, hexavalent chromium, mercury, PBB, PBDE, DBP, BBP, DEHP, DIBP, and 0.01% for cadmium, or qualify for an exemption to these limits as defined in the Annexes of Directive 2011/65/EU (RoHS2). Finished electrical and electronic equipment products will be CE marked as required by Directive 2011/65/EU. Components may not be CE marked. Additionally, the part numbers that TE has identified as EU ELV compliant have a maximum concentration of 0.1% by weight in homogenous materials for lead, hexavalent chromium, and mercury, and 0.01% for cadmium, or qualify for an exemption to these limits as defined in the Annexes of Directive 2000/53/EC (ELV). Regarding the REACH Regulation, the information TE provides on SVHC in articles for this part number is based on the latest European Chemicals Agency (ECHA) 'Guidance on requirements for substances in articles' posted at this URL: <https://echa.europa.eu/guidance-documents/guidance-on-reach>

Compatible Parts



Also in the Series | [MEAS 3038](#)



Vibration Sensors(8)

Customers Also Bought



TE Part #T4110001041-000
M12,FEMALE,STRAIGHT,A CODE,4P,
PG7,GOLD



TE Part #2267130-4
SUBMIN PUSHBUTTON, PBS9MZRES



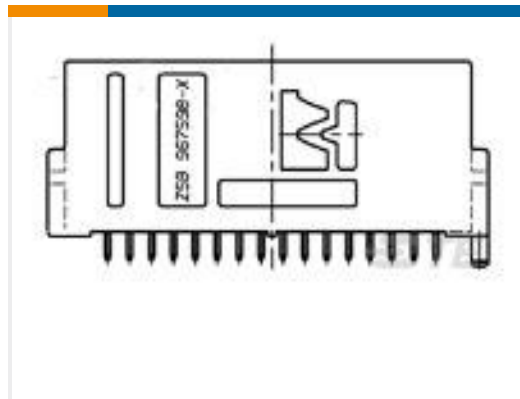
TE Part #1-2176339-4
CRGCO 0603 120R 1%



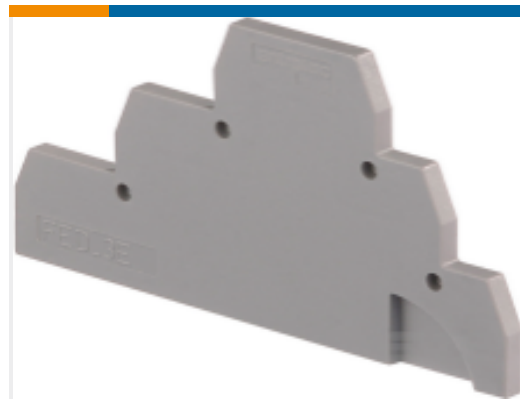
TE Part #5052962027
RNF-100-3/32-4-STK



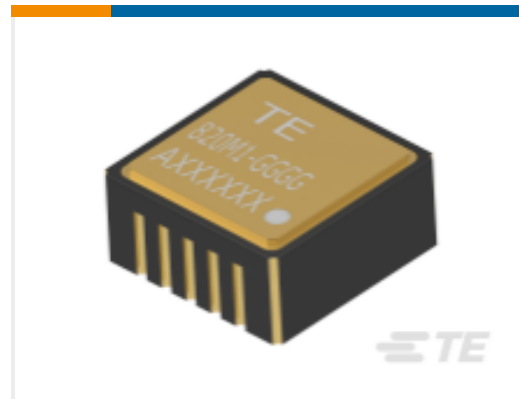
TE Part #1241388-1
AMP MCP 2.8K, CONTACT



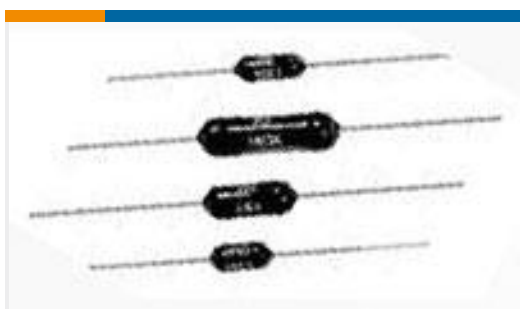
TE Part #967598-4
32pos MQS .63 header 180deg



TE Part #1SNA116771R2000
FED3E



TE Part #20005836-00
820M1-0025 Uniaxial 25g Tape Reel
300pc



TE Part #4-1879663-7
H8 324R 0.1% 15PPM

Documents

[CAD Files](#)

[3D PDF](#)

[3D](#)

[Customer View Model](#)

[ENG_CVM_CVM_3038-0050_E.2d_dxf.zip](#)

[English](#)

[Customer View Model](#)

[ENG_CVM_CVM_3038-0050_E.3d_igs.zip](#)



English

Customer View Model

[ENG_CVM_CVM_3038-0050_E.3d_stp.zip](#)

English

By downloading the CAD file I accept and agree to the [Terms and Conditions](#) of use.

Datasheets & Catalog Pages

[3038_Accelerometer](#)

English