

RSCWE 6-3/16 - Test terminal strip



3969955

<https://www.phoenixcontact.com/us/products/3969955>

Please be informed that the data shown in this PDF document is generated from our online catalog. Please find the complete data in the user documentation. Our general terms of use for downloads are valid.



Test terminal strip, nom. voltage: 400 V, number of connections: 32, number of positions: 16, connection method: Ring cable lug, 1 level, Rated cross section: 6 mm², mounting type: Wall mounting, color: gray

Your advantages

- Space saving, thanks to compact, modular test terminal strips
- Cost-effective, thanks to the tailored, modular design and use of standardized CLIPLINE complete accessories
- The integrated, robust switch contact is designed for the most stringent demands, and the use of high-quality materials ensures the transmission of signal currents, even after multiple actuations
- Maximum safety with leading and automatic transformer short circuit

Commercial data

Item number	3969955
Packing unit	1 pc
Minimum order quantity	1 pc
Sales key	BE06
Product key	BE6113
GTIN	4055626394664
Weight per piece (including packing)	627.7 g
Weight per piece (excluding packing)	573.61 g
Customs tariff number	85369010
Country of origin	PL

3969955

<https://www.phoenixcontact.com/us/products/3969955>

Technical data

Product properties

Product type	Test terminal strip
Number of positions	16
Pitch	8.2 mm
Number of connections	32
Number of rows	1
Potentials	16

Data management status

Article revision	03
------------------	----

Insulation characteristics

Overvoltage category	III
----------------------	-----

Electrical properties

Rated surge voltage	4 kV
Maximum power dissipation for nominal condition	1.31 W
Test surge voltage	5 kV

Connection data

Number of connections per level	32
Nominal cross section	6 mm ²

1 level

Screw thread	No 8 UNC
Tightening torque	1.5 ... 1.8 Nm
Internal cylindrical gage	A5
Connection in acc. with standard	IEC 60947-7-1
Conductor cross section flexible	0.5 mm ² ... 10 mm ²
Conductor cross section, flexible [AWG]	24 ... 8 (converted acc. to IEC)
2 conductors with same cross section, solid	0.5 mm ² ... 6 mm ²
2 conductors with same cross section, flexible	0.5 mm ² ... 6 mm ²
Maximum load current	30 A (with 10 mm ² conductor cross section)
Nominal voltage	400 V AC/DC
Nominal cross section	6 mm ²

Cable lug connection DIN 46234:1980-03

Connection in acc. with standard	DIN 46234:1980-03
Cross section	0.5 mm ² ... 10 mm ²
Cross section range AWG	(converted acc. to IEC)
Hole diameter	4.3 mm
Width	8 mm
Bolt diameter	4.1 mm

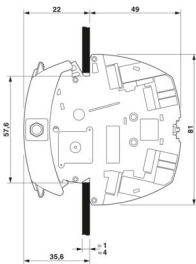
RSCWE 6-3/16 - Test terminal strip

3969955

<https://www.phoenixcontact.com/us/products/3969955>

Connection in acc. with standard	DIN 46237:1970-07
Cross section	0.5 mm ² ... 10 mm ²
Cross section range AWG	(converted acc. to IEC)
Hole diameter	4.3 mm
Width	8 mm
Bolt diameter	4.1 mm
Identification color of ring cable lugs : red	1 mm ²
Identification color of ring cable lugs : blue	2.5 mm ²
Identification color of ring cable lugs : yellow	6 mm ²

Dimensions

Dimensional drawing	
Width	163 mm
Height	81 mm
Depth	70.1 mm
Pitch	8.2 mm
Plate thickness	1 mm ... 4 mm

Material specifications

Color	gray (RAL 7042)
Flammability rating according to UL 94	V0
Insulating material group	I
Insulating material	PA

Mechanical properties

General

Terminal block mounting	0.8 Nm ... 1 Nm
-------------------------	-----------------

Mechanical data

Open side panel	No
-----------------	----

Environmental and real-life conditions

Ambient conditions

Ambient temperature (storage/transport)	-25 °C ... 60 °C (for a short time, not exceeding 24 h, -60 °C to +70 °C)
Ambient temperature (assembly)	-5 °C ... 70 °C
Ambient temperature (actuation)	-5 °C ... 70 °C

RSCWE 6-3/16 - Test terminal strip



3969955

<https://www.phoenixcontact.com/us/products/3969955>

Permissible humidity (storage/transport)	30 % ... 70 %
--	---------------

Standards and regulations

Connection in acc. with standard	IEC 60947-7-1
----------------------------------	---------------

Mounting

Mounting type	Wall mounting
Terminal block mounting	0.8 Nm ... 1 Nm

RSCWE 6-3/16 - Test terminal strip

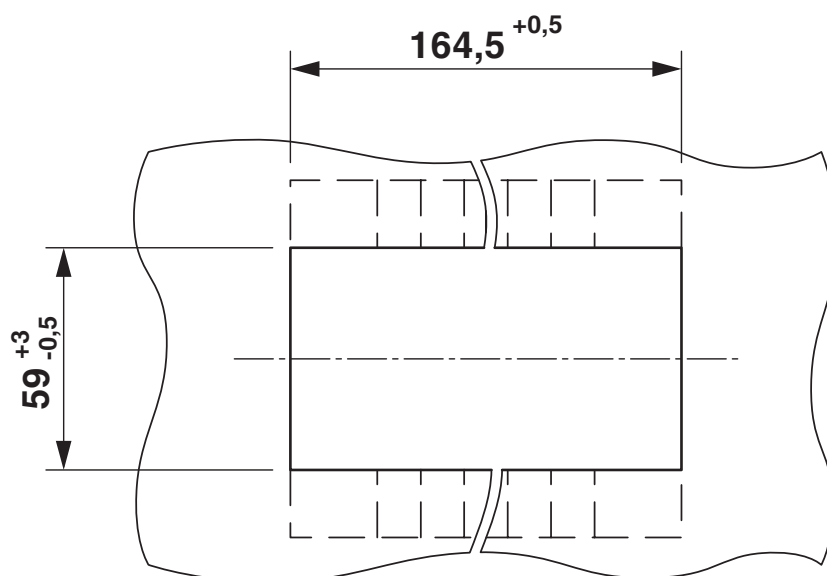
3969955

<https://www.phoenixcontact.com/us/products/3969955>



Drawings

Dimensional drawing



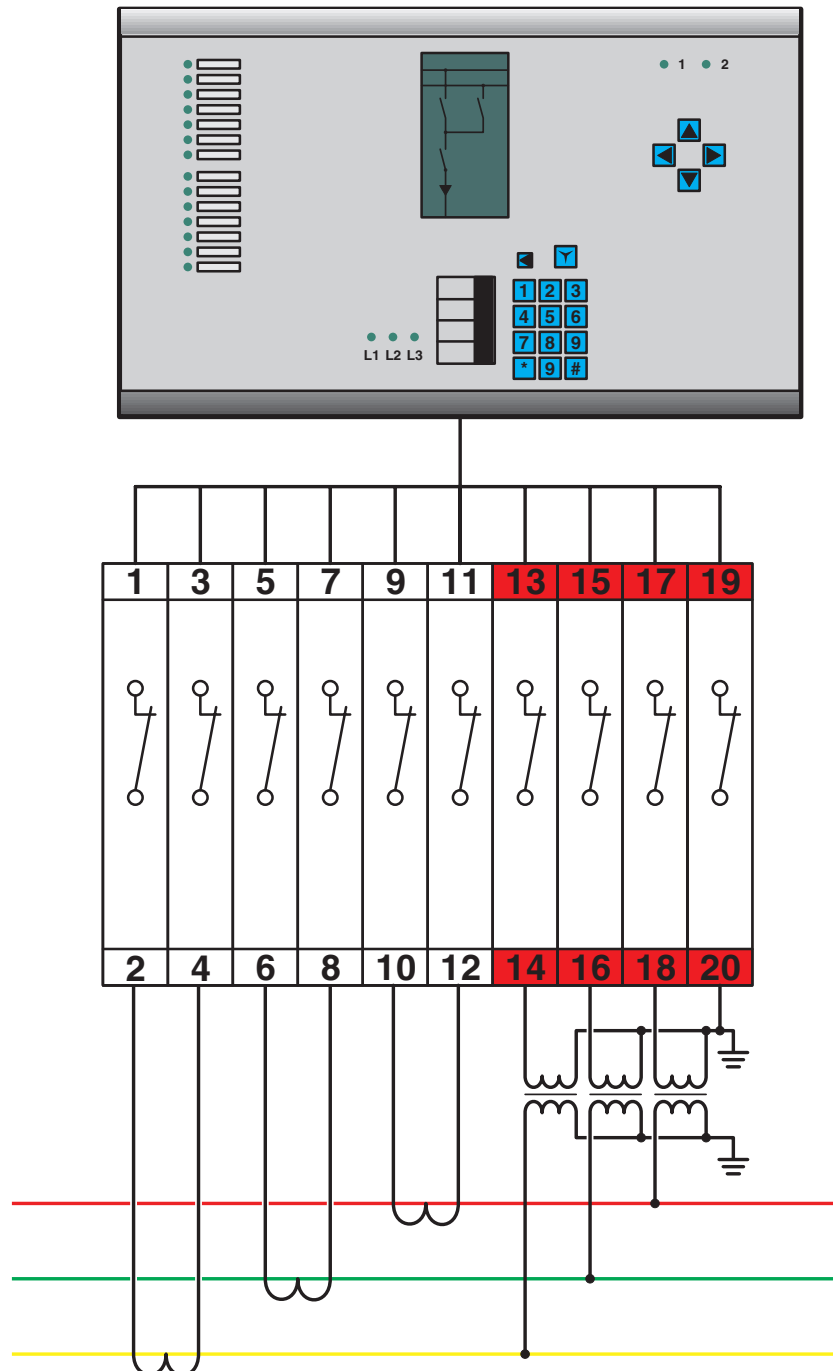
RSCWE 6-3/16 - Test terminal strip

3969955

<https://www.phoenixcontact.com/us/products/3969955>



Circuit diagram

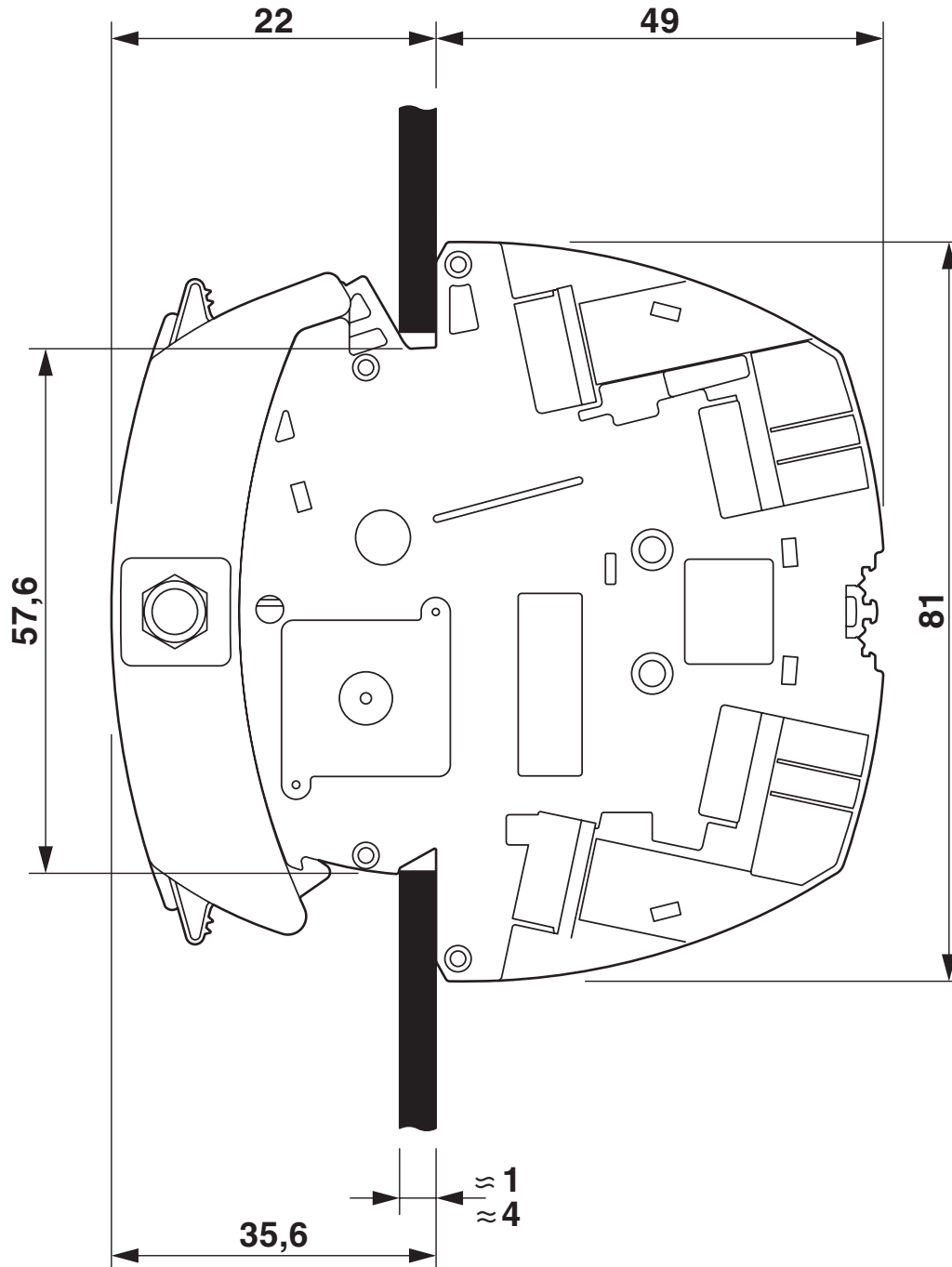


RSCWE 6-3/16 - Test terminal strip

3969955

<https://www.phoenixcontact.com/us/products/3969955>

Dimensional drawing



RSCWE 6-3/16 - Test terminal strip




3969955

<https://www.phoenixcontact.com/us/products/3969955>

Approvals

To download certificates, visit the product detail page: <https://www.phoenixcontact.com/us/products/3969955>

 cULus Recognized Approval ID: E60425				
	Nominal voltage U_N	Nominal current I_N	Cross section AWG	Cross section mm^2
Use group B	600 V	31 A	20 - 8	-
Use group C	600 V	31 A	20 - 8	-
Use group D	600 V	5 A	20 - 8	-

 EAC Approval ID: RU C-DE.BL08.B.00682	
---	--

RSCWE 6-3/16 - Test terminal strip



3969955

<https://www.phoenixcontact.com/us/products/3969955>

Classifications

ECLASS

ECLASS-11.0	27141126
ECLASS-12.0	27141126
ECLASS-13.0	27250190

ETIM

ETIM 9.0	EC002848
----------	----------

UNSPSC

UNSPSC 21.0	39121400
-------------	----------

RSCWE 6-3/16 - Test terminal strip



3969955

<https://www.phoenixcontact.com/us/products/3969955>

Environmental product compliance

EU RoHS

Fulfills EU RoHS substance requirements	Yes, No exemptions
---	--------------------

China RoHS

Environment friendly use period (EFUP)	EFUP-E
	No hazardous substances above the limits

EU REACH SVHC

REACH candidate substance (CAS No.)	No substance above 0.1 wt%
-------------------------------------	----------------------------

Phoenix Contact 2024 © - all rights reserved
<https://www.phoenixcontact.com>

Phoenix Contact USA
586 Fulling Mill Road
Middletown, PA 17057, United States
(+717) 944-1300
info@phoenixcon.com