



Connectors > PCB Connectors > Backplane Connectors > Eurocard Connectors



Connector & Housing Type: **Plug**

Connector System: **Board-to-Board**

Termination Post & Tail Length: **4.5 mm [.177 in]**

Number of Positions: **64**

Centerline (Pitch): **2.54 mm [.1 in]**

Features

Industry Standards

UL Flammability Rating	UL 94V-0
------------------------	----------

Body Features

Primary Product Color	Gray
-----------------------	------

Mechanical Attachment

Connector Mounting Type	Board Mount
Panel Mount Feature	Without
PCB Mount Retention Type	Mounting Hole
Mating Alignment	Without
PCB Mount Retention	With

Packaging Features

Packaging Method	Box
------------------	-----

Operation/Application

Shielded	No
Circuit Application	Power & Signal

Contact Features

Contact Base Material	Phosphor Bronze
Contact Type	Pin
Contact Current Rating (Max)	1.5 A

Dimensions

Connector Height	11.51 mm
Row-to-Row Spacing	2.54 mm[.1 in]

Housing Features

Housing Material	Thermoplastic PBT GF
Centerline (Pitch)	2.54 mm[.1 in]

Configuration Features

Number of Power or Coaxial Positions	2
Number of Positions	64
Number of Rows	2
PCB Mount Orientation	Vertical
Number of Columns	32
Rows Loaded	A, B, C
Number of Signal Positions	64

Termination Features

Termination Method to PCB	Through Hole - Solder
Termination Post & Tail Length	4.5 mm[.177 in]

Product Type Features

Connector & Housing Type	Plug
Connector System	Board-to-Board
Connector & Contact Terminates To	Printed Circuit Board
DIN Size	Standard
DIN Level	II

Other

EU RoHS Compliance	Compliant
EU ELV Compliance	Compliant

Product Compliance

[For compliance documentation, visit the product page on TE.com>](#)



EU RoHS Directive 2011/65/EU	Compliant
EU ELV Directive 2000/53/EC	Compliant
China RoHS 2 Directive MIIT Order No 32, 2016	No Restricted Materials Above Threshold
EU REACH Regulation (EC) No. 1907/2006	Current ECHA Candidate List: JUNE 2024 (241) Candidate List Declared Against: JUNE 2024 (241) Does not contain REACH SVHC
Halogen Content	Not Low Halogen - contains Br or Cl > 900 ppm.
Solder Process Capability	Wave solder capable to 240°C

Product Compliance Disclaimer

This information is provided based on reasonable inquiry of our suppliers and represents our current actual knowledge based on the information they provided. This information is subject to change. The part numbers that TE has identified as EU RoHS compliant have a maximum concentration of 0.1% by weight in homogenous materials for lead, hexavalent chromium, mercury, PBB, PBDE, DBP, BBP, DEHP, DIBP, and 0.01% for cadmium, or qualify for an exemption to these limits as defined in the Annexes of Directive 2011/65/EU (RoHS2). Finished electrical and electronic equipment products will be CE marked as required by Directive 2011/65/EU. Components may not be CE marked. Additionally, the part numbers that TE has identified as EU ELV compliant have a maximum concentration of 0.1% by weight in homogenous materials for lead, hexavalent chromium, and mercury, and 0.01% for cadmium, or qualify for an exemption to these limits as defined in the Annexes of Directive 2000/53/EC (ELV). Regarding the REACH Regulation, the information TE provides on SVHC in articles for this part number is based on the latest European Chemicals Agency (ECHA) 'Guidance on requirements for substances in articles' posted at this URL: <https://echa.europa.eu/guidance-documents/guidance-on-reach>

Compatible Parts



TE Part # 5650897-5
ASSY,RECEPT,EURO,TYPE R,L-FREE,
A&C,64/96



TE Part # 166811-2
RV100 FEM CON 2X32P



TE Part # 5148296-2
ASSY,RECEPT,EUROCARD,TYPE R,L-
FREE,A&B,6



TE Part # 5650897-4
ASSY,RECEPT,EURO,TYPE R,L-FREE,
A&C,64/96



TE Part # 5650408-5
ASSEMBLY,RECEPTACLE,EURO,TYPE

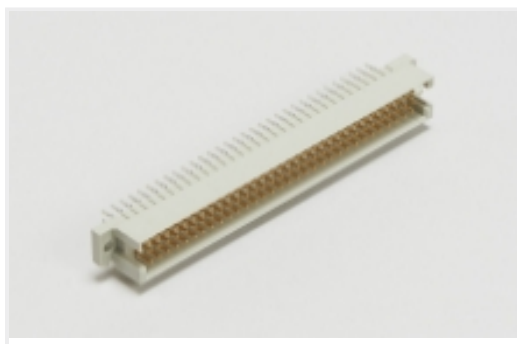


TE Part # 5650870-4
ASSEMBLY,RECEPTACLE,EURO,TYPE

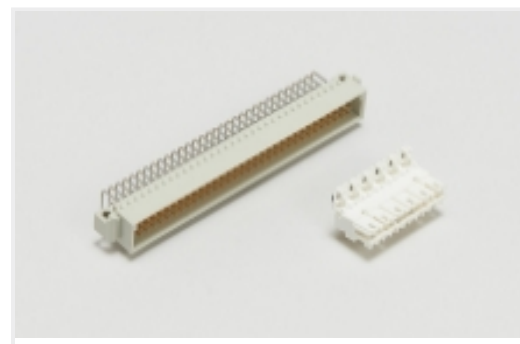


TE Part # 5650870-5
ASSEMBLY,RECEPTACLE,EURO,TYPE

Also in the Series | Eurocard Type R

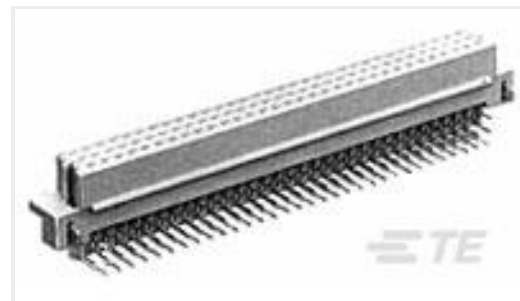
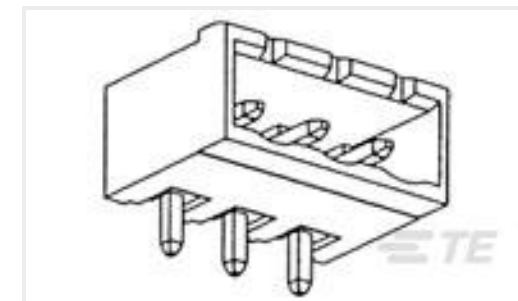


Eurocard Connectors(80)



Standard Edge Connectors(1)

Customers Also Bought

TE Part #5787394-5
50 50SR R/A RCPT ASSY, LD FREETE Part #5650462-4
ASSY,RECEPTACLE,EUROCARD,TYPETE Part #350790-1
03P UMNL PIN HDR ASSY 94VOTE Part #4-794632-2
12P MICRO MNL ASSY,VRT,HDR,LFTE Part #1-770170-1
03P MINI UMNL ASSY VO SNAU LFTE Part #42214-2
250 FASTON TAB TPBRTE Part #4-794620-4
14P MICRO MNL ASSY,R/A,HDR,LFTE Part #1776038-5
5P 5.08 R/A HDR,CLOSED ENDTE Part #5745183-2
09 RCPT SP/MS STDTE Part #5-103904-7
08 MTE HDR SRRA LATCH W/HLDWN

Documents

Product Drawings

V42254B1202R963=PC612 MESSERLE

English

CAD Files

3D PDF

3D

Customer View Model

ENG_CVM_CVM_4-1393659-7_B.2d_dxf.zip



English

Customer View Model

[ENG_CVM_CVM_4-1393659-7_B.3d_igs.zip](#)

English

Customer View Model

[ENG_CVM_CVM_4-1393659-7_B.3d_stp.zip](#)

English

By downloading the CAD file I accept and agree to the [Terms and Conditions](#) of use.