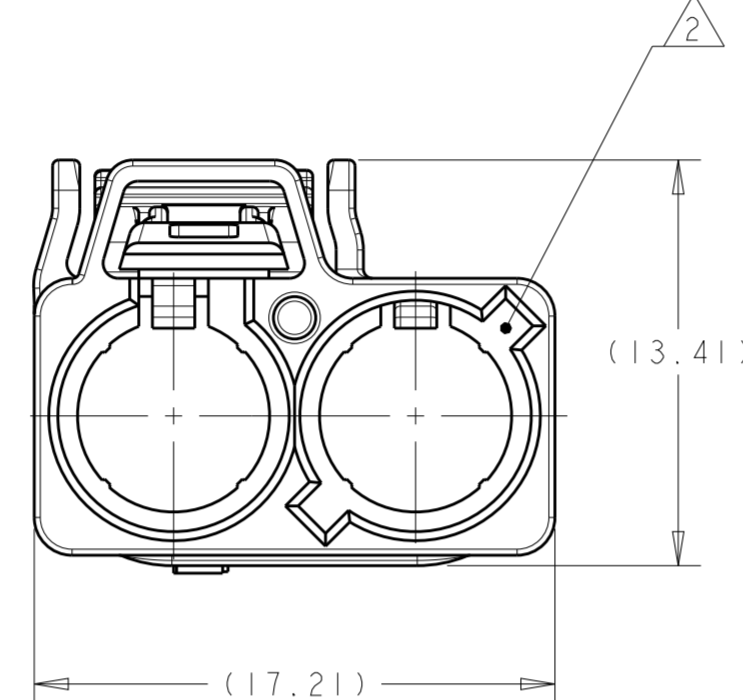
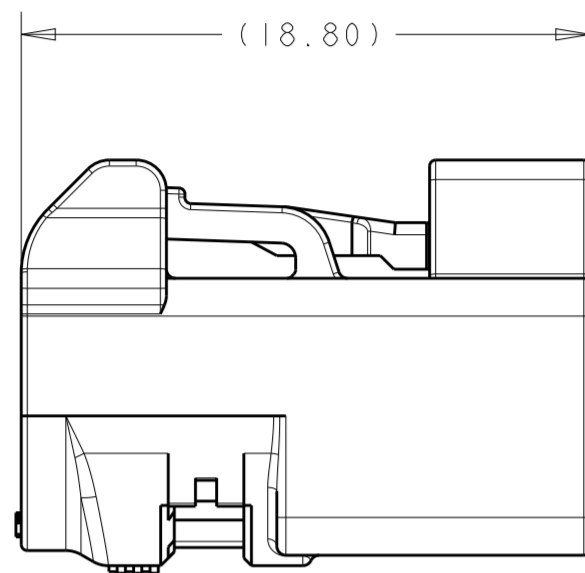
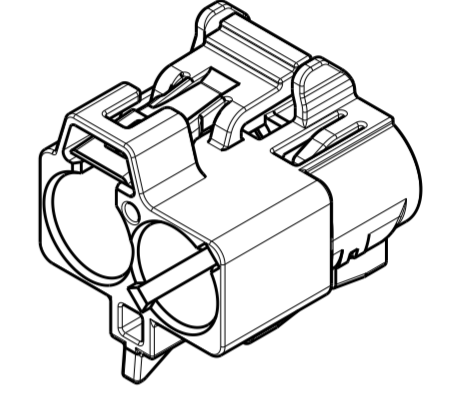
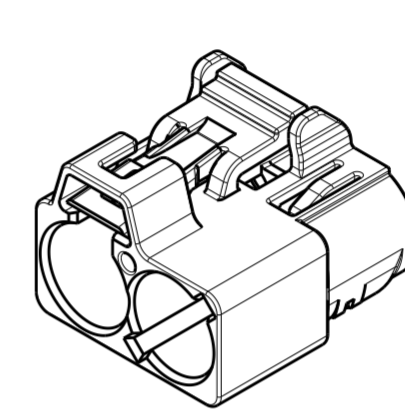


THIS DRAWING IS UNPUBLISHED. RELEASED FOR PUBLICATION 20  
 © COPYRIGHT 20 BY - ALL RIGHTS RESERVED.

REVISIONS				
P	LTR	DESCRIPTION	DATE	APVD
E1		REVISED ECO-14-004713	27MAR2014	KP LV
E2		REVISED ECO-16-001206	28JAN2016	DD LV
E3		ECO-16-010770	20JUL2016	KP LV

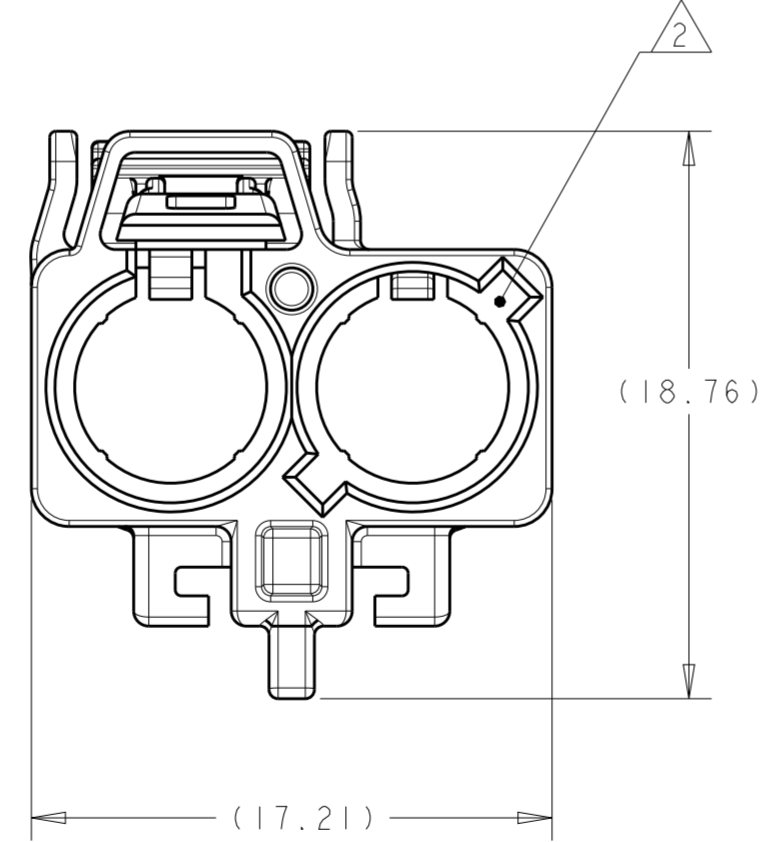
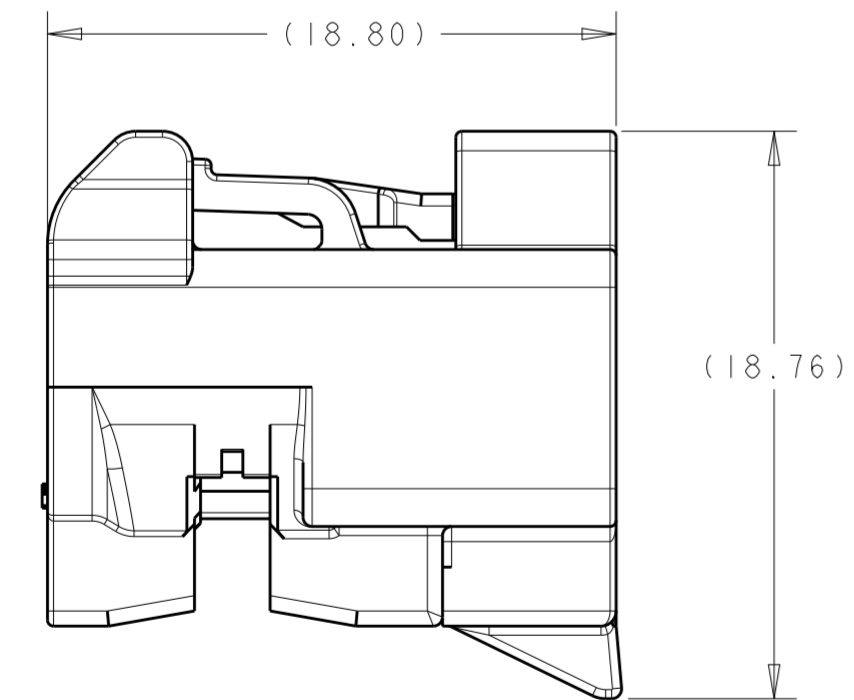


- ① POLYESTER PBT, COLOR: SEE TABLE.
- ② PLUG HOUSING ACCEPTS JACK HOUSINGS MEETING DIN 72594-1, ROAD VEHICLES - RADIO FREQUENCY INTERFACE - DIMENSIONS AND ELECTRICAL REQUIREMENTS.
- ③ PART CREATED WITH MOLDED CLIP SLOT.
- ④ PART HAS NOT BEEN TOOLED CONTACT TE.



ISOMETRIC VIEW  
SCALE 2:1

ISOMETRIC VIEW  
SHOWN WITH CLIP SLOT  
SCALE 2:1



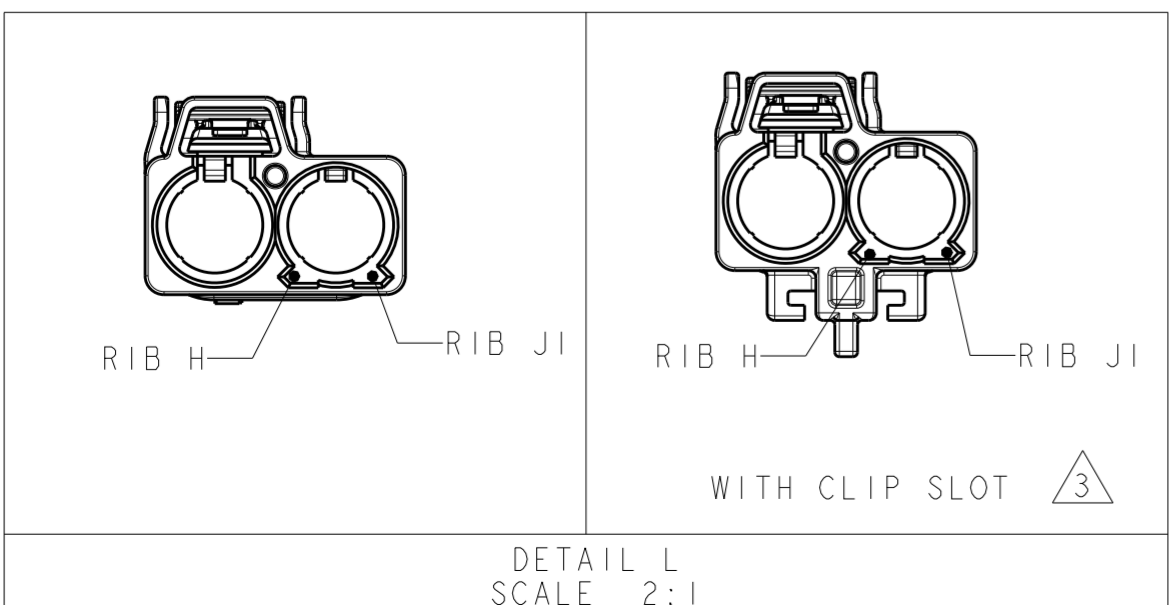
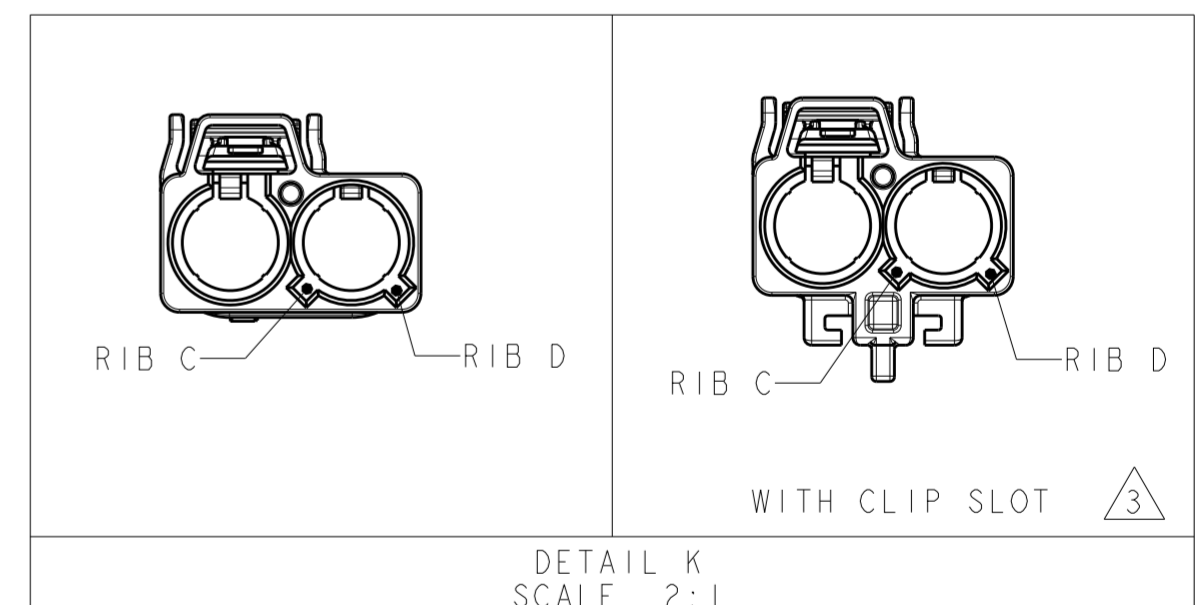
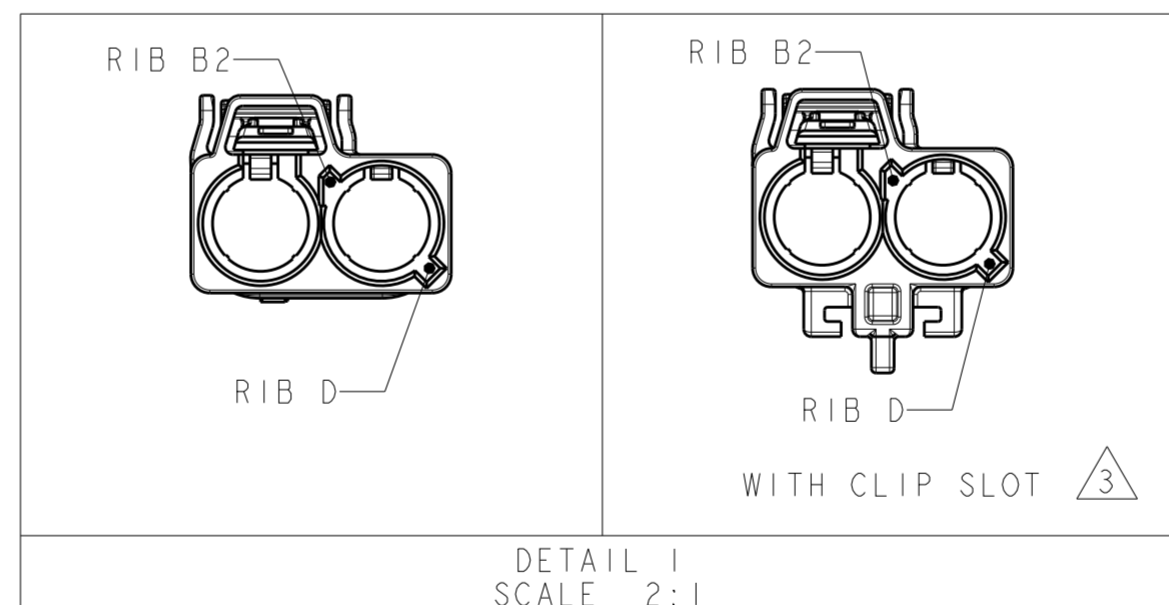
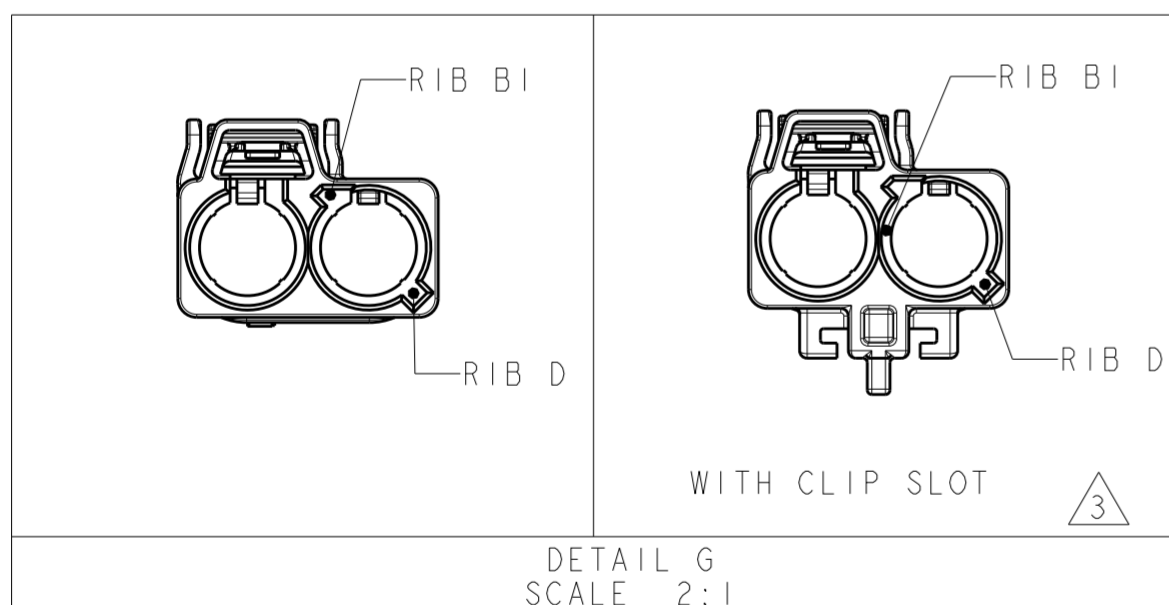
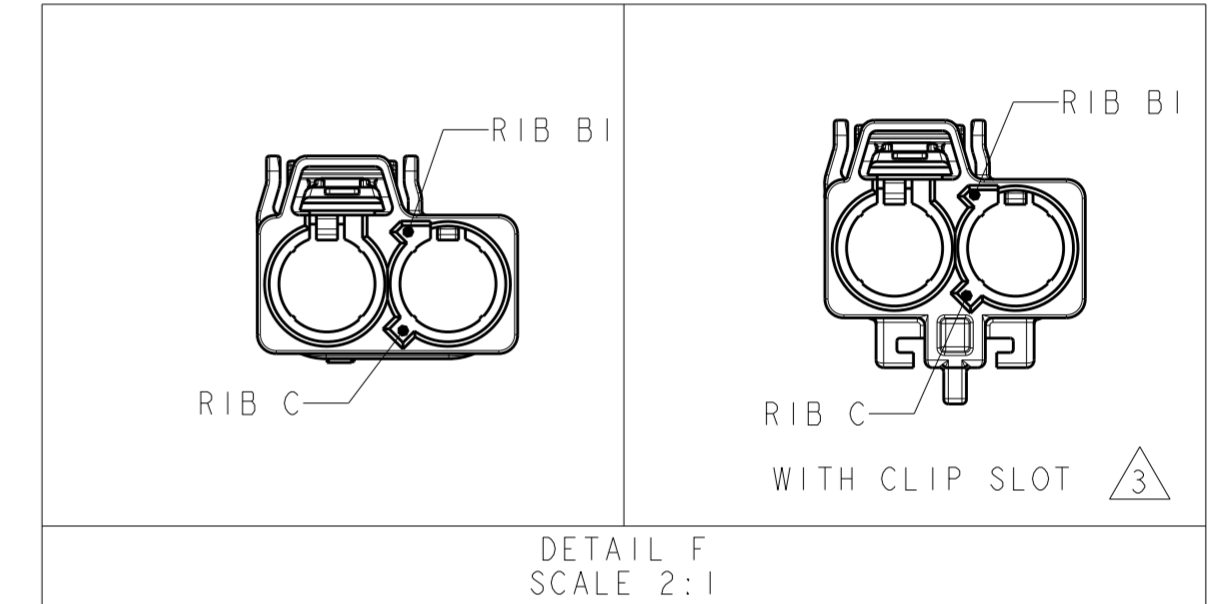
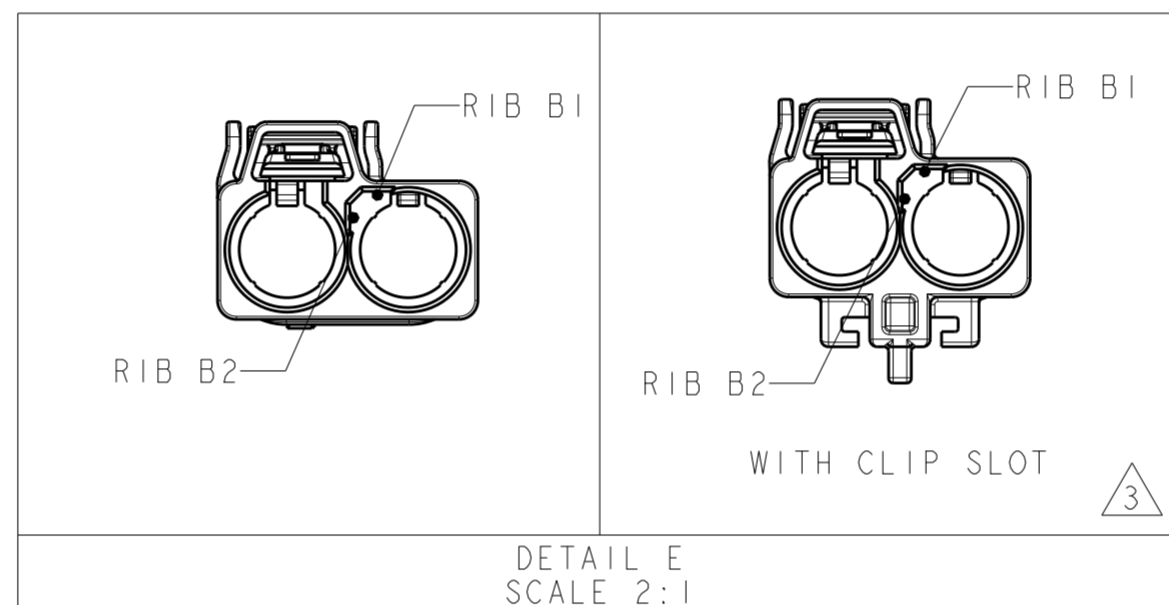
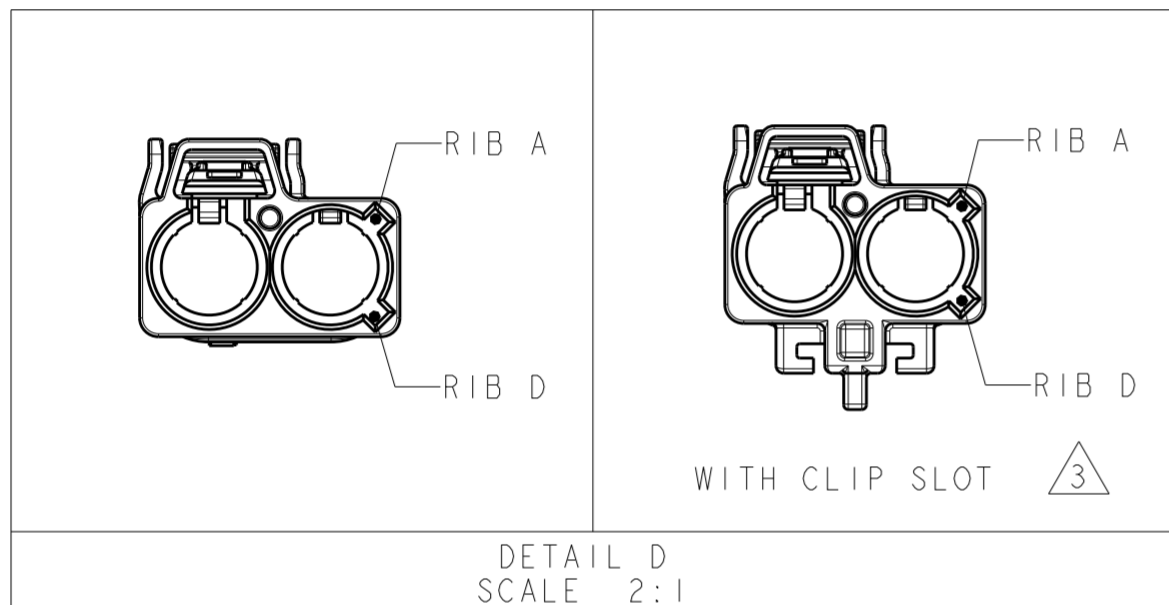
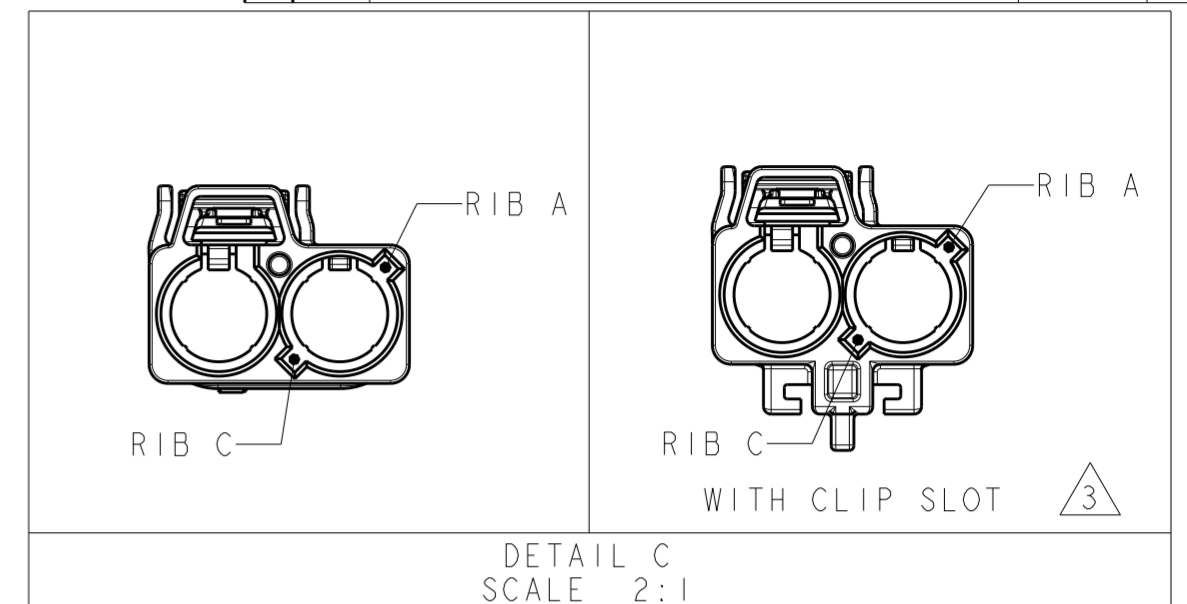
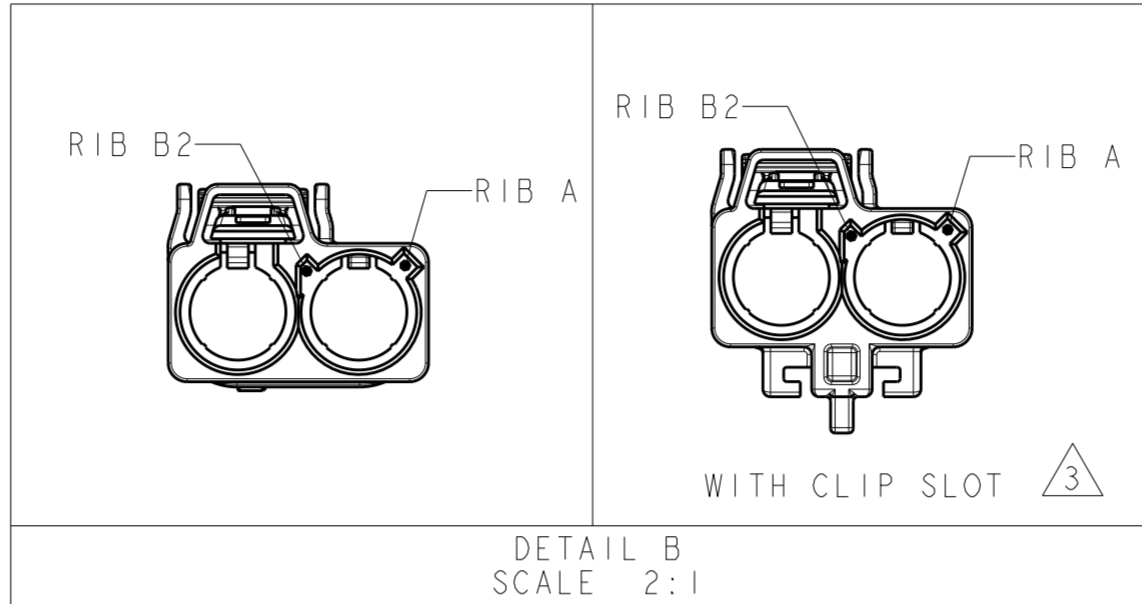
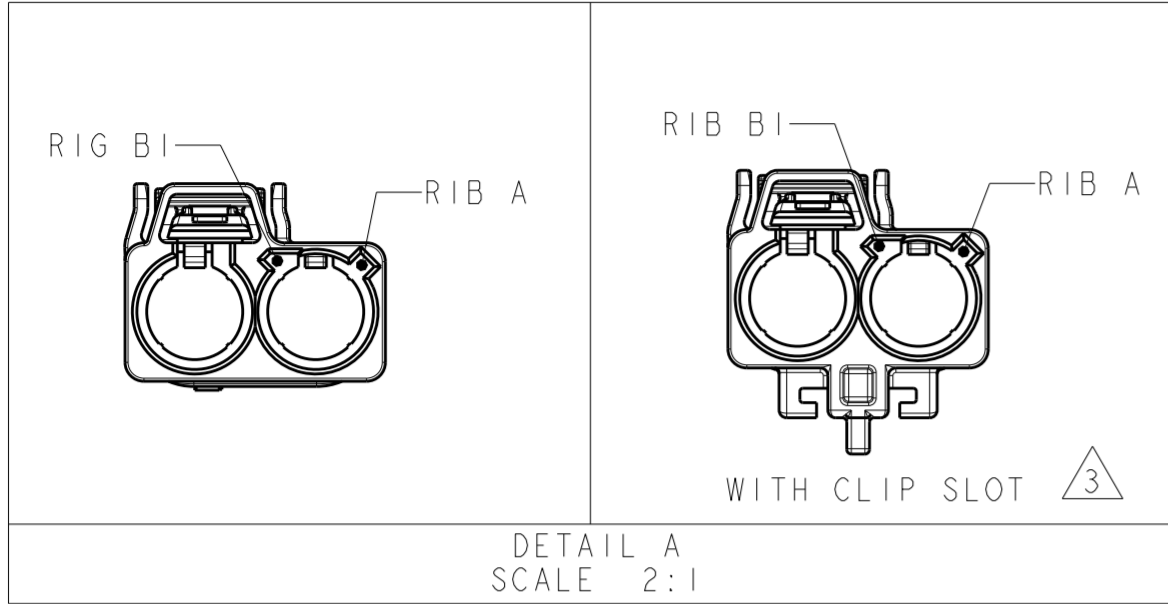
SHOWN WITH OPTIONAL CLIP SLOT

④ ③	PER DETAIL L	L	CARMINE RED	6-1924856-1
③	PER DETAIL K	K	CURRY	6-1924856-0
④ ③	PER DETAIL I	I	BEIGE	5-1924856-9
④ ③	PER DETAIL G	G	BLUE GREY	5-1924856-7
③	PER DETAIL F	F	NUT BROWN	5-1924856-6
④ ③	PER DETAIL E	E	LEAF GREEN	5-1924856-5
③	PER DETAIL D	D	CLARET VIOLET	5-1924856-4
③	PER DETAIL C	C	SIGNAL BLUE	5-1924856-3
③	PER DETAIL B	B	SIGNAL WHITE	5-1924856-2
③	PER DETAIL A	A	BLACK	5-1924856-1
④	PER DETAIL L	L	CARMINE RED	1-1924856-1
	PER DETAIL K	K	CURRY	1-1924856-0
④	PER DETAIL I	I	BEIGE	1924856-9
④	PER DETAIL G	G	BLUE GREY	1924856-7
④	PER DETAIL F	F	NUT BROWN	1924856-6
	PER DETAIL E	E	LEAF GREEN	1924856-5
	PER DETAIL D	D	CLARET VIOLET	1924856-4
	PER DETAIL C	C	SIGNAL BLUE	1924856-3
	PER DETAIL B	B	SIGNAL WHITE	1924856-2
	PER DETAIL A	A	BLACK	1924856-1
	KEYING	CODING REF	HOUSING COLOR	PART NUMBER.

THIS DRAWING IS A CONTROLLED DOCUMENT.		DWN K PETERSON 26AUG2004	TE Connectivity	
DIMENSIONS: mm		CHK L VARSIK 26AUG2004		
TOLERANCES UNLESS OTHERWISE SPECIFIED:		APVD L VARSIK 26AUG2004	NAME PLUG HOUSING, 2 POSITION, 8.0mm,	
0 PLC ±	1 PLC ±	PRODUCT SPEC	SIZE CAGE CODE DRAWING NO	
2 PLC ±	3 PLC ±	APPLICATION SPEC	RESTRICTED TO	
4 PLC ±	ANGLES ±	114-13157	A200779 C-1924856	
MATERIAL	FINISH	WEIGHT	SCALE 4:1 SHEET 1 OF 2 REV E3	
- ①	-	-	CUSTOMER DRAWING	

THIS DRAWING IS UNPUBLISHED. RELEASED FOR PUBLICATION 20  
 © COPYRIGHT 20 BY - ALL RIGHTS RESERVED.

REVISIONS				
P	LTR	DESCRIPTION	DATE	APVD
-	-	SEE SHEET 1	-	-



THIS DRAWING IS A CONTROLLED DOCUMENT.		DWN K. PETERSON 26AUG2004	 TE Connectivity	NAME PLUG HOUSING, 2 POSITION, 8.0mm,	
DIMENSIONS: mm		CHK L. VARSIK 26AUG2004		SIZE A200779	
TOLERANCES UNLESS OTHERWISE SPECIFIED: 0 PLC ± 1 PLC ± 2 PLC ± 3 PLC ± 4 PLC ± ANGLES ± FINISH		APVD L. VARSIK 26AUG2004		DRAWING NO C-1924856	
MATERIAL -		PRODUCT SPEC -		RESTRICTED TO -	
-		APPLICATION SPEC 114-13157	SCALE 4:1		
-		WEIGHT -	SHEET 2 OF 2		
-		CUSTOMER DRAWING	REV E3		