

## D-SUB FEMALE CONNECTOR WITH METAL SHELL



### PHYSICAL PROPERTIES

INSULATION MATERIAL: Glass reinforced thermoplastic rated UL 94V-0

COLOR: Black

CONTACTS: Copper alloy, selective gold over 50 microinches min. nickel underplate overall

Shell: Tin plated steel

### ELECTRICAL PROPERTIES

CURRENT RATING: 1 Amp

INSULATION RESISTANCE: >1000 Megohms @ 500VDC

DWV: >500 VRMS at sea level

### ENVIRONMENTAL PROPERTIES

TEMPERATURE RATING: -55°C TO 125°C

### APPLICATION TOOLING

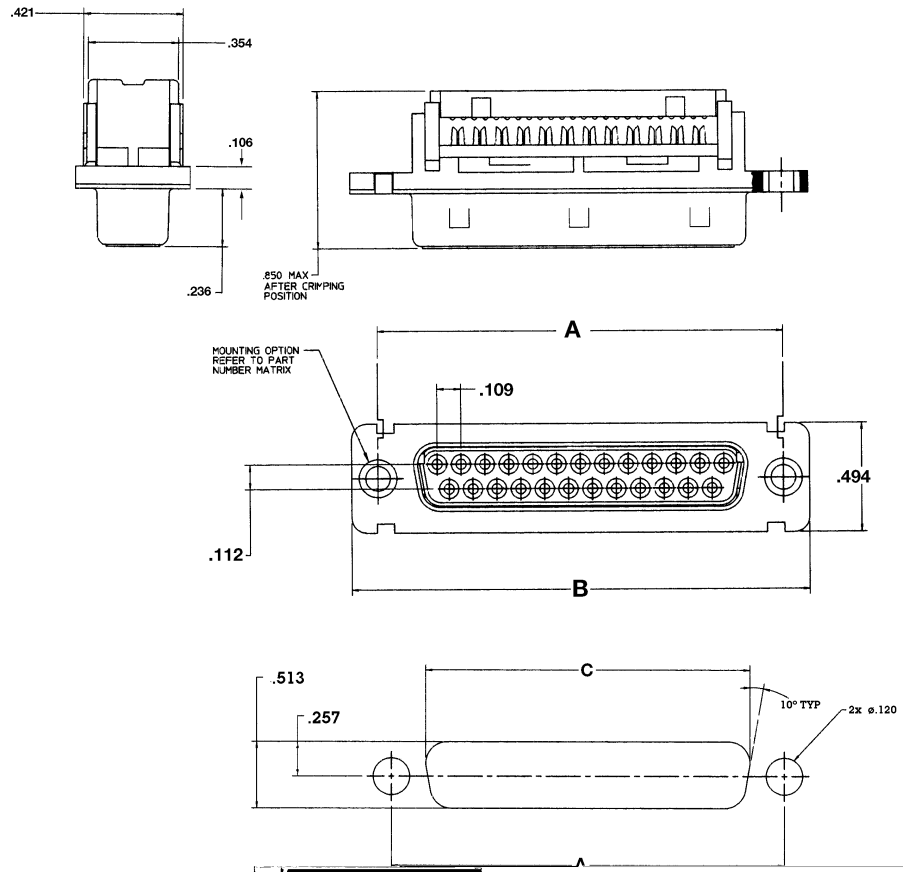
<b>HAND TOOL</b>	779-2100
use Die	779-2179636
<b>BENCH PRESS (MANUAL)</b>	779-3200
use Platen	779-3130
use Base Plate	779-3179636
<b>BENCH PRESS (PNEUMATIC)</b>	779-3500XT
use Platen	779-3130
use Base Plate	779-3179636

### CABLE

See pages 108-120

### ACCESSORIES

<b>STRAIN RELIEF:</b>	636-09SR
(not shown)	636-15SR
	636-25SR
	636-37SR



**RECOMMENDED PANEL CUTOUT DIMENSIONS**

### Ordering Information

NO. OF POS.	CATALOG NUMBER				A	B	C
	.120 MIN. THRU HOLE OF 15µ" GOLD ON CONTACT AREA	.120 MIN. THRU HOLE SELECTIVELY PLATED 30µ" GOLD ON CONTACT AREA OVER 50µ" MIN NICKEL UNDERPLATE	THREADED INSERT 4-40 UNC-2B THRU 15µ" GOLD ON CONTACT AREA	THREADED INSERT 4-40 UNC-2B THRU SELECTIVELY PLATED 30µ" GOLD ON CONTACT AREA OVER 50µ" MIN NICKEL UNDERPLATE			
9	636-09SM	636-09SMP001	636-09SM1	636-09SM1P001	24.99 (.984)	30.78 (1.212)	60.73 (2.391)
15	636-15SM	636-15SMP001	636-15SM1	636-15SM1P001	33.32 (1.312)	39.09 (1.539)	44.27 (1.743)
25	636-25SM	636-25SMP001	636-25SM1	636-25SM1P001	47.04 (1.852)	53.09 (2.090)	30.53 (1.202)
37	636-37SM	636-37SMP001	636-37SM1	636-37SM1P001	63.50 (2.500)	69.39 (2.732)	22.20 (.874)

## D-SUB MALE CONNECTOR WITH METAL SHELL



LR92984 E60980



### PHYSICAL PROPERTIES

INSULATION MATERIAL: Glass reinforced thermoplastic rated UL 94V-0

COLOR: Black

CONTACTS: Copper alloy, selective gold over 50

microinches min. nickel underplate overall

Shell: Tin plated steel

### ELECTRICAL PROPERTIES

CURRENT RATING: 1 Amp

INSULATION RESISTANCE: >1000 Megohms @ 500VDC

DWV: >500 VRMS at sea level

### ENVIRONMENTAL PROPERTIES

TEMPERATURE RATING: -55°C TO 125°C

### APPLICATION TOOLING

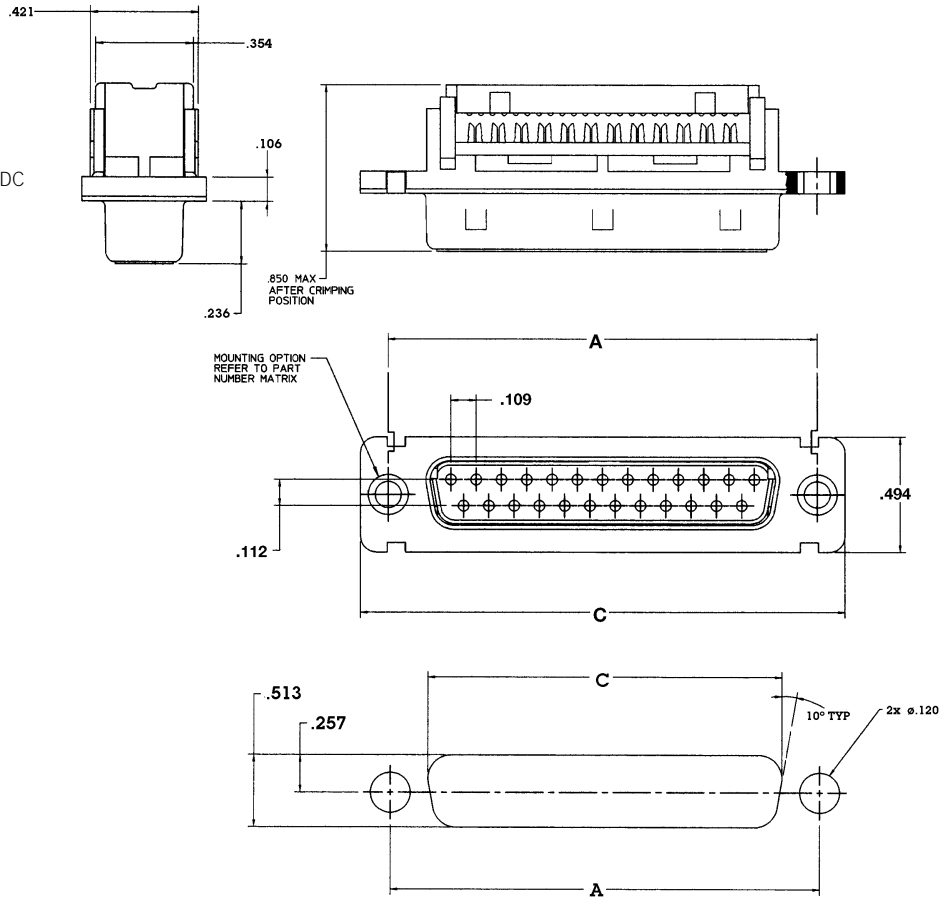
<b>HAND TOOL</b>	779-2100
use Die	779-2179636
<b>BENCH PRESS (MANUAL)</b>	779-3200
use Platen	779-3130
use Base Plate	779-3179636
<b>BENCH PRESS (PNEUMATIC)</b>	779-3500XT
use Platen	779-3130
use Base Plate	779-3179636

### CABLE

See pages 108-120

### ACCESSORIES

<b>STRAIN RELIEF:</b>	636-09SR
(not shown)	636-15SR
	636-25SR
	636-37SR



**RECOMMENDED PANEL CUTOUT DIMENSIONS**

### Ordering Information

NO. OF POS.	CATALOG NUMBER				A	B	C
	.120 MIN. THRU HOLE OF 15µ" GOLD ON CONTACT AREA	.120 MIN. THRU HOLE SELECTIVELY PLATED 30µ" GOLD ON CONTACT AREA OVER 50µ" MIN NICKEL UNDERPLATE	THREADED INSERT 4-40 UNC-2B THRU 15µ" GOLD ON CONTACT AREA	THREADED INSERT 4-40 UNC-2B THRU SELECTIVELY PLATED 30µ" GOLD ON CONTACT AREA OVER 50µ" MIN NICKEL UNDERPLATE			
9	636-09PM	636-09PMP001	636-09PM1	636-09PM1P001	24.99 (.984)	30.78 (1.212)	60.73 (2.391)
15	636-15PM	636-15PMP001	636-15PM1	636-15PM1P001	33.32 (1.312)	39.09 (1.539)	44.27 (1.743)
25	636-25PM	636-25PMP001	636-25PM1	636-25PM1P001	47.04 (1.852)	53.09 (2.090)	30.53 (1.202)
37	636-37PM	636-37PMP001	636-37PM1	636-37PM1P001	63.50 (2.500)	69.39 (2.732)	22.20 (.874)