



**Triad J Series Transformers
Return With Classic Sound
For A New Generation**



The Legendary J Series Is Back!

Triad's classic J Series Transformer design comes out of the vault with its legendary performance pedigree and more. Born in the 1950s, the J Series Transformers features high-nickel laminations, paper section windings and a specially tooled mu-metal shielding enclosure. Long recognized by engineers for its quality sound, today's J Series is ideal for new or vintage audio gear, sound processing and analog studio recording equipment.

- **Shielded audio impedance matching design for a warm signal.**
- **Single-hole mounting allows rotation for maximum hum reduction.**
- **Vintage circuitry, premium materials, hand-crafted quality.**
- **Made in the U.S.A.**
- **Call for free samples and advance orders with priority delivery.**

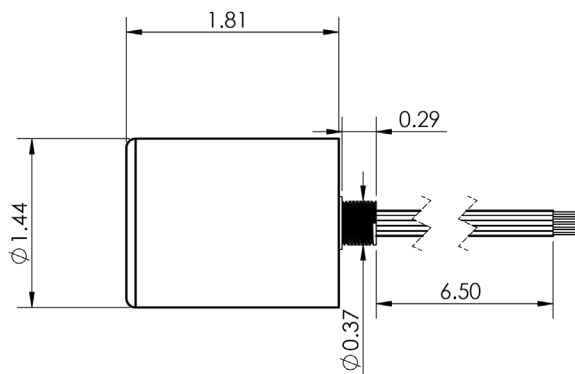
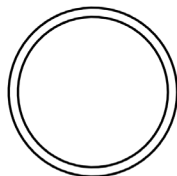


TRIAD
M A G N E T I C S

The J Series Transformers

Item #	Power Level	Primary Impedance	Secondary Impedance	DC Resistance (Primary)	DC Resistance (Secondary)	Overall Turns Ratio
A-9J	1 mW	50 Ohm 250 Ohm 600 Ohm	85000 Ohm	32.7 Ohm	3450 Ohm	1:12
A-10J	1 mW	150 Ohm 600 Ohm	60000 Ohm	33.7 Ohm	4040 Ohm	1:10.5
A-80J	1 mW	225 Ohm 900 Ohm	60000 Ohm	53.4 Ohm	4178 Ohm	1:8.7
A-11J	10 mW	50 Ohm 250 Ohm 600 Ohm	60000 Ohm	50 Ohm	5000 Ohm	1:10
A-12J	10 mW	150 Ohm 600 Ohm	60000 Ohm	50 Ohm	4920 Ohm	1:10
A-13J	1 mW	50 Ohm 110 Ohm 200 Ohm 300 Ohm 600 Ohm	150 Ohm 600 Ohm	62 Ohm	70 Ohm	1:1
A-52J	100 mW	125 Ohm 500 Ohm	500 Ohm 2000 Ohm	50 Ohm	200 Ohm	1:2
A-56J	100 mW	125 Ohm 500 Ohm	4 Ohm 16 Ohm	50 Ohm	1.5 Ohm	5.6:1
A-64J	500 mW	25 Ohm 100 Ohm	10 Ohm 40 Ohm	10 Ohm	4 Ohm	1.58:1
A-70J	100 mW	125 Ohm 500 Ohm	25 Ohm 100 Ohm	50 Ohm	10 Ohm	2.24:1
A-79J	200 mW	1000 Ohm	50 Ohm 200 Ohm	302 Ohm	138 Ohm	2.2:1
A-58J	100 mW	2500 Ohm 10000 Ohm	500 Ohm 2000 Ohm	1000 Ohm	200 Ohm	2.24:1
A-40J	10 mW	15000 Ohm	115000 Ohm	1540 Ohm	4020 Ohm	1:2.76
A-41J	32 mW	15000 Ohm	80000 Ohm	1392 Ohm	8109 Ohm	1:2.3
A-55J	100 mW	15000 Ohm	50 Ohm 250 Ohm 600 Ohm	1020 Ohm	46 Ohm	5:1
A-61J	50 mW	150 Ohm 600 Ohm	150 Ohm 600 Ohm	47 Ohm	40 Ohm	1.4:1:1
A-65J	100 mW	15000 Ohm	150 Ohm 600 Ohm	1630 Ohm	73 Ohm	5:1
A-66J	100 mW	15000 Ohm	50 Ohm 250 Ohm 600 Ohm	1740 Ohm	81.2 Ohm	5:1
A-68J	100 mW	15000 Ohm	150 Ohm 600 Ohm	1723 Ohm	81 Ohm	5:1
A-69J	100 mW	6250 Ohm 25000 Ohm	125 Ohm 500 Ohm	2500 Ohm	50 Ohm	7.1:1
A-78J	100 mW	2000 Ohm	150 Ohm 600 Ohm	112 Ohm	48.5 Ohm	1.82:1
A-57J	50 mW	50 Ohm 250 Ohm 600 Ohm	50 Ohm 250 Ohm 600 Ohm	40 Ohm	44 Ohm	1:1
A-67J	50 mW	150 Ohm 600 Ohm	150 Ohm 600 Ohm	43.8 Ohm	44.1 Ohm	1:1
A-75J	N/A	16 Ohm	N/A	470 Ohm	N/A	N/A

Dimensions (inches)



This part includes a 3/8"-32 hex nut and a 3/8" lock washer

Mouser Electronics

Authorized Distributor

Click to View Pricing, Inventory, Delivery & Lifecycle Information:

[Triad Magnetics:](#)

[A-68J](#) [A-65J](#) [A-56J](#) [A-52J](#) [A-57J](#) [A-79J](#) [A-40J](#) [A-58J](#) [A-55J](#) [A-13J](#) [A-69J](#) [A-78J](#) [A-41J](#) [A-66J](#)