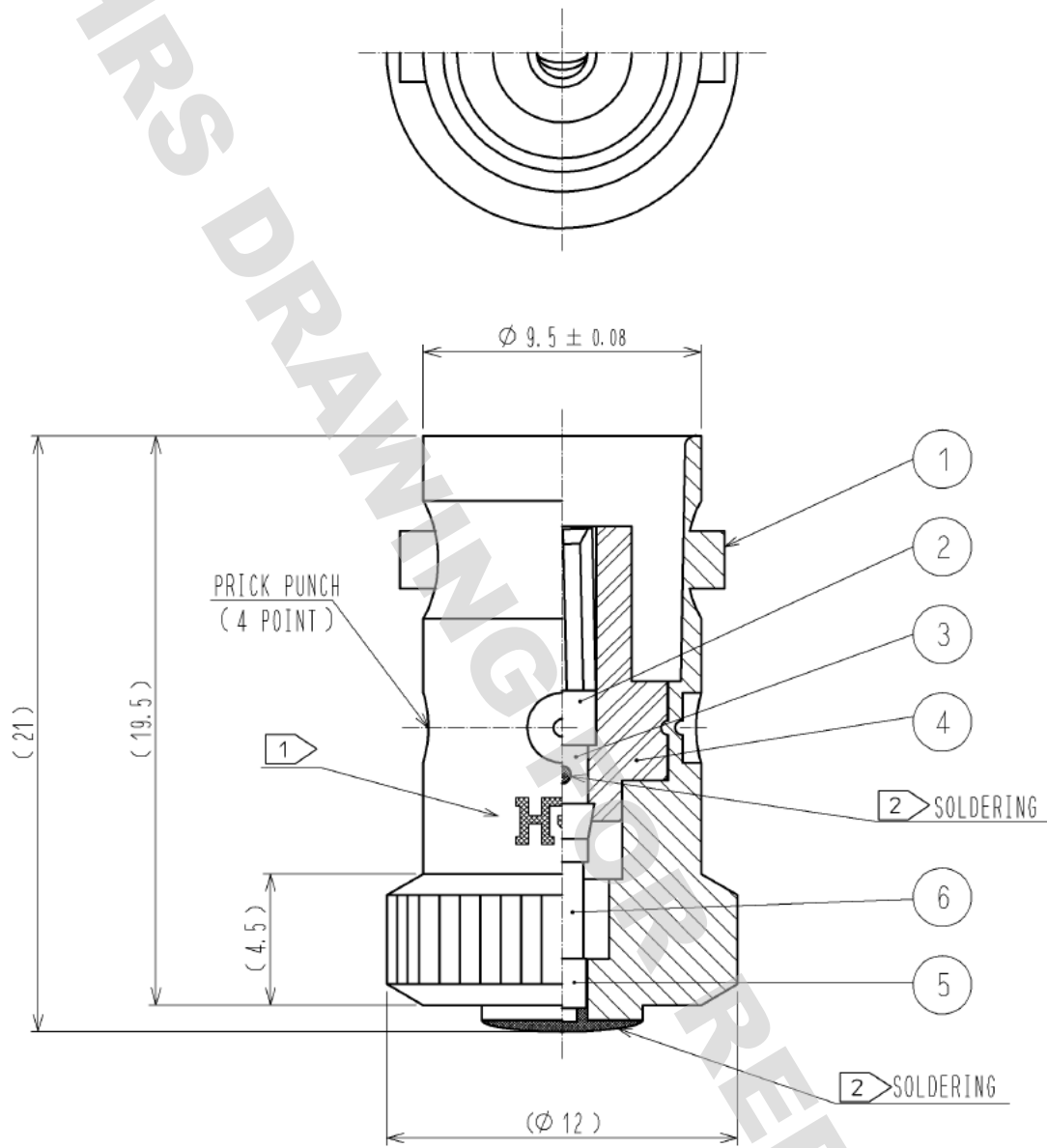


DRAWING FOR REFERENCE: This is subject to change without notice
05/31/2013



NOTES 1 HRS MARKING SHALL BE INDICATED AT THE POSITION AS SHOWN.
50Ω AT THE REVERSE SIDE.
2 USE LEAD FREE SOLDER(Sn3.0Ag0.5Cu).

3	BRASS	GOLD PLATING	6	RESISTANCE	50Ω
2	BERYLLIUM COPPER	GOLD PLATING	5	BRASS	GOLD PLATING
1	BRASS	NICKEL PLATING	4	PTFE	
NO.	MATERIAL	FINISH , REMARKS	NO.	MATERIAL	FINISH , REMARKS

UNITS mm		SCALE 4 : 1	COUNT 	DESCRIPTION OF REVISIONS	DESIGNED	CHECKED	DATE
HRS HIROSE ELECTRIC CO., LTD.		APPROVED : MT. SHIBUTANI 12. 04. 20	DRAWING NO. EDC4-030427-02				
		CHECKED : TK. SAWAGUCHI 12. 04. 20	PART NO. BNC-TMJ-05(52)				
		DESIGNED : KY. SHIMIZU 12. 04. 19	CODE NO. CL353-0095-7-52				
		DRAWN : KY. SHIMIZU 12. 04. 19			1/1		