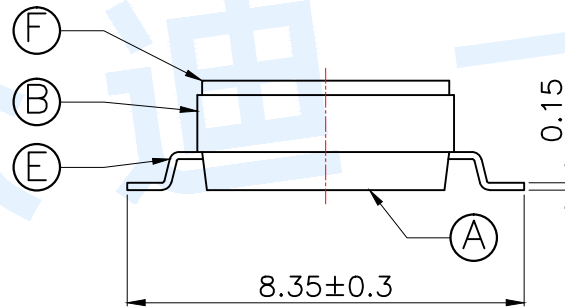
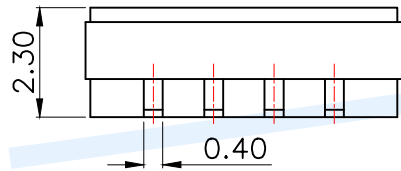
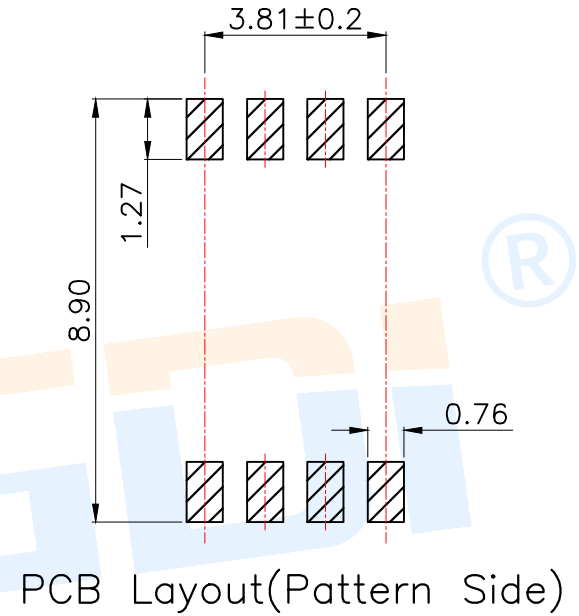
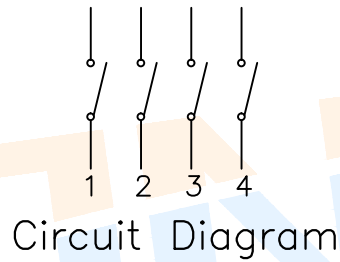
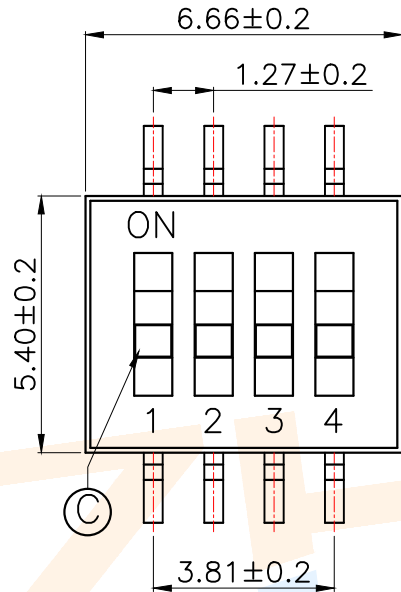


RoHS



NOTE:
 1.Rating: 24V 25mA DC
 2.Insulation Resistance: ≥100 MΩ
 3.Withstand voltage:AC 500V 1Minute
 4.Operating Force Range: 1000gf Max
 5.Mechanical Life:3,000 Cycles

Ⓕ	Dust film		1	Polyimide tape	
Ⓖ	Terminal		8	Phosphor bronze	Gold plating
Ⓓ	Contact spring		4	Phosphor bronze	Gold plating
Ⓒ	Handle		4	PA46	White
Ⓑ	Cover		1	PPS	Black
Ⓐ	Base		1	PPS	Black
NO.	Name	Number	Qty	Materil	Remarks

ZHONGDI® Zhongdi Electronic Technology Co., Ltd

design	date	name	DIP SWITCH
Review	date	model	DSHP-04
Approved	date		

Drawing number: Proportion 1:1 unit mm gage number A4

modify Review Approved Tolerance not specified