

# 規格承認書

PECIFICATION FOR APPROVAL

客戶

CUSTOMER : \_\_\_\_\_

項目

ITEM : 双指向/降噪型驻极体电容咪头 (ECM) \_\_\_\_\_

型號

TYPE : GMI9752N-2C66DB \_\_\_\_\_

描述

DESCRIPTION :  $\phi 9.7 \times H5.2\text{mm}$  焊点 1033 -66dB 2.0V  $\leq 2.2\text{K}\Omega$   $\leq 0.5\text{mA}$  S/N:  $\geq 58\text{ dBA}$

客戶料號

CUSTOMER NO. : C530252 \_\_\_\_\_

規格書號

SPECIFICATION NO.: \_\_\_\_\_

版本

EDITION NO. : V1.0 \_\_\_\_\_

日期

DATE : 2025-8-11 \_\_\_\_\_

## 客戶承認

### CUSTOMER CONFIRM AND SIGN

| 檢查<br>TESTED BY | 審核<br>CHECKED BY | 承認<br>APPROVED BY |
|-----------------|------------------|-------------------|
|                 |                  |                   |

## 東莞市贏海電子有限公司

### DONGUAN INGHAI ELECTRONICS CO.,LTD

| 製作<br>ISSUED BY | 審查<br>CHECKED BY | 確認<br>APPROVED BY |
|-----------------|------------------|-------------------|
| 刘宏波             | 刘承成              | 李海飞               |

地址：廣東省東莞市長安鎮廈邊元灶頭工業區 16-6 號

電話 / TEL: 0769-83060958 傳真 / FAX: 0769-81608993

網址: [HTTP://WWW.INGHAI.COM](http://www.inghai.com)

## A. SCOPE

This specification applies electret condenser microphone, GMI9752N-2C66DB

## B. SPECIFICATION

■ Test condition: RL=2.2KΩ VS=2.0V TEMP=25°C±2°C Related humidity=65±5%

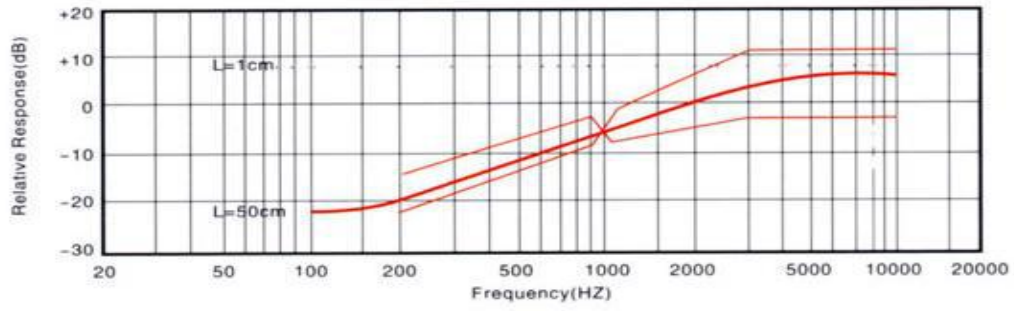
| No. | Item                       | Symbol        | Unit | Specification    | Condition                          |
|-----|----------------------------|---------------|------|------------------|------------------------------------|
| 1   | Directivity                |               |      | Noise-Cancelling |                                    |
| 2   | Sensitivity                | <b>S</b>      | dB   | -66±3            | f=1KHz, 0dB=1V/ Pa                 |
| 3   | Standard operating voltage | <b>Vs</b>     | V    | 2.0              |                                    |
| 4   | Output impedance           | <b>Zout</b>   | KΩ   | ≤2.2             | f=1KHz, 1Pa                        |
| 5   | Frequency                  |               | Hz   | 100-10,000       |                                    |
| 6   | Max operating voltage      |               | V .  | 10               |                                    |
| 7   | Sensitivity reduction      | △ <b>S-Vs</b> | dB   | -3               | f=1KHz, 1Pa<br>vs=4.0VDC to 2.0VDC |
| 8   | Max. current consumption   | <b>IDSS</b>   | mA   | ≤0.5             |                                    |
| 9   | Signal to noise ration     | <b>S/N</b>    | dBA  | ≥58              |                                    |
| 10  | Max input sound level      | <b>SPL</b>    | dB   | 110              |                                    |
| 11  | Operation temp.            |               | °C   | -20 ~+60         |                                    |
| 12  | Storage temp.              |               | °C   | -30 ~+70         |                                    |
| 13  | Dimension                  |               | mm   | φ9.7xH5.2        | See appearance drawing             |
| 14  | Terminal                   |               |      | Terminal         | See appearance drawing             |
| 15  | Approvals                  |               |      | RoHs FCC         |                                    |

We use “Pascal(Pa)” indication of sensitivity as per the recommendation of I.E.C.(International Electro technical Commission)

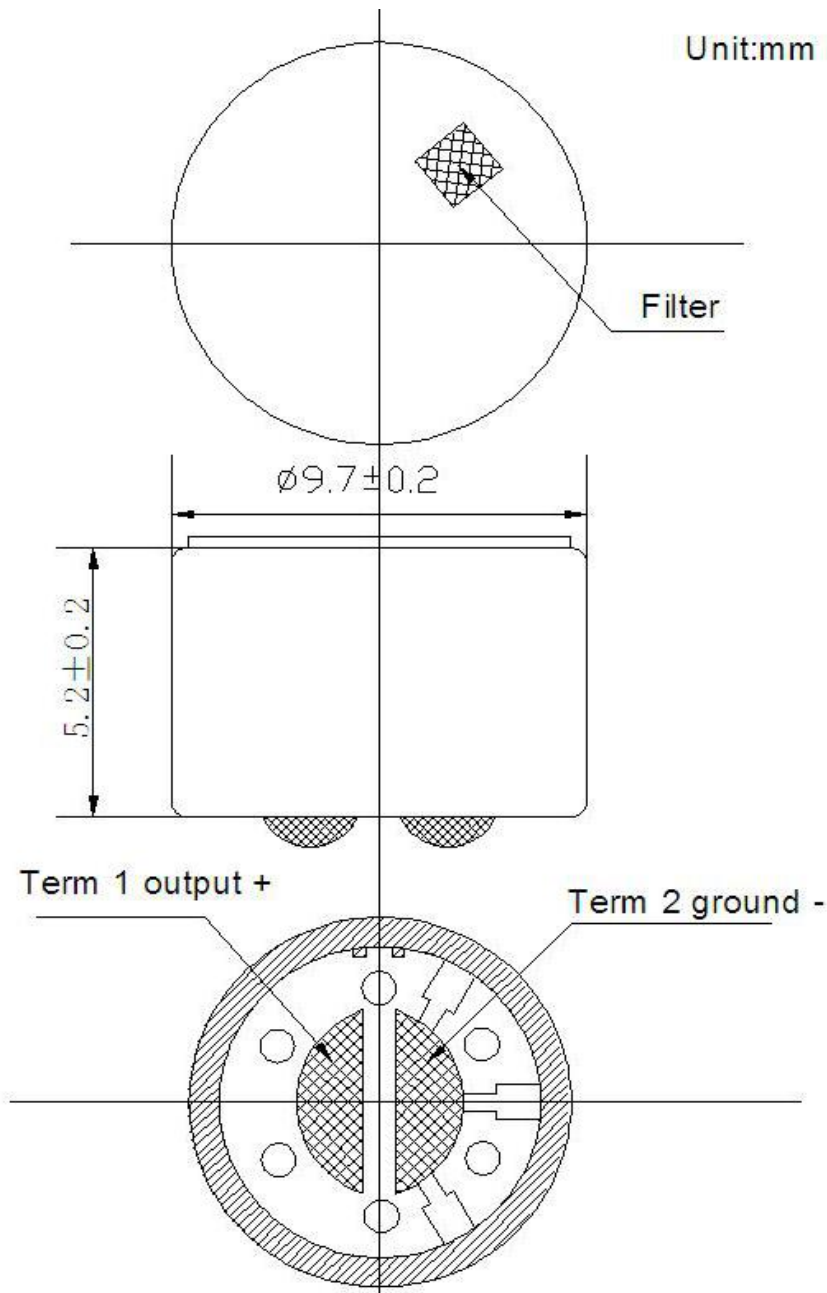
The Sensitivity of “Pa” will increase 20dB comparing with “ubar” indication

Example: -60dB(0dB=1V/ubar) =-40dB(1V/Pa)

### C.TYPICAL FREQUENCY RESPONSE CURVE

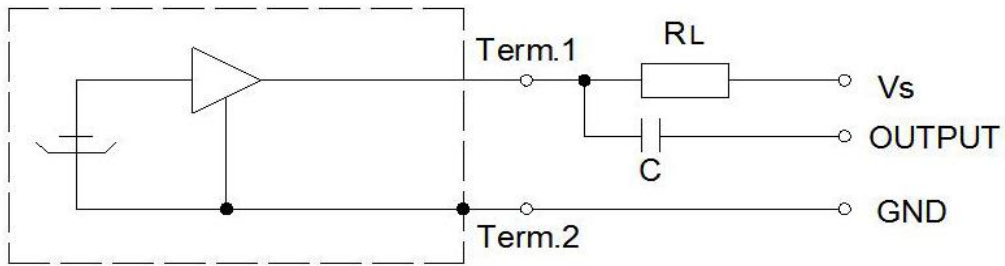


### D. APPEARANCE DRAWING

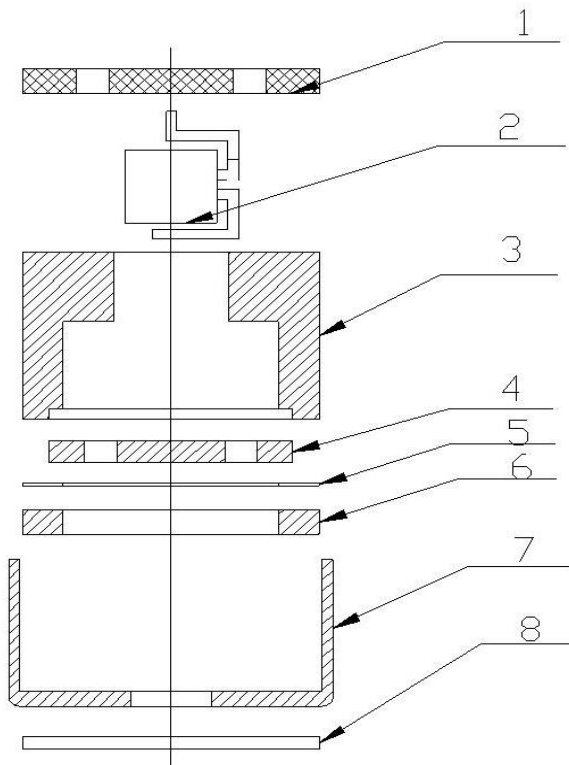


## E. MEASUREMENT CIRCUIT

$V_s$ :Source Voltage 2.0V     $R_L$ :Load Resistance 2.2K  $\Omega$



## F.Explode Drawing



| NO. | PARTS            |
|-----|------------------|
| 1   | PCB              |
| 2   | FET              |
| 3   | Holder           |
| 4   | Back plate       |
| 5   | Spacer           |
| 6   | Film             |
| 7   | Outer most shell |
| 8   | Cloth            |

| <b>G. 可靠性试验 Reliability Test</b>  |   |
|---|---|
| 经过以下所有试验在 20℃ 的条件下放置 3 小时后,麦克风的灵敏度与试验前比较变化在 3dB 以内<br>After any following tests, the sensitivity of the microphone to be within $\pm 3\text{dB}$ of initial sensitivity after 3hours of conditioning at 20℃ |   |
| 5-1 振动试验<br>Vibration   | 周波数 1/Frequency1:10Hz~55Hz<br>振幅/Amplitude:1.52mm<br>变化/Change of Frequency:1 octave/min<br>3 方向,各 2 小时/hours in each of 3 axes |
| 5-2 高温试验<br>Dry Heat  | +60 $\pm$ 5℃ for 96 hours   |
| 5-3 低温试验<br>Dry Cold  | -20 $\pm$ 5℃ for 96 hours   |
| 5-4 高温高湿试验<br>Damp Heat   | 90%~95%RH, +60 $\pm$ 5℃ for 96 hours  |
| 5-5 温度循环试验<br>Temperature cycles  | -20℃ $\longleftrightarrow$ 25℃ $\longleftrightarrow$ 60℃<br>(2h) (1h) (2h) (1h) (2h) $\times$ 10 cycles                         |
| 5-6 跌落试验<br>Packing drop test   | Height:1m<br>顺序:三个面各跌 10 次<br>Procedure:10 times from each of 3 axes  |
| 5-7 温度冲击试验<br>Temperature impact test   | -20℃ $\longleftrightarrow$ 60℃<br>30min 30s 30min $\times$ 10 cycles  |
| 5-8 静电冲击试验<br>Electrostatic shock test  | 4000V(contact), 8000V(air) $\times$ 10 axes   |
| 备注 Note   |   |
| 6-1 工作温度范围<br>Operation Temperature   | -20℃ ~ 60℃  |
| 6-2 储存温度范围<br>Storage Temperature   | -30℃ ~ 70℃  |
| <b>H. 焊接条件</b>  |   |
| <b>Soldering Condition</b>  |   |
| 7-1 焊接使用 90W 的烙铁。<br>The soldering copper of a type of 90W shall be applied   |   |
| 焊接条件<br>Soldering Condition.  |   |
| 7-2 电烙铁表面温度 320 $\pm$ 10℃<br>The temperature of the working surface of the soldering copper shall be 320 $\pm$ 10℃  |   |
| 7-3 焊接时把麦克风嵌入散热能力强的金属块内。<br>ECM shall be soldered fixed on the metal block(heat sink)which has the higher radiation effects said heat sink  |   |

Shall contact with of ECM.

7-4 焊接时间控制在 2~3 秒内。

time for each terminal shall be 2~3 sec.

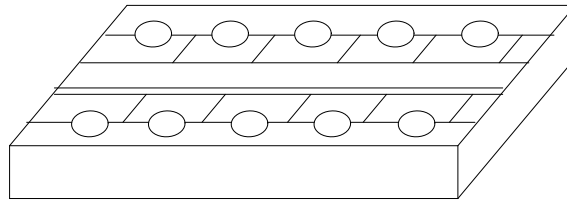
7-5 焊接后不能出现针孔。

The pinhole after soldering shall be avoided.

7-6 静电容易破坏麦克风必须采取措施避免（电烙铁接地，戴静电环等。）

ECM may easily destroyed by the static electricity and the countermeasure for eliminating the static electricity (the ground for soldering copper, for worktable and for human body) shall be executed.

7-7 散热板形状 Shape of heat sink



7-8 固定部孔形状 Shape of hole at fixed part

