

HCH335J82RJ ✓ ACTIVE

CGS | CGS HCH

TE Internal #: 2176466-6

82 ohm Chassis Mount Resistor, 500 W, Wire Wound, 2

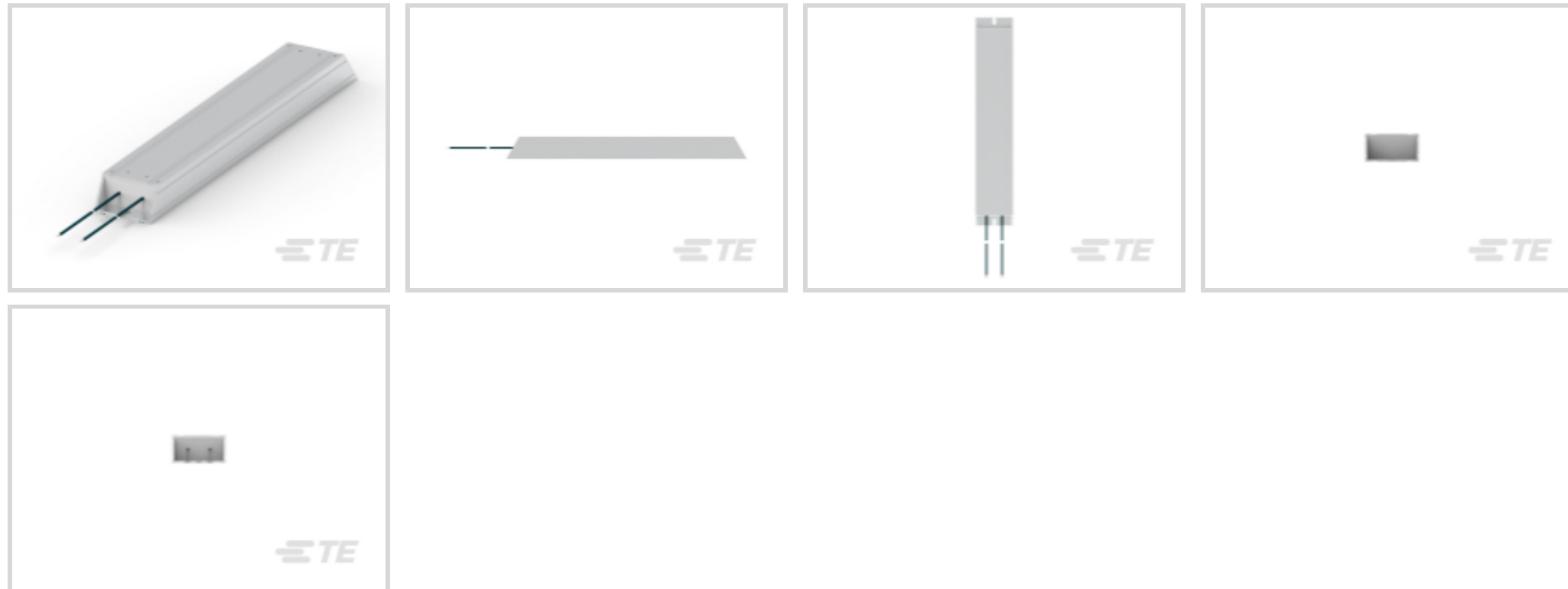
Terminations, ± 200 ppm/ $^{\circ}\text{C}$, .05 %, Flying Leads, Loose Piece - Box,

31 mm [1.22 in] Height, CGS HCH

[View on TE.com >](#)



Passive Components > Resistors > Chassis Mount Resistors > Aluminium Housed Braking Resistor: IP54, 200W~500W Power - HCH Series



Resistor Type: **Power Resistor**

Resistance Class: **Up to 1k Ω**

Resistance Value: **82 Ω**

Power Rating: **500 W**

Element Type: **Wire Wound**

[All Aluminium Housed Braking Resistor: IP54, 200W~500W Power - HCH Series \(34\)](#)

Features

Product Type Features

| | |
|---------------|----------------|
| Resistor Type | Power Resistor |
| Element Type | Wire Wound |

Configuration Features

| | |
|---------------------|---|
| Number of Resistors | 1 |
|---------------------|---|

Electrical Characteristics

| | |
|-----------------------------|-------------------|
| Resistance Class | Up to 1k Ω |
| Resistance Value | 82 Ω |
| Power Rating | 500 W |
| Passive Component Tolerance | .05 % |

Termination Features

| | |
|---|--------------|
| Number of Terminations | 2 |
| Chassis Mount Resistor Termination Type | Flying Leads |



Mechanical Attachment

| | |
|--------------------------|----------------------------|
| Panel Mount Feature Type | Flange with Mounting Holes |
|--------------------------|----------------------------|

Dimensions

| | |
|----------------|-------------------|
| Product Height | 31 mm[1.22 in] |
| Product Length | 335 mm[13.189 in] |
| Product Width | 60 mm[2.362 in] |

Usage Conditions

| | |
|-------------------------|-------------|
| Temperature Coefficient | ±200 ppm/°C |
|-------------------------|-------------|

Packaging Features

| | |
|------------------|-------------------|
| Packaging Method | Loose Piece - Box |
|------------------|-------------------|

Product Compliance

[For compliance documentation, visit the product page on TE.com>](#)

| | |
|---|---|
| EU RoHS Directive 2011/65/EU | Compliant |
| EU ELV Directive 2000/53/EC | Compliant |
| China RoHS 2 Directive MIIT Order No 32, 2016 | No Restricted Materials Above Threshold |
| EU REACH Regulation (EC) No. 1907/2006 | Current ECHA Candidate List: JUNE 2024 (241) Candidate List Declared Against: JUNE 2023 (235) Does not contain REACH SVHC |
| Halogen Content | Low Halogen - Br, Cl, F, I < 900 ppm per homogenous material. Also BFR/CFR/PVC Free |
| Solder Process Capability | Hand solderable with lead free solder |

Product Compliance Disclaimer

This information is provided based on reasonable inquiry of our suppliers and represents our current actual knowledge based on the information they provided. This information is subject to change. The part numbers that TE has identified as EU RoHS compliant have a maximum concentration of 0.1% by weight in homogenous materials for lead, hexavalent chromium, mercury, PBB, PBDE, DBP, BBP, DEHP, DIBP, and 0.01% for cadmium, or qualify for an exemption to these limits as defined in the Annexes of Directive 2011/65/EU (RoHS2). Finished electrical and electronic equipment products will be CE marked as required by Directive 2011/65/EU. Components may not be CE marked. Additionally, the part numbers that TE has identified as EU ELV compliant have a maximum concentration of 0.1% by weight in homogenous materials for lead, hexavalent chromium, and mercury, and 0.01% for cadmium, or qualify for an exemption to these limits as defined in the Annexes of Directive 2000/53/EC (ELV). Regarding the REACH Regulation, the information TE provides on SVHC in articles for this part number is based on the latest European Chemicals Agency (ECHA) 'Guidance on requirements for substances in articles' posted at this URL: <https://echa.europa.eu/guidance-documents/guidance-on-reach>

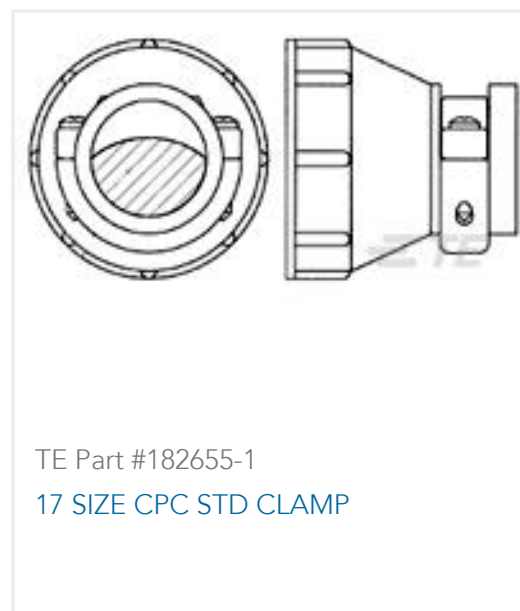
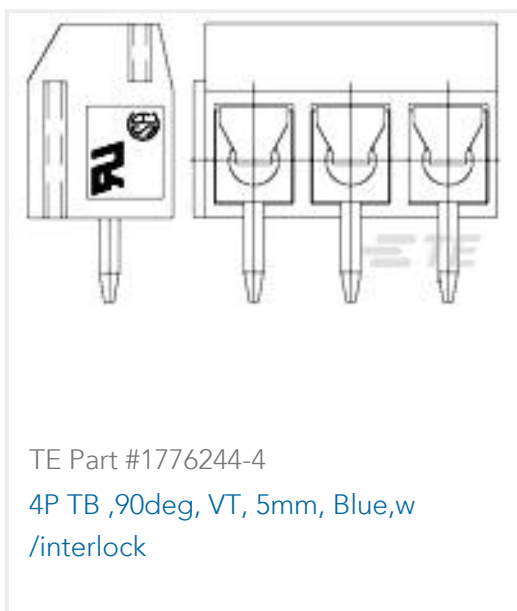
Compatible Parts



Also in the Series | CGS HCH



Customers Also Bought





Documents

Product Drawings

[HCH335 500W 82R 5% LEAD](#)

English

CAD Files

[3D PDF](#)

3D

Customer View Model

[ENG_CVM_CVM_2176466-6_A.2d_dxf.zip](#)

English

Customer View Model

[ENG_CVM_CVM_2176466-6_A.3d_igs.zip](#)

English

Customer View Model

[ENG_CVM_CVM_2176466-6_A.3d_stp.zip](#)

English

By downloading the CAD file I accept and agree to the [Terms and Conditions](#) of use.

Datasheets & Catalog Pages

[Aluminium Housed Braking Resistor Type HCH Series](#)

English