



Sensors > Pressure Sensors > Pressure Transducers > Compact Industrial Pressure Transducer



Pressure Transducer Sensor Type: **Industrial Pressure Transducer**

Pressure Range: **0 – 7 bar**

Pressure Type: **Gauge**

Pressure Transducer Supply Voltage: **9 – 30 V**

Output/Span: **4 – 20 mA**

[All Compact Industrial Pressure Transducer \(39\)](#)

Features

Product Type Features

Pressure Transducer Sensor Type	Industrial Pressure Transducer
Pressure Type	Gauge

Configuration Features

Electrical Connection	Cable 1 m
Pressure Port/Fitting	1/4-18 NPT

Electrical Characteristics

Pressure Transducer Supply Voltage	9 – 30 V
------------------------------------	----------

Dimensions

Dimensions	22.25 x 22.25 x 53.34 mm [.875 x .875 x 2.1 in]
------------	---

Usage Conditions

Pressure	7 bar[100 psi]
Operating Temperature Range	-40 – 105 °C[-40 – 221 °F]

Operation/Application

Proof Pressure Range	2X Rated
Pressure Range	0 – 7 bar
Output/Span	4 – 20 mA



Pressure Accuracy

±0.25% FSO

Other

Sensor Options

Adhesive Label, No Snubber

Product Compliance

[For compliance documentation, visit the product page on TE.com>](#)

EU RoHS Directive 2011/65/EU

Compliant with Exemptions

EU ELV Directive 2000/53/EC

Compliant with Exemptions

China RoHS 2 Directive MIIT Order No 32, 2016

Restricted Materials Above Threshold

EU REACH Regulation (EC) No. 1907/2006

Current ECHA Candidate List: JUNE 2023 (235)
 Candidate List Declared Against: JUN 2020 (209)
 SVHC > Threshold:
 Dodecamethylcyclohexasiloxane (D6) (.85% in component)
Article Safe Usage Statements:
 Wash thoroughly after handling. Recycle if possible and dispose of the article by following all applicable governmental regulations relevant to your geographic location.

Halogen Content

Not Yet Reviewed for halogen content

Solder Process Capability

Not reviewed for solder process capability

Product Compliance Disclaimer

This information is provided based on reasonable inquiry of our suppliers and represents our current actual knowledge based on the information they provided. This information is subject to change. The part numbers that TE has identified as EU RoHS compliant have a maximum concentration of 0.1% by weight in homogenous materials for lead, hexavalent chromium, mercury, PBB, PBDE, DBP, BBP, DEHP, DIBP, and 0.01% for cadmium, or qualify for an exemption to these limits as defined in the Annexes of Directive 2011/65/EU (RoHS2). Finished electrical and electronic equipment products will be CE marked as required by Directive 2011/65/EU. Components may not be CE marked. Additionally, the part numbers that TE has identified as EU ELV compliant have a maximum concentration of 0.1% by weight in homogenous materials for lead, hexavalent chromium, and mercury, and 0.01% for cadmium, or qualify for an exemption to these limits as defined in the Annexes of Directive 2000/53/EC (ELV). Regarding the REACH Regulation, the information TE provides on SVHC in articles for this part number is based on the latest European Chemicals Agency (ECHA) 'Guidance on requirements for substances in articles' posted at this URL: <https://echa.europa.eu/guidance-documents/guidance-on-reach>

Compatible Parts



Also in the Series | MEAS M3200



Pressure Transducers(39)

Customers Also Bought



TE Part #1-66361-4
Pin and Socket Contacts, Type III, LP, High Current



TE Part #213862-1
Cable/Panel Mount Connector, CPC Series 1



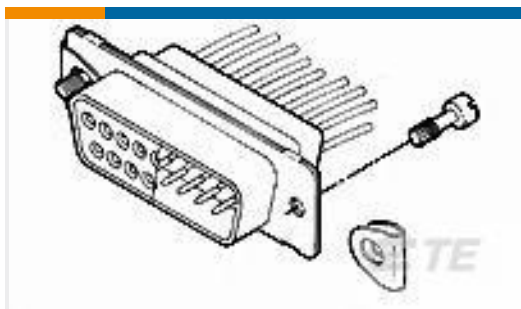
TE Part #T4071017031-001
M8.FMLE.PNLREAR.3POS.STR WIRE



TE Part #T4110402021-000
M12,FEMALE,STRAIGHT,B CODE,2P, PG9,GOLD



TE Part #1-1757820-0
AMPLIMITE,ASY,RCPT,STD,109,ZN,5, CT



TE Part #5205980-5
SCREW RETAINER KIT,BULK PACK



TE Part #450705-000
S02-03-R



TE Part #11033273-00
PRESS XDCR U5254-000002-.14BG

Documents

CAD Files

[3D PDF](#)

[3D](#)

Customer View Model

[ENG_CVM_CVM_20010080-00_H.2d_dxf.zip](#)

English

Customer View Model

[ENG_CVM_CVM_20010080-00_H.3d_igs.zip](#)

English

Customer View Model

[ENG_CVM_CVM_20010080-00_H.3d_stp.zip](#)

English

By downloading the CAD file I accept and agree to the [Terms and Conditions](#) of use.

Datasheets & Catalog Pages



M3200 Pressure Transducer

English