

# PRODUCT DATA DRAWING

REVISION HISTORY			
REV	DESCRIPTION	DATE	APPROVED
-	REL. DCN 34436	08/06	STW
A	DCN 39493	11/12	PJS

**MATERIAL:**

BODY,  
PRESS CAP &  
COUPLING NUT:

STAINLESS STEEL PER AMS-5640,  
ALLOY UNS S30300, TYPE 1

LOCK RING &  
CONTACT:

BERYLLIUM COPPER PER ASTM B196,  
ALLOY No. UNS C17300, TD04

RIVET:

BRASS PER ASTM B16, ALLOY UNS No. C36000

INSULATOR:

PTFE PER ASTM D1710, TYPE I, GRADE 1, CLASS B

GASKET:

SILICONE RUBBER PER ZZ-R-765,  
CLASS 2B, GRADE 50/60

RESISTOR ELEMENT:

ALUMINA SUBSTRATE WITH  
NICHROME RESISTOR

**FINISH:**

BODY:

GOLD PER ASTM B 488, TYPE I,  
CODE C, CLASS 1.27; OVER NICKEL  
PER AMS-QQ-N-290, CLASS 1, .00005" MIN.

PRESS CAP &  
COUPLING NUT:

PASSIVATED PER AMS-2700, TYPE 2

CONTACT:

GOLD PER ASTM B488, TYPE II,  
CODE C, CLASS 1.27; OVER NICKEL  
PER AMS-QQ-N-290, CLASS 1, .00005" MIN.

RIVET:

NICKEL PER AMS-QQ-N-290, CLASS 1,  
GRADE G

**PERFORMANCE:**

IMPEDANCE:

50 OHMS

FREQ. RANGE:

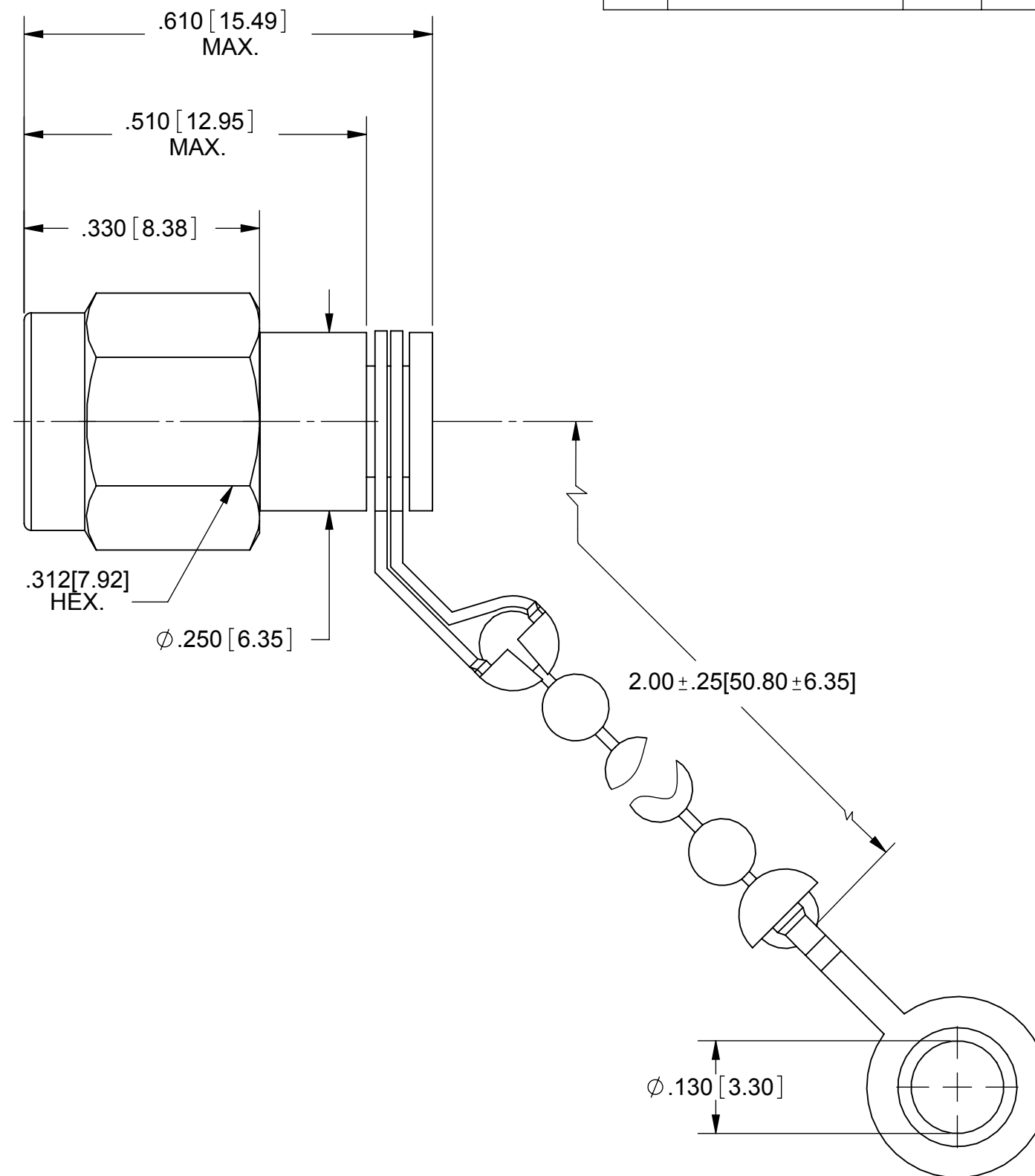
DC TO 18.0 GHz

VSWR:

1.05+.010F DC TO 18.0 GHz

AVG POWER:

0.5 WATTS (POWER INPUT DERATED LINEARLY FROM 25°C  
TO 0.125 WATTS AT 125°C)



MATERIAL: SEE NOTES	DIMENSIONS ARE IN INCHES TOLERANCES: FRACTIONAL: ±1/64 ANGULAR: X° ±1'0" X°X' ±15'	UNLESS OTHERWISE SPECIFIED 1) ALL DIMENSIONS ARE IN INCHES (MILLIMETERS) 2) ALL DIMENSIONS ARE AFTER PLATING. 3) BREAK CORNERS & EDGES .005 R. MAX. 4) CHAM. 1ST & LAST THREADS. 5) SURFACE ROUGHNESS 63-MIL-STD-10. 6) DIA: 'S ON COMMON CENTERS TO BE CONCENTRIC WITHIN .005 T.I.R. 7) REMOVE ALL BURRS	<b>SV Microwave, Inc.</b> 2400 Centrepark West Drive, Suite 100 West Palm Beach, FL 33409
FINISH: SEE NOTES	DECIMAL: X ±.030 .XX ±.010 .XXX ±.005	INTERPRET DIMENSIONS AND TOLERANCES PER ASME Y14.5M - 1994	TITLE: <b>SMA PLUG TERMINATION DC TO 18 GHz</b>
SURFACE AREA: N/A	THIRD ANGLE PROJECTION	DRAWN: ADK 08/09/06	SIZE: <b>B</b> CAGE CODE: <b>95077</b> DWG. NO. <b>M39030/3-04</b>
PROPRIETARY THE INFORMATION CONTAINED IN THIS DRAWING IS THE SOLE PROPERTY OF SV MICROWAVE, INC. ANY REPRODUCTION IN PART OR AS A WHOLE WITHOUT THE WRITTEN PERMISSION OF SV MICROWAVE, INC IS PROHIBITED.		CHECKED: STW 08/10/06	SCALE: 5:1
		APPROVED: STW 08/10/06	SHEET 1 OF 1