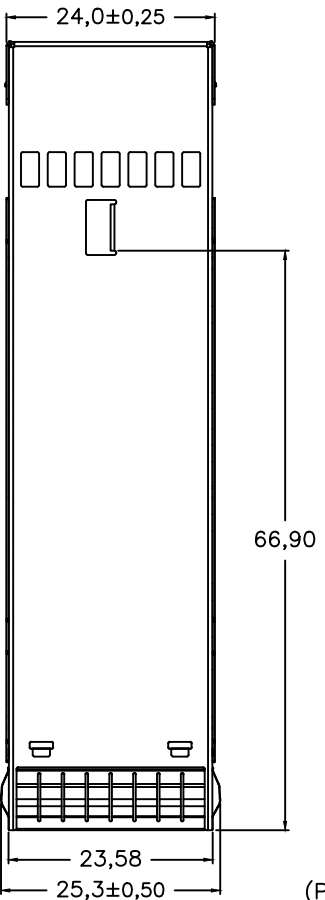
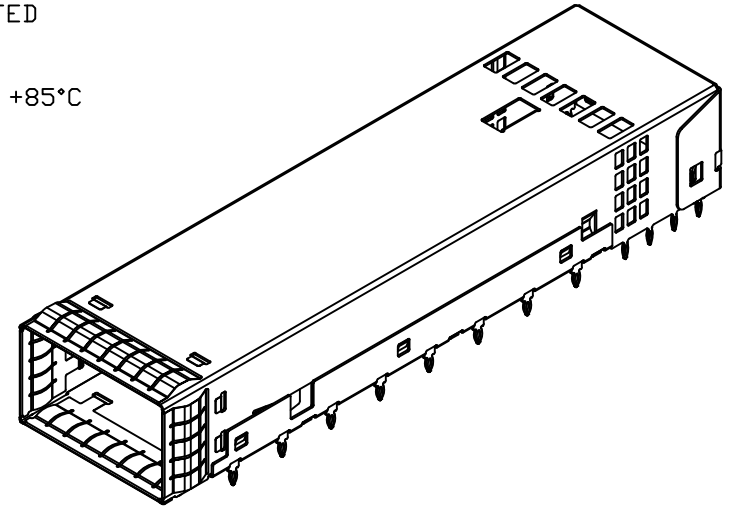


REV	DESCRIPTION OF CHANGE	REVIEWED BY	ISSUE DATE
A	FIRST ISSUE	Nealson	2025-06-01

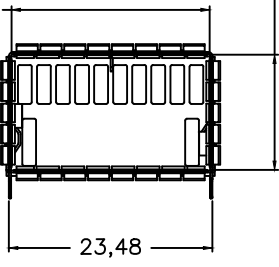


NOTES:

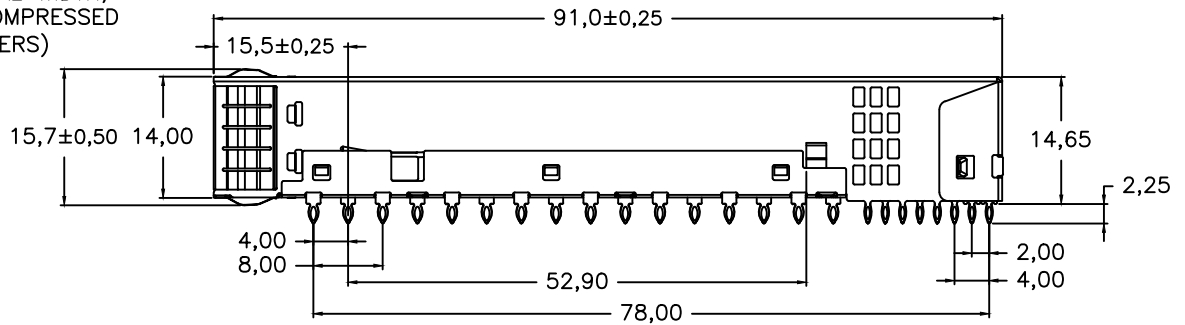
- 1.MATERIAL:
CAGE : STAINLESS STEEL,NI PLATED
- 2.PACKAGING: TRAY PACKAGING
- 3.TEMPERATURE RANGE: -55°C TO +85°C



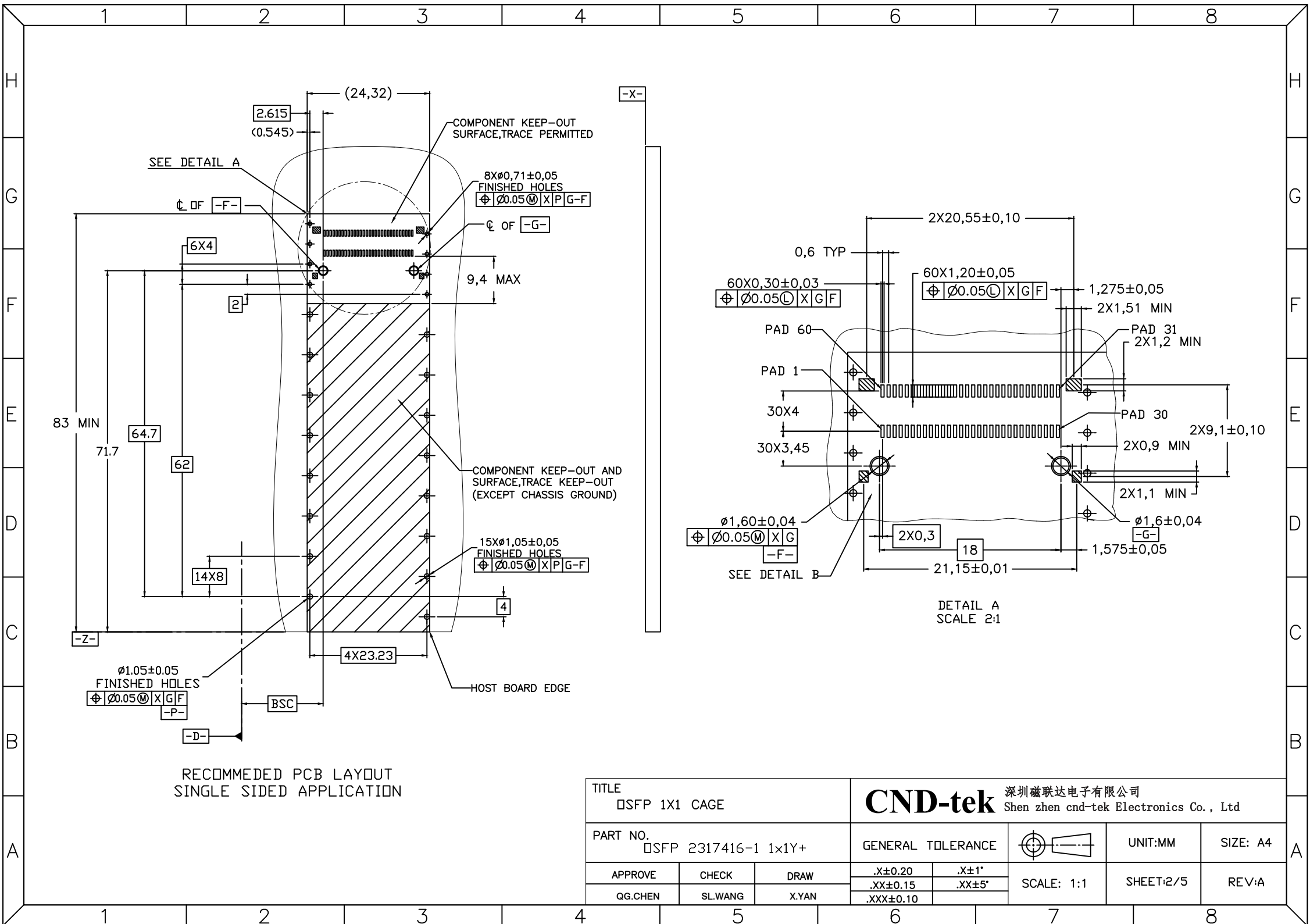
22,88±0,10
(PORT INTERNAL WIDTH,
WITH FULLY COMPRESSED
EMI FINGERS)



13,30±0,10
(PORT INTERNAL WIDTH,
WITH FULLY COMPRESSED
EMI FINGERS)

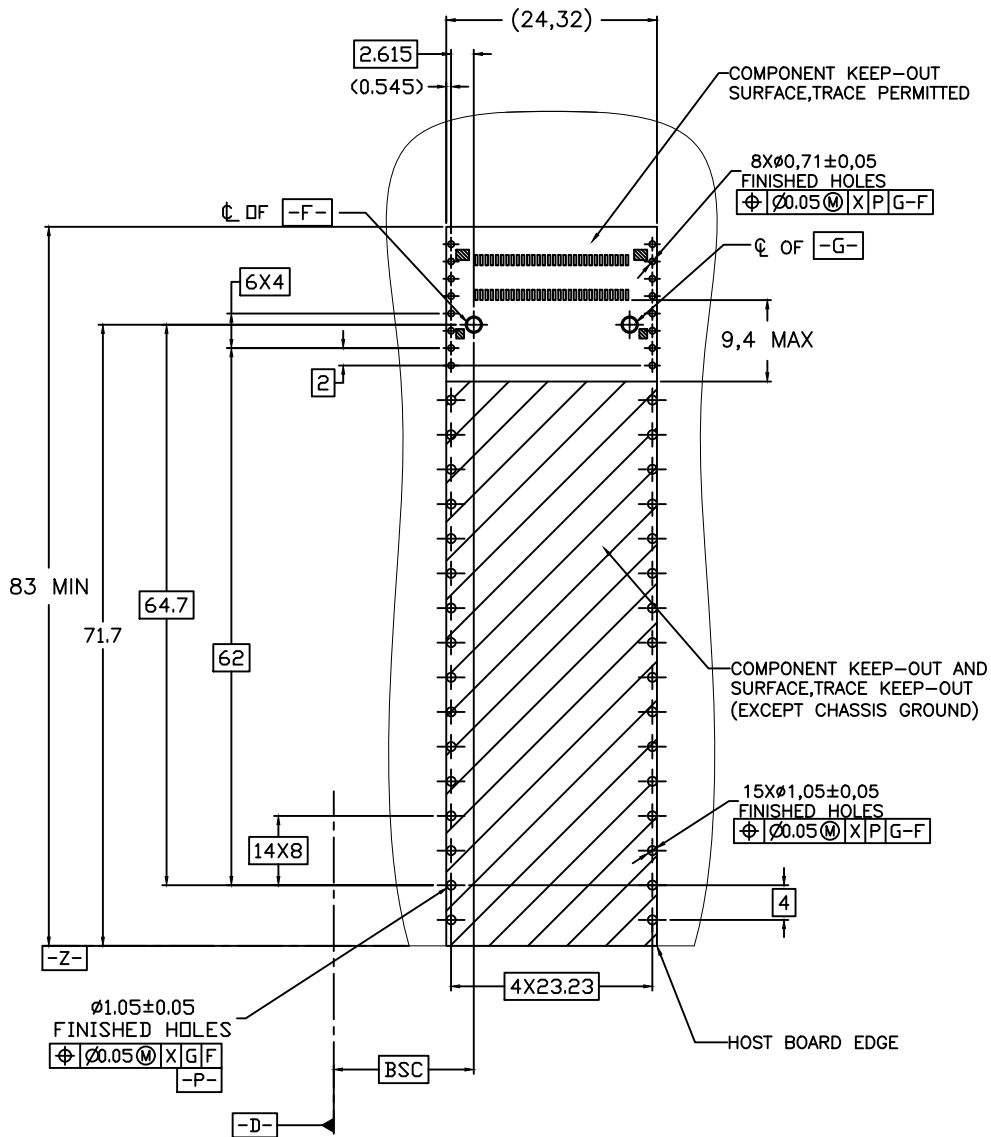


TITLE □SFP 1X1 CAGE			CND-tek 深圳磁联达电子有限公司 Shen zhen cnd-tek Electronics Co., Ltd		
PART NO. □SFP 2317416-1 1x1Y+			GENERAL TOLERANCE		UNIT:MM
APPROVE	CHECK	DRAW	.X±0.20	.X±1*	SCALE: 1:1
QG.CHEN	SL.WANG	X.YAN	.XX±0.15	.XX±5*	SHEET:1/5
			.XXX±0.10		SIZE: A4
					REV:A



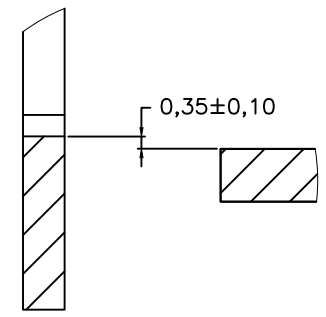
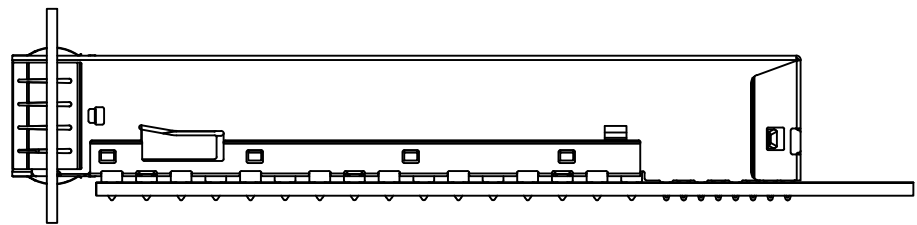
RECOMMENDED PCB LAYOUT
SINGLE SIDED APPLICATION

TITLE □SFP 1X1 CAGE			CND-tek 深圳磁联达电子有限公司 Shen zhen cnd-tek Electronics Co., Ltd			
PART NO. □SFP 2317416-1 1x1Y+			GENERAL TOLERANCE		UNIT:MM	SIZE: A4
APPROVE	CHECK	DRAW	.X±0.20	.X±1*	SCALE: 1:1	SHEET:2/5
QG.CHEN	SL.WANG	X.YAN	.XX±0.15	.XX±5*		
			.XXX±0.10			

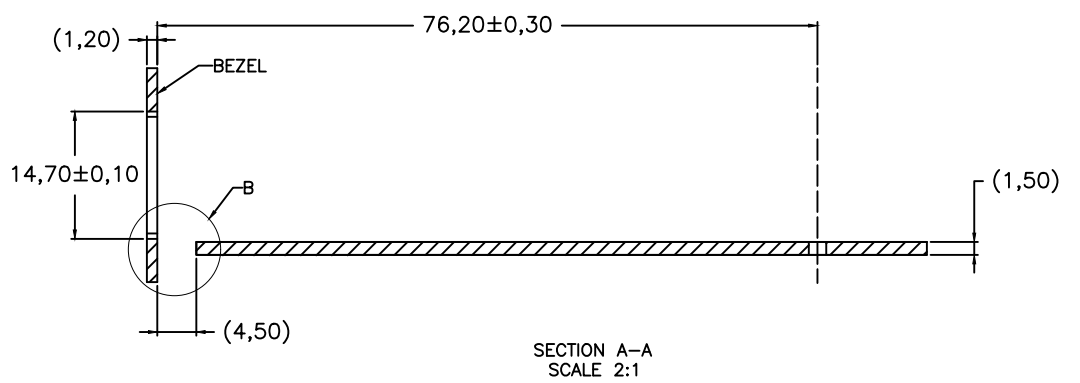
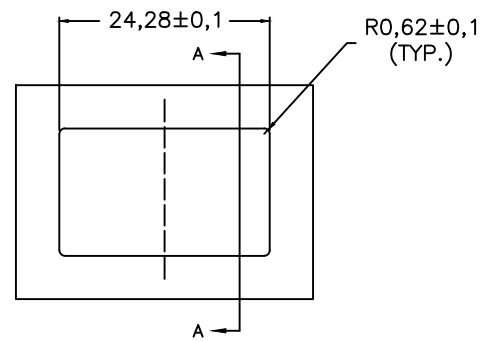


RECOMMENDED PCB DESIGN
FOR BELLY TO BELLY MOUNTING

TITLE □SFP 1X1 CAGE			CND-tek 深圳磁联达电子有限公司 Shen zhen cnd-tek Electronics Co., Ltd			
PART NO. □SFP 2317416-1 1x1Y+			GENERAL TOLERANCE		UNIT:MM	SIZE: A4
APPROVE	CHECK	DRAW	.X±0.20	.X±1°	SCALE: 1:1	SHEET:3/5
QG.CHEN	SL.WANG	X.YAN	.XX±0.15	.XX±5'		
			.XXX±0.10			

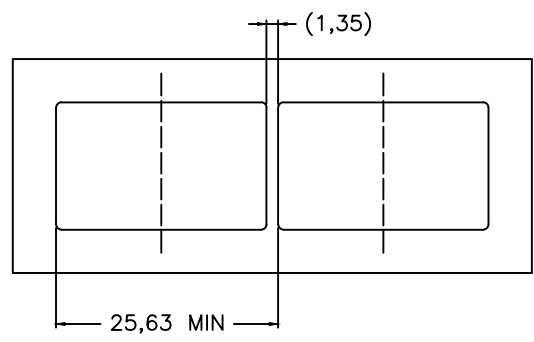


DETAIL B
SCALE 4:1

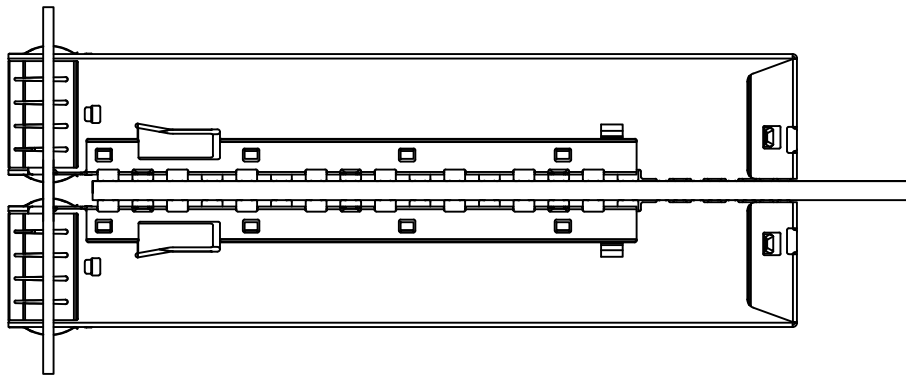


SECTION A-A
SCALE 2:1

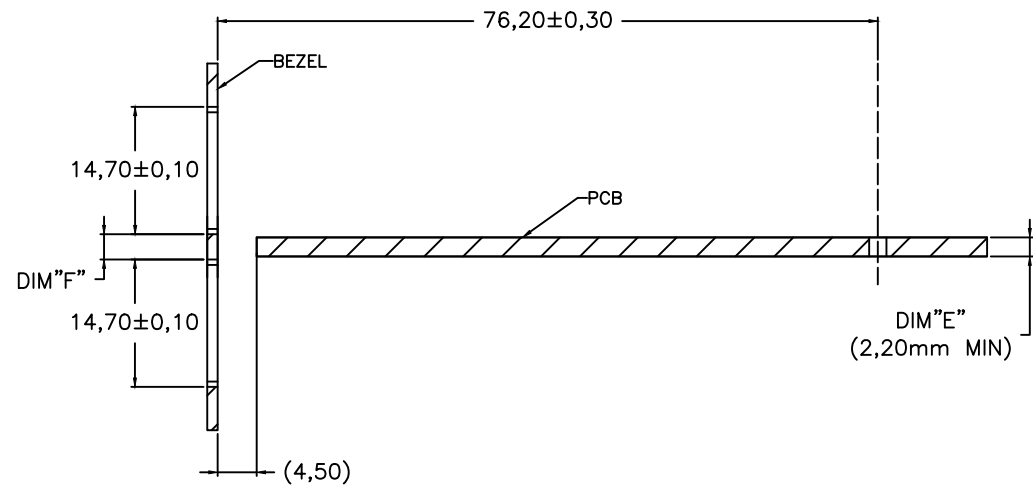
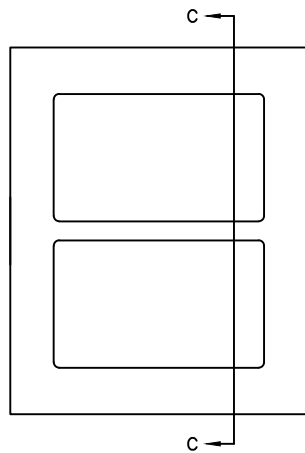
RECOMMENDED BEZE DESIGN
FOR SINGLE SAID MOUNTING



TITLE □SFP 1X1 CAGE			CND-tek 深圳磁联达电子有限公司 Shen zhen cnd-tek Electronics Co., Ltd				
PART NO. □SFP 2317416-1 1x1Y+			GENERAL TOLERANCE			UNIT:MM	SIZE: A4
APPROVE	CHECK	DRAW	.X±0.20	.X±1°	SCALE: 1:1	SHEET:4/5	REV:A
QG.CHEN	SL.WANG	X.YAN	.XX±0.15	.XX±5°			
			.XXX±0.10				



NOTE:
 PANEL CUTOUT SIZES PER OSFP MSA SPEC.
 FOR BELLY TO BELLY MOUNTING, DIM "E" (PCB THICKNESS) IS 2.20 mm MIN.
 DIM "F" RELATED TO DIM "E". FOR DIM "F" = DIM "E" + 0.70 mm.
 THE PANEL CUTOUT 14.70 mm MIGHT BE INCREASED UP TO 15.10 mm IN ORDER TO ACCOMODATE PCB TOLERANCE.



SECTION C-C
 SCALE 2:1

RECOMMENDED BEZE DESIGN
 (BELLY TO BELLY CAGE MOUNTING)

TITLE □SFP 1X1 CAGE			CND-tek 深圳磁联达电子有限公司 Shen zhen cnd-tek Electronics Co., Ltd			
PART NO. □SFP 2317416-1 1x1Y+			GENERAL TOLERANCE		UNIT:MM	SIZE: A4
APPROVE	CHECK	DRAW	.X±0.20	.X±1°	SCALE: 1:1	SHEET:5/5
QG.CHEN	SL.WANG	X.YAN	.XX±0.15	.XX±5°		
			.XXX±0.10			