

Operation: DIP/卧式 3.5 中型 音频连接器 (SWITCH PIN)



LTEM NO.: PJ-307 (Series)

(L14.3 × W12.0 × H5.0 3.5 PHONE-JACK)



插件立式

側向操作

精密部品

带导向柱

適合環保 RoHS

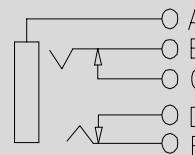
Technical parameter

LEVEL		A[better product]	B[average product]
PROJECT	Contact Rating	0.5A, 24V DC	
Electrical Properties	Initial Contact Resistance	50mΩ max.	
	Insulation Resistance	100MΩ min. 500V DC	Skey/PD: 100MΩ min. 300V DC
Durable Performance	Withstand Voltage	500V AC for 1 minute	350 V AC for 1 minut
	There No Load	6,000 Cycles	5,000 Cycles
	Rated Load	5,000 Cycles	4,000 Cycles
Storage temp.		-35℃~+75℃ (Operating Temp:)	
Operating Force		IF: 5~15N MAX. (EF: 10.0N MIN.)	
Heat Rrsistance		IR Reflow: 255℃, 5sec. Manual: 350℃, 3sec.	

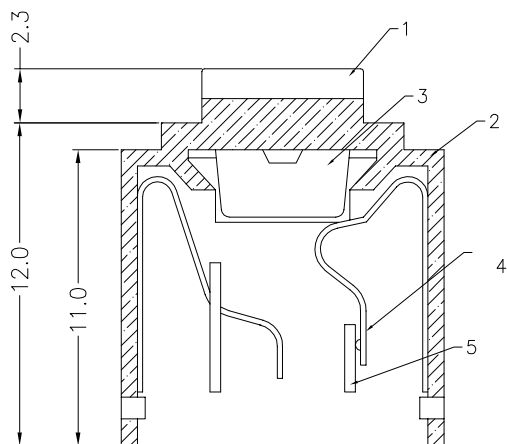
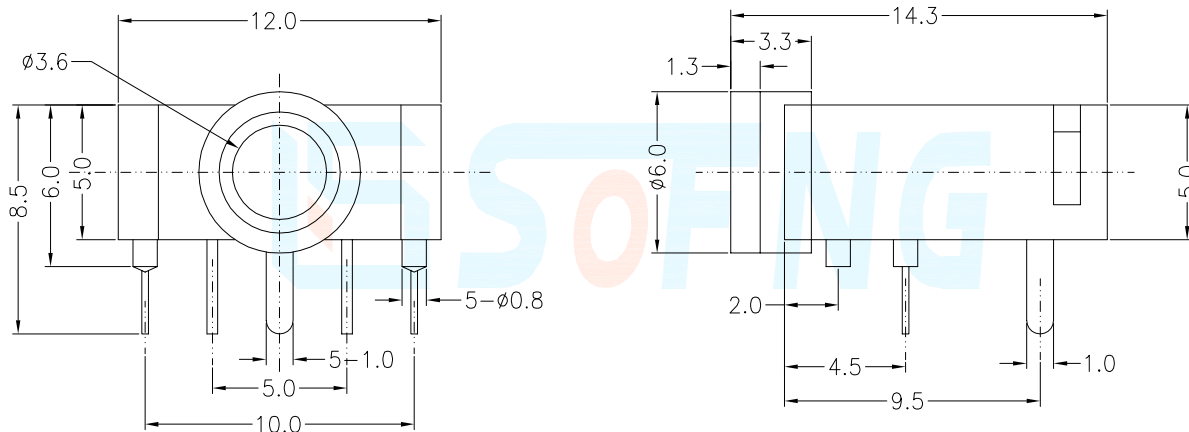
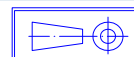
Material declaration

No	NAME	Description
①	外圍	C5210 铜合金
②	基座	PA66 (Black) 耐热塑胶
③	接地端子#3	H62 (t=0.25mm) 黄铜[镍基银]
④	动态端子	C5191R-H (t=0.30mm) 磷铜[镍基银]
⑤	静态端子	H62 (t=0.25mm) 黄铜[镍基银]

CIRCUIT DIAGRAM



Unit:mm



P.C.B LAYOUT

