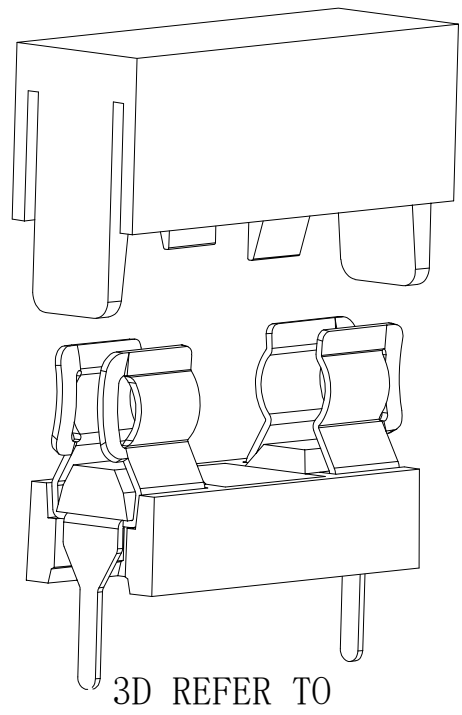
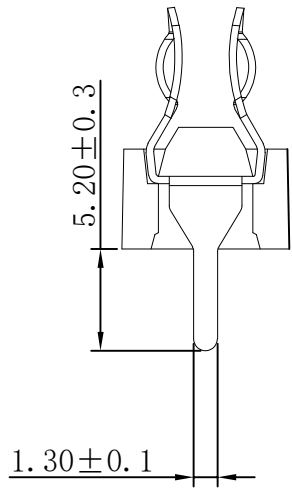
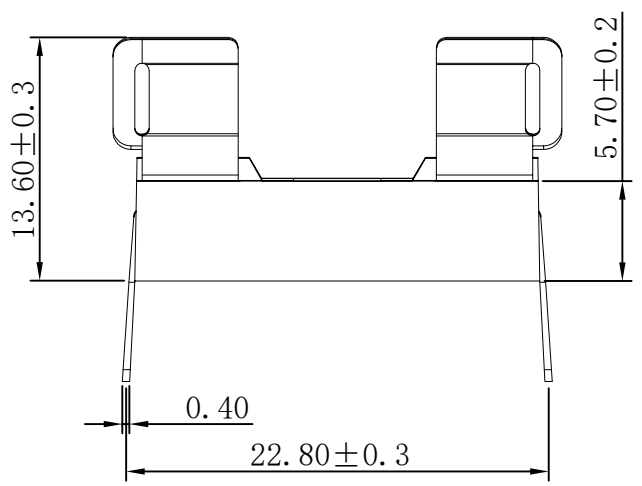
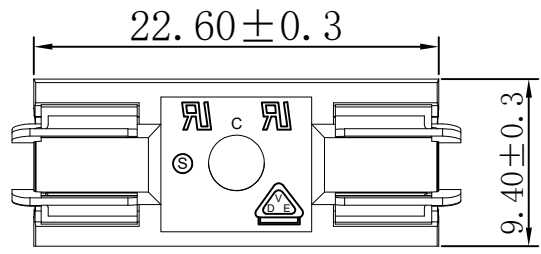


# RoHS

REV	ECN NO.	DESCRIPTION	DESIGN	APPROVAL	DATE
A1	NEW	更换图框			2024.04.17



### TECHNICAL CHARACTERISTICS

**MATERIAL**  
 INSULATOR: PA6/66  
 FLAMMABILITY RATING: UL94V0  
 COLOR: Yellow  
 CONTACT / PLATING: COPPER ALLOY / Ni+Sn

**ENVIRONMENTAL**  
 OPERATING TEMPERATURE: -30°C UP TO +120°C  
 COMPLIANCE: LEAD FREE AND ROHS

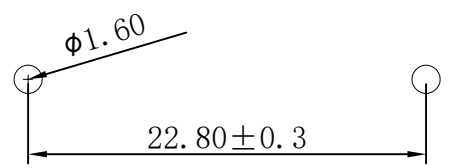
**ELECTRICAL**

	UL	VDE
CURRENT RATING:	15A	6.3A
WORKING VOLTAGE:	250VAC	250VAC
WITHSTANDING VOLTAGE:	1.5KV	1.5KV
RATED POWER ACCEPTANCE:	---	1.6W
PROTECTION CLASS:	I o II	
CONTACT RESISTANCE:	5/10 mΩ MAX	

**MECHANICAL**  
 FUSE-LINK: 5x20 mm  
 PROTECTION RATE: IP00  
 SHOCKSAFE CATEGORY: PC1



适用线路板 (PCB LAYOUT)



X.±0.50	X.°±
.X±0.25	.X°±
.XX±0.15	.XX°±
.XXX±0.10	.XXX°±
UNITS:	mm

PART NO: PTF-15	
TITLE: 保险丝座 5x20mm 米色底座 白色盖子二件套	
APPD	Chen Zhi Qiang
CHKD	Liu Wei
DRAW	Chen Hong Jiang
DATE	2024.04.25

<b>XFCN</b> 兴飞连接器	
0769-82001899	
www.xfconn.com	
DWG NO: /	

THESE DRAWINGS AND SPECIFICATIONS ARE THE PROPERTY OF XFCN AND SHALL NOT BE REPRODUCED, COPIED OR CUED IN ANY MANNER WITHOUT THE PRIOR WRITTEN CONSENT OF XFCN

VIEW			
SCALE	SHEET	REV	
NONE	1/1	A1	