



REV.	ECN NO OR DESCRIPTION	REVISED	DATE

A

B

C

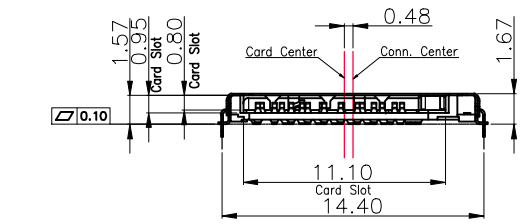
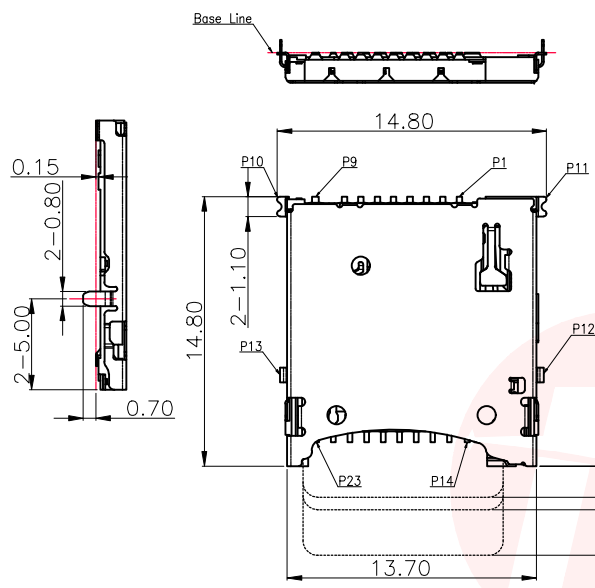
D

A

B

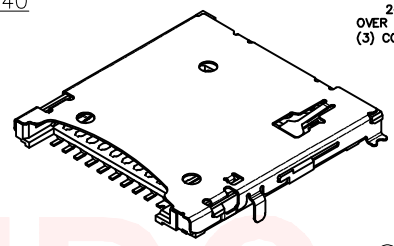
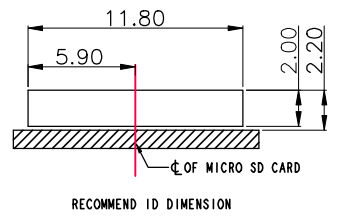
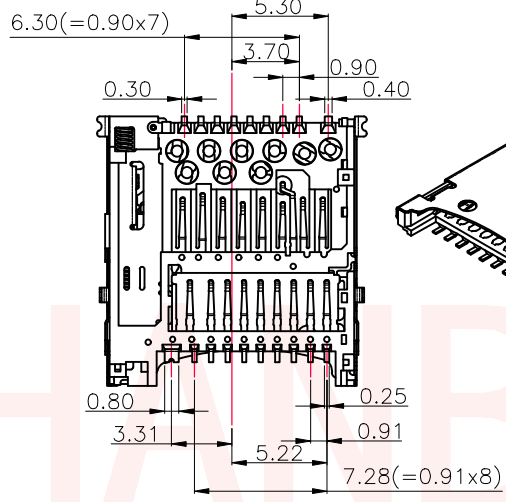
C

D

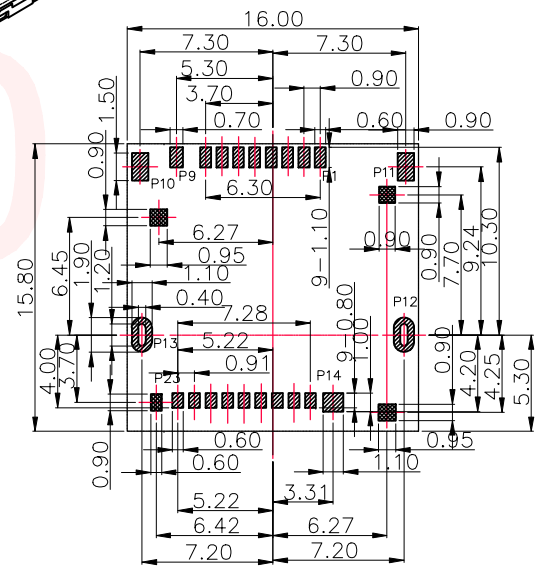


	Card Detect Switch
Card Uninsertion	Open
Card Half Insertion	Open
Card Insertion	Close

Open	Close
P6 P9	P6 P9

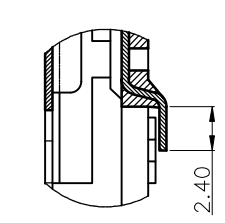


NOTES:
 (1) MATERIAL:
 1-1.PLASTIC: LCP,THERMOPLASTIC UL 94V-0 COLOR: BLACK
 1-2.CONTACT: COPPER ALLOY.
 1-3.SELL: STAINLESS STEEL.
 (2) PATING:
 2-1.CONTACT:CONTACT AREA AU 1U".OVER NI 50U";SOLDER TAIL AREA: MATTED TIN 100U"MIN, OVER NI 50".
 2-2.SHELL:SOLDERABILITY OVER PLATING NI 50U" OVER ALL.
 (3) CONTACT AND TAIL COPLANARITY TO BE 0.10MM MAX.

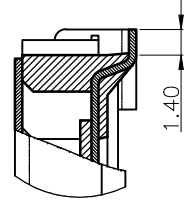


RECOMMENDED P.C.B LAYOUT
 TOP VIEW(TOLERANCE+/-0.05)

Pin No.	Pin Assignment	Pin No.	Pin Assignment
P1	Micro SD DAT2	P12	GND
P2	Micro SD CD/DAT3	P13	GND
P3	Micro SD CMD	P14	GND
P4	Micro SD VDD1	P15	Micro SD VDD2
P5	Micro SD CLK	P16	Micro SD SWIO
P6	Micro SD VSS	P17	Micro SD VSS
P7	Micro SD DAT0/RCLK+	P18	Micro SD D0+
P8	Micro SD DAT1/RCLK-	P19	Micro SD D0-
P9	Micro SD CD	P20	Micro SD VSS
P10	GND	P21	Micro SD D1-
P11	GND	P22	Micro SD D1+
		P23	Micro SD VSS



Detail A
Scale 4 : 1



Detail B
Scale 4 : 1

UNLESS OTHERWISE SPECIFIED TOLERANCES

DECIMALS:	ANGLES:
X :±0.35	X :±2°
X.X :±0.20	X.X :±1°
X.XX :±0.10	

东莞市汉博电子科技有限公司
 DONGGUAN HANBO TECHNOLOGY CO., LTD

TITLE	MICRO SD 4.0 PUSH PUSH 1.67H		
DWN	xiong	PART NO. SD-420	
CHKD	lee	SCALE:1:1	UNIT: mm
APVD	wang	SIZE: A4	SHEET:10F 1
			REV: A4
CUSTOMER COPY			