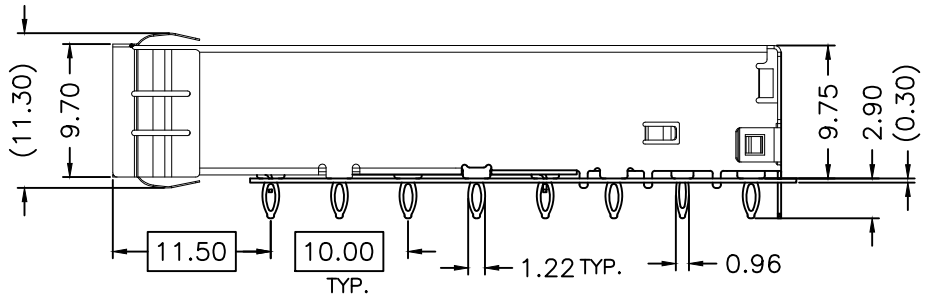
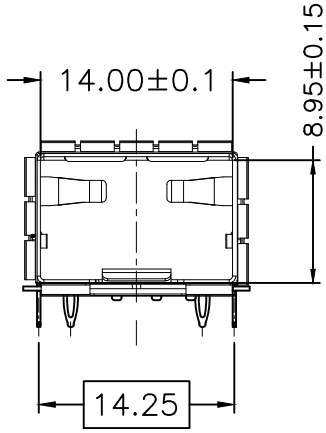
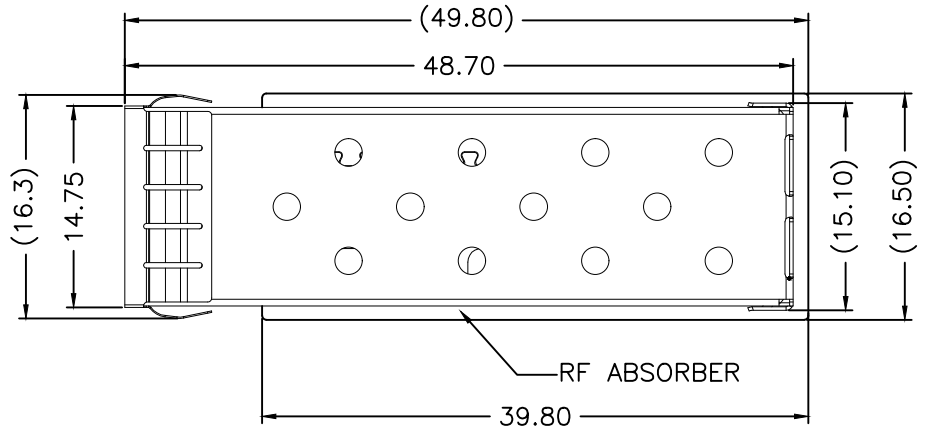


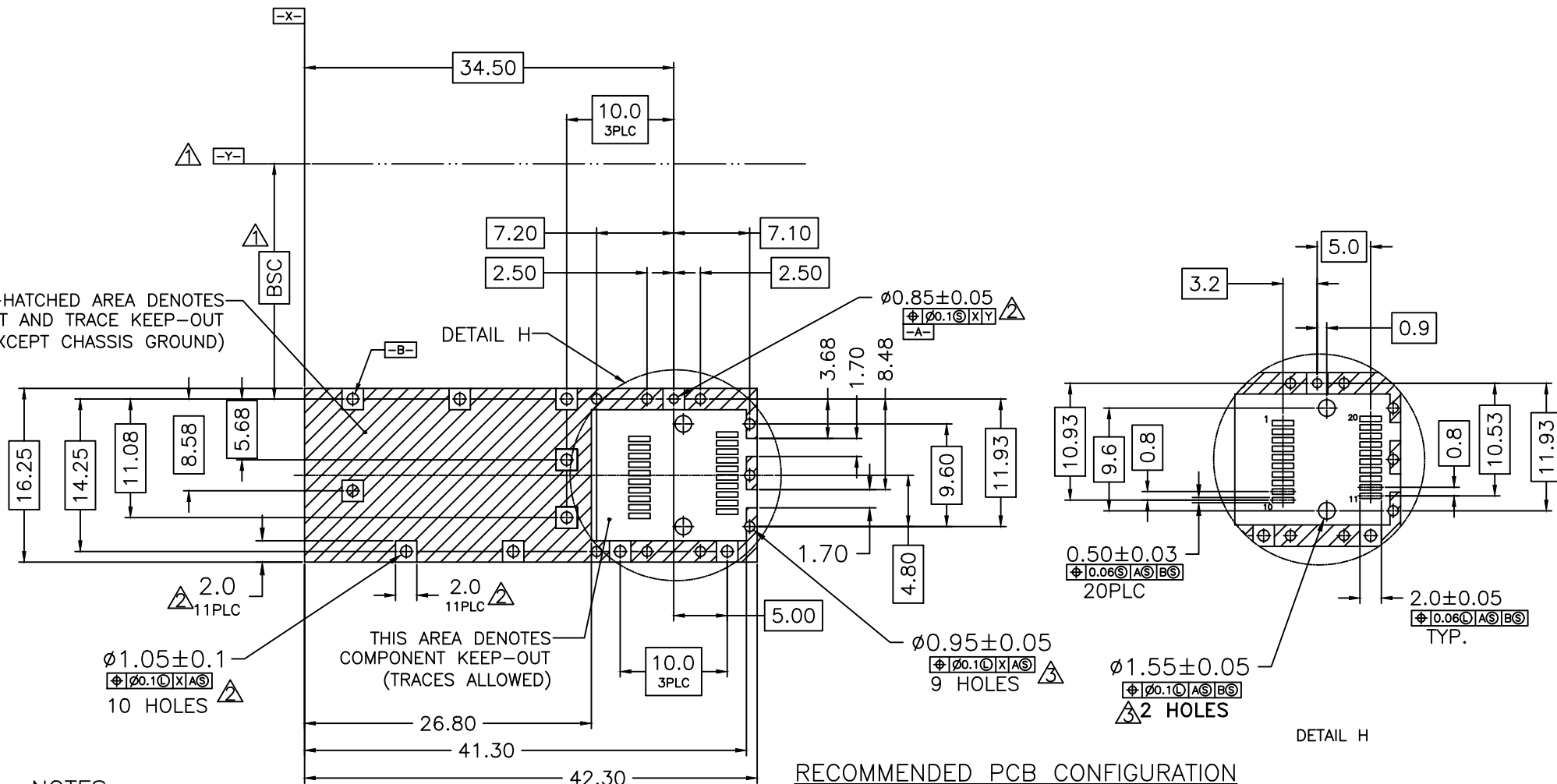
REV	DESCRIPTION OF CHANGE	REVIEWED BY	ISSUE DATE
A	FIRST ISSUE	X.YAN	2022-03-30

NOTES:  
 1.MATERIAL:  
 CAGE: COPPER ALLOY, Ni PLATED  
 THICKNESS 0.25mm  
 2.PACKAGING: TRAY PACKAGING  
 3.TEMPERATURE RANGE: -55°C TO +85°C



TITLE SFP28 1X1 CAGE			<b>CND-tek</b> 深圳磁联达电子有限公司 Shen zhen cnd-tek Electronics Co., Ltd				
PART NO. SFP28 2274001 1X1Y			GENERAL TOLERANCE			UNIT:MM	SIZE: A4
APPROVE	CHECK	DRAW	.X±0.20	.X±1°	SCALE: 1:1	SHEET:1/3	REV:A
QG.CHEN.	SL.WANG	X.YAN	.XX±0.15	.XX±5°			
			.XXX±0.10				

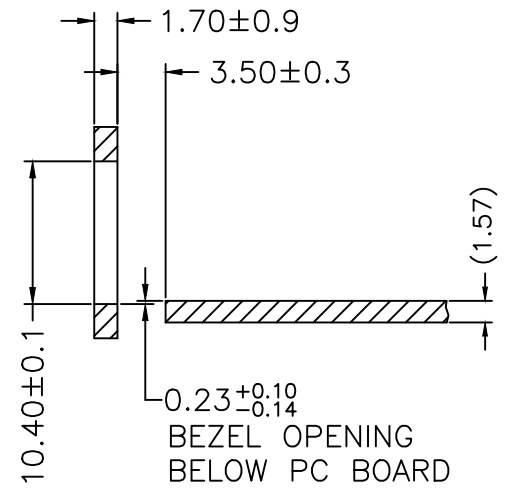
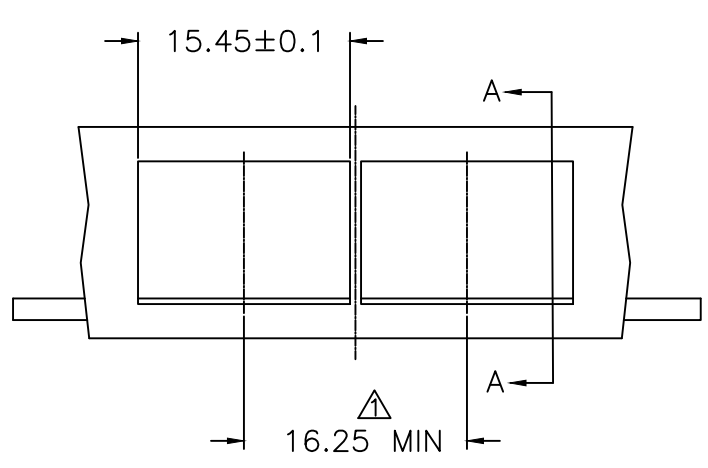
CROSS-HATCHED AREA DENOTES COMPONENT AND TRACE KEEP-OUT (EXCEPT CHASSIS GROUND)



NOTES:

- 1. DATUM AND BASIC DIMENSIONS ESTABLISHED BY CUSTOMER
- 2. PADS AND VIAS ARE CHASSIS GROUND, 11 PLACES
- 3. THRU HOLES, PLATING OPTIONAL

TITLE SFP28 1X1 CAGE			CND-tek 深圳磁联达电子有限公司 Shen zhen cnd-tek Electronics Co., Ltd			
PART NO. SFP28 2274001 1X1Y			GENERAL TOLERANCE		UNIT:MM	SIZE: A4
APPROVE	CHECK	DRAW	.X±0.20	.X±1°	SCALE: 1:1	SHEET:2/3
QG.CHEN.	SL.WANG	X.YAN	.XX±0.15	.XX±5°		
			.XXX±0.10			



SECTION A-A

RECOMMENDED BEZEL DESIGN

NOTES:  
 ▲ MINIMUM PITCH ILLUSTRATED, ENGLISH DIMENSIONS ARE FOR REFERENCE ONLY

TITLE SFP28 1X1 CAGE			<b>CND-tek</b> 深圳磁联达电子有限公司 Shen zhen cnd-tek Electronics Co., Ltd				
PART NO. SFP28 2274001 1X1Y			GENERAL TOLERANCE			UNIT:MM	SIZE: A4
APPROVE QG.CHEN.	CHECK SL.WANG	DRAW X.YAN	.X±0.20	.X±1°	SCALE: 1:1	SHEET:3/3	REV:A
			.XX±0.15	.XX±5°			
			.XXX±0.10				