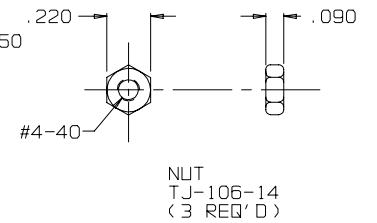
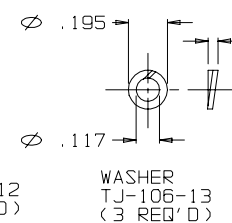
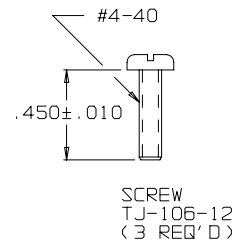
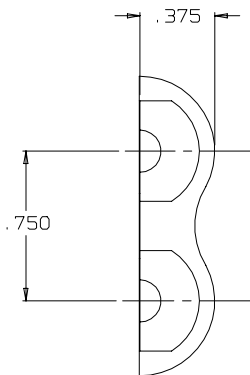
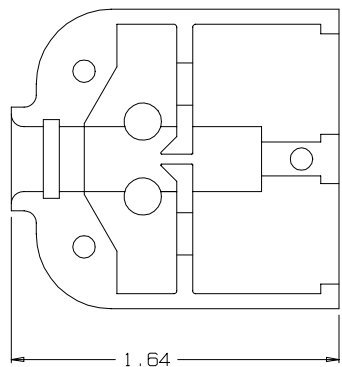
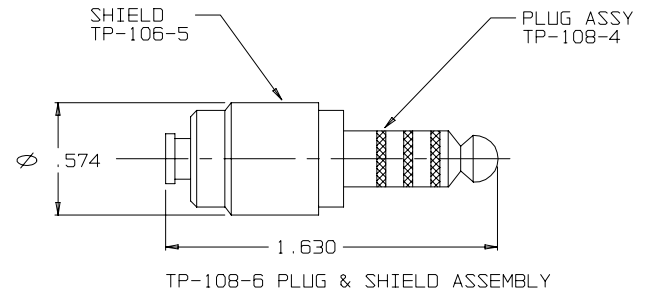
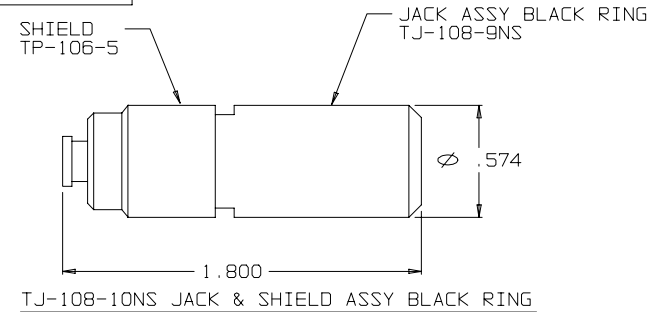
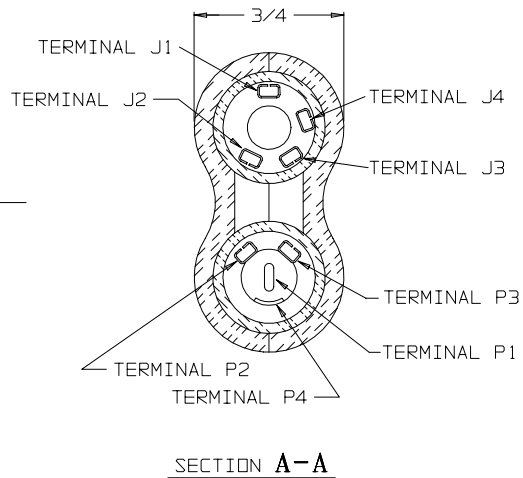
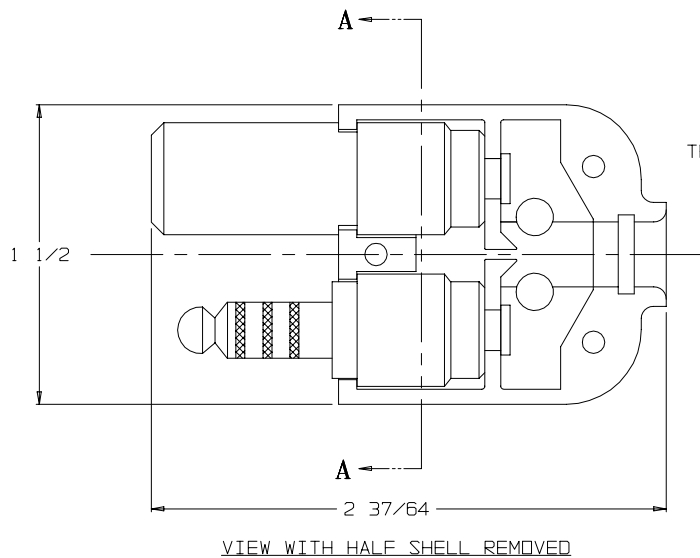
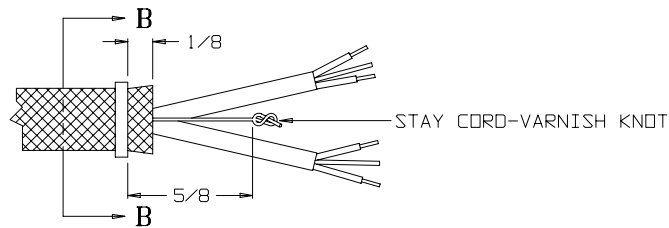
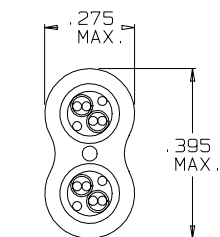
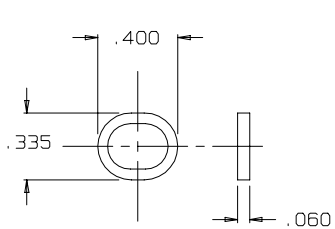


C TP-108NS



- NOTES:
 1) ALL NICKEL PLATING SHALL BE OF SUFFICIENT THICKNESS TO PROVIDE CORROSION PROTECTION. (REF QQ-N-290-A, CLASS 1)
 2) WIRING CALL OUTS ARE FOR REF ONLY



THIS DOCUMENT CONTAINS PROPRIETARY INFORMATION OF NEXUS, INCORPORATED AND SUCH INFORMATION MAY NOT BE DISCLOSED TO OTHERS FOR ANY PURPOSE OR USED FOR ANY PURPOSE WITHOUT THE WRITTEN CONSENT OF NEXUS.

DWN. BY	EWT	DATE	2/24/04	MATERIAL	SEE FIELD OF DRAWING
CHECKED BY		DATE		FINISH	N/A
APPR. BY		DATE		WEIGHT	SCALE 2:1
UNLESS OTHERWISE SPECIFIED DIMENSIONS ARE IN INCHES TOLERANCES ON FRACTIONS DECIMALS ANGLES				TITLE	TP-108 BLACK RING PLUG-TELEPHONE-BIAXIAL SHIELDED (8) CONDUCTOR
				SIZE	DWG. NO.
DO NOT SCALE DWG.				SHEET	1 OF 1

A	INITIAL RELEASE	ERN 034	2/24/04	EWT
LET.	REVISION	CN #	DATE	CHK.
				+/- 1/64 +/- .005

NEXUS
STAMFORD, CONN
 TP-108NS