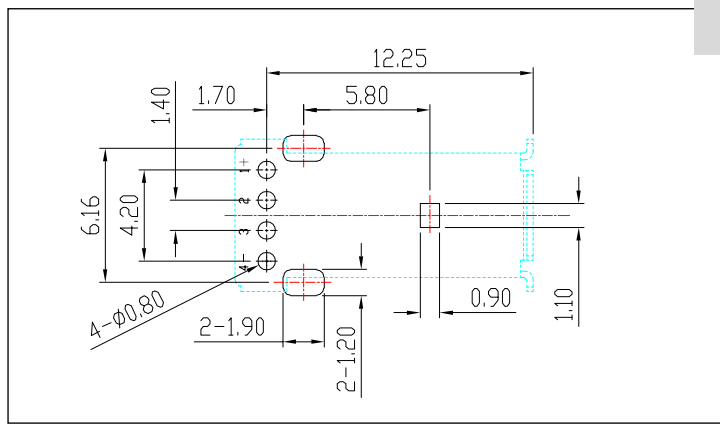
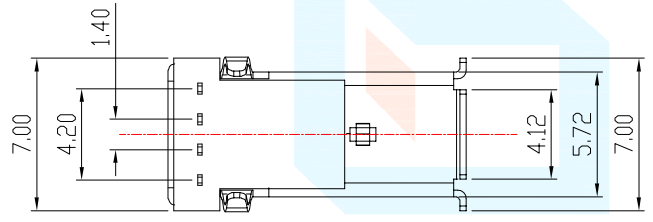
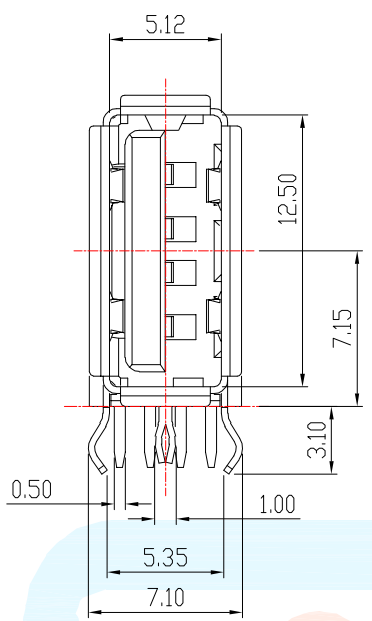
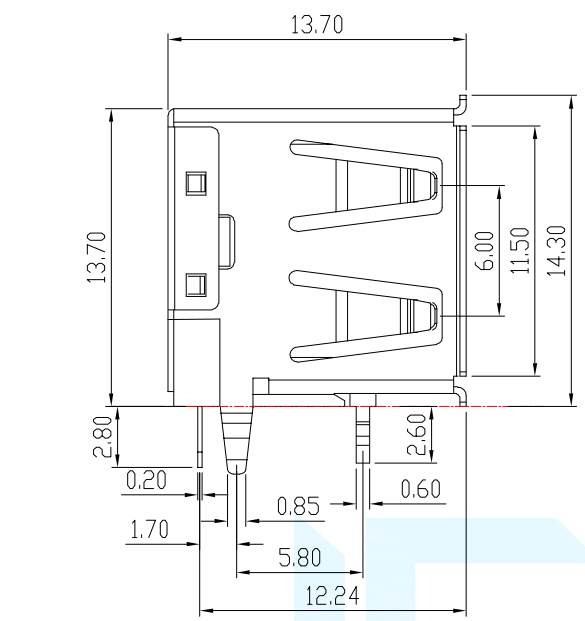


REVISION			
LTR	DESCRIPTION	DATE	APP
AO	NEW RELEASE	05/20/2020	PECK



P.C.B LAYOUT



PROJECT	LEVEL	A[better product]		B[average product]	
		Electrical Properties	Contact Rating	0.25A, 24V DC	
Durable Performance	Initial Contact Resistance	50mΩ max.			
	Insulation Resistance	100MΩ min.500V DC	Skey/PD: 100MΩ min.300V DC		
	Withstand Voltage	500V AC for 1 minute	350 V AC for 1 minute		
	There No Load	6,000 Cycles	5,000 Cycles		
Heat Rrsistance	Rated Load	5,000 Cycles	4,000 Cycles		
	Storage temp.	-35°C~+75°C (Operating Temp: )			
Heat Rrsistance		IR Reflow:235°C, 5sec. Manual :350°C, 3sec.			

物理性能: Mechanical:

- 插拔力: Connector Mate and Unmate Force  
Mate force:3.57kgf(MAX)  
Unmate force:1.02kgf(MIN)
- 端子保持力: Terminal Retention  
1.0kgf(MIN)

原材料: Material:

- Hing Temperature Thermoplastics,
- 端子: Contact: Copper Alloy C2680
  - 外壳: Shell: Copper Alloy C2680/SPCC

电镀: Finish:

- 端子: Contact: Plated Gold in Mating Area;  
Tin On Solder Talls
- 端子四周镀50U”(MIN)等,镀金区域镀100-200U”镀金1U”
- 外壳: Shell:  
铜壳四周镀80U”(MIN)等 Nickel Plating

DIMENSION CLASSIFICATION		台湾碩方精密电子科技有限公司		TAIWAN SOFNG PRECISION ELECTRONIC CO., LTD		SOFNG	
■ : CRITICAL		TITLE		USB-109侧立式短体A型		開關, 连接器	
☒ : MAJOR		TOLERANCE TABLE		USB连接器		SOFNG	
.X	± 0.40	PART NO.	USB-109		SERIES	SD106	
.XX	± 0.25	APPROVED	Peck	DWG NO.	SOF-G006		
.XXX	± 0.10	CHECKED	Paul	SCALE	1:1	UNIT	mm
ANGLE	± 2°	DRAWIN	David	REV	AO	SHEET NO.	1/1