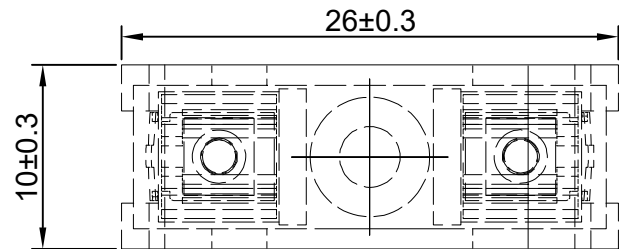


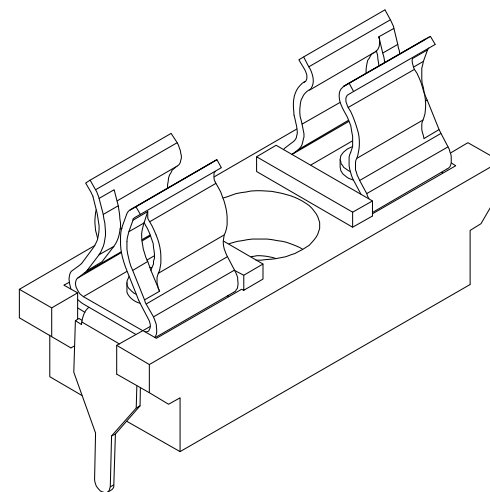
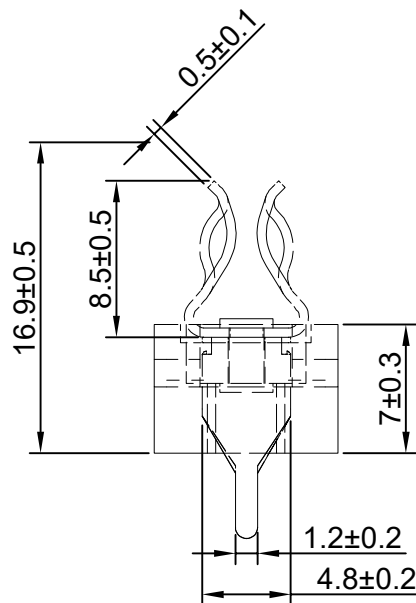
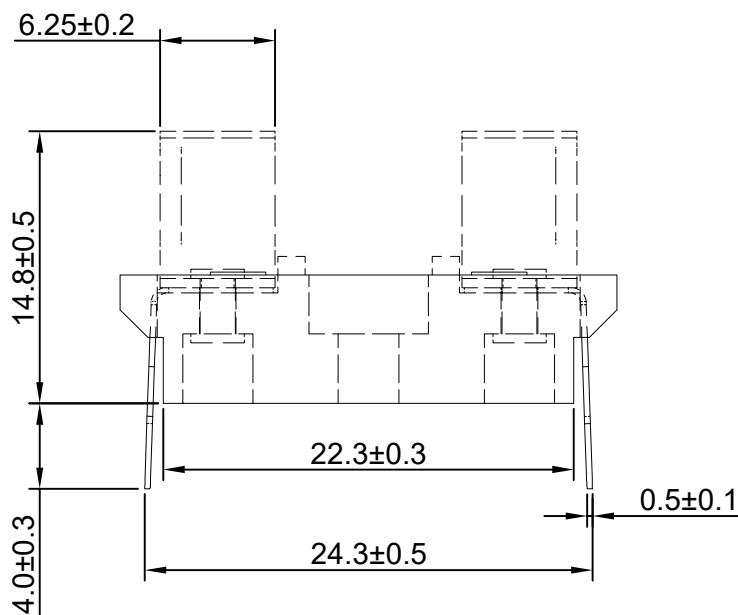
# RoHS

REV	ECN NO.	DESCRIPTION	DESIGN	APPROVAL	DATE
A1	NEW	更换图框			2024.04.17
A1		更新图面 盖子与底座分开出图	Chen HongJiang	Chen ZhiQiang	2025.09.25



### SPECIFICATIONS

Current Rating: 30 Amps @ 500V AC  
 Temperature Rating: -40 °C to 125 °C  
 Insulator: Nylon , UL 94V-0  
 Contacts: Phosphor Bronze  
 Finish: Tin plated over Nickel  
 Fuse Size: 5.2x20mm FUSE BLOCK



X.±0.50	X.°±
.X±0.25	.X°±
.XX±0.15	.XX°±
.XXX±0.10	.XXX°±
UNITS:	mm

THESE DRAWINGS AND SPECIFICATIONS ARE THE PROPERTY OF XFCN AND SHALL NOT BE REPRODUCED, COPIED OR CUED IN ANY MANNER WITHOUT THE PRIOR WRITTEN CONSENT OF XFCN

PART NO:		XF-103		<b>XFCN</b> 兴飞连接器	
TITLE:		5.2x20mm 保险丝座		0769-82001899	
				www.xfconn.com	
				DWG NO: /	
APPD	Chen ZhiQiang	VIEW			
CHKD	Liu Wei	SCALE	SHEET	REV	
DRAW	Chen HongJiang	NONE	1/1	A1	
DATE	2025.09.25				