

SIGN	DATE	DESCRIPTION	APPROVER
△	10/17'08	The dimension changed from 4.0 to 3.2	Kind
△	10/30'12	Change the dimensional tolerance	Jacky
△	10/30'12	Change the screw plating specification	Jacky
△	06/03'14	change the structure	Guoxue
△	06/03'14	Change the dimensional tolerance	Guoxue
△	08/26'14	The dimensional tolerance is change from 15.4±0.30 to 15.4±0.50	Airy min

THIS IS CAD DRAWING, DO NOT REVISE MANUALLY!!!

N = Number of poles

Dim A = N × 8.25 + 2.0

Dim B = (N - 1) × 8.25

	Dim A	Dim B
4P	±0.30	±0.30
5P-8P	±0.40	±0.40
9P-16P	±0.50	±0.50
17P-23P	±0.60	±0.60
24P-30P	±0.80	±0.80

MATERIALS ELECTRICAL

RATED VOLTAGE & CURRENT:

300 V, 20 A

WITHSTAND VOLTAGE:

AC 2000 V/Min

INSULATION RESISTANCE:

1000 MΩ OR MORE AT DC 500 V

OPERATING TEMPERATURE RANG:

-40 °C ~ +115 °C

SCREW TORQUE VALUE:

7 Lb-In.

WIRE RANGE:

22 - 12 AWG

1) MOLDED PARTS:

Thermoplastic, UL 94 V-0 BLACK

2) TERMINAL:

BRASS, 0.8t

△ 3) TERMINAL SCREWS:

STEEL, M3

4) COVER MATERIAL:

PC

APPROVAL:  us

Critical dimension: ▽

PART No.:

YK 401xx 2 x x 00G

△ NO. OF POLES
 04: 4 POLES
 05: 5 POLES
 06: 6 POLES
 ...
 30: 30 POLES

G:RoHS compliant(lead<4%)
 in copper alloy

MARK

0: "@ " MAK

1: "ANY" MAK

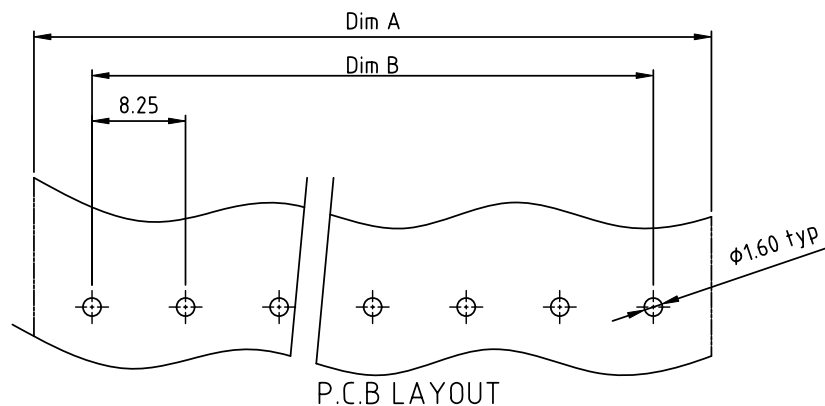
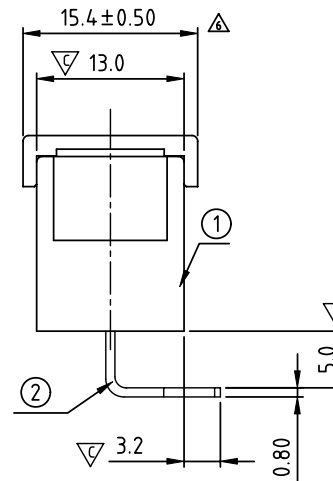
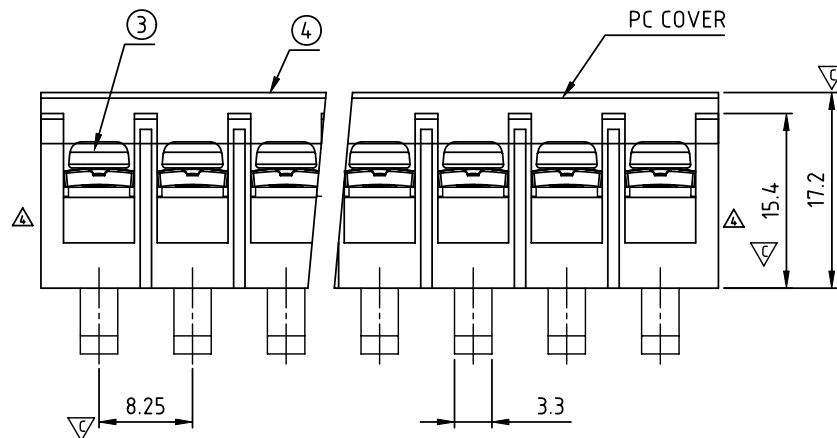
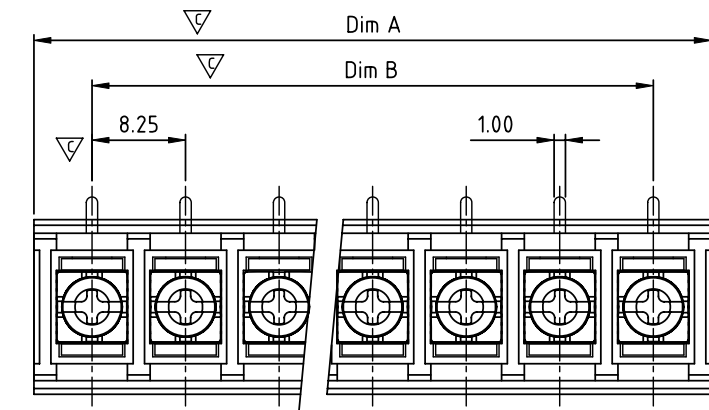
TERMINAL & SCREW PLATED

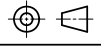
0: TERMINAL & SCREW: G/F

△ 1: TERMINAL: G/F, SCREW: Zinc

2: TERMINAL: Sn, SCREW: G/F

△ 3: TERMINAL: Sn, SCREW: Zinc



ANYTEK				CUSTOMER COPY		
ALL RIGHTS RESERVED. REPRODUCTION OR ISSUE TO THIRD PARTIES IN ANY FORM WHATSOEVER IS NOT PERMITTED WITHOUT WRITTEN AUTHORITY FROM THE PROPRIETOR. PROPERTY OF ANYTEK TECHNOLOGY CO., LTD						
TITLE	YK-401 With Cover Series (4P-30P)					
PART NO.	YK401xx2xx00G			DWG NO.	8YK0001-401	
APPROVED	CHECKED	DESIGNED	DRAWN	CUST NO.	Tolerance	
		Airy min	Airy min		UNIT: mm	X. ±0.50
		2014.08.26	2014.08.26		SCALE: NONE	X.X ±0.30
					REV.: G	X.XX ±0.10
SHEET: 01/01				X° ±1°		