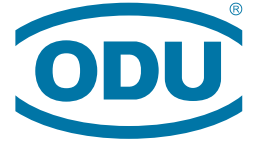


A PERFECT ALLIANCE.



## ODU AMC<sup>®</sup>

Rugged miniature circular connector

PUSH-PULL  
BREAK-AWAY



ODU AMC<sup>®</sup>

ODU AMC<sup>®</sup> EASY-CLEAN

ODU AMC<sup>®</sup> HIGH-DENSITY

ODU THREADED CONNECTOR

# ODU AMC®

## FEATURES

- Low weight and compact design
- Easy handling
- Watertight
- Blind mateable
- Robust
- High data transmission
- EMC shielding
- Robust mechanical and optical coding
- Resist all kinds of extremes like dust, temperature, humidity, corrosion, radiation and shock vibration

## APPLICATIONS

- Communication systems (PTT, PRR)
- Rugged computers and hand-helds
- Power supply
- Unmanned systems
- Optical devices
- Nightvision systems
- Software defined radions
- Defence and security



### Data transmission protocols

These ODU specific connectors can transmit common data transmission protocols such as HDMI®, USB® 2.0 and USB® 3.2 Gen1x1, but they are not HDMI®- and USB®-standard connectors.

All shown connectors are according to IEC 61984:2008 (VDE 0627:2009); connectors without breaking capacity (COC).

ODU AMC® is UL-listed under file E110586.

Issue: 2020-03

Printed on certified recycled paper.



# TABLE OF CONTENTS

THE ODU CORPORATE GROUP .....	<a href="#">4</a>
PRODUCT INFORMATION .....	<a href="#">11</a>
ODU AMC® introduction .....	<a href="#">12</a>
ODU AMC® product features .....	<a href="#">12</a>
ODU AMC® product range and solutions .....	<a href="#">13</a>
Related products .....	<a href="#">13</a>
ODU AMC® locking mechanisms .....	<a href="#">14</a>
CONFIGURATION GUIDELINE .....	<a href="#">17</a>
AMC® .....	<a href="#">23</a>
Summary.....	<a href="#">24</a>
Push-Pull plug .....	<a href="#">26</a>
Break-Away plug .....	<a href="#">27</a>
Panel plug rear mount.....	<a href="#">28</a>
In-line receptacle .....	<a href="#">29</a>
Receptacles .....	<a href="#">30</a>
Coding possibilities .....	<a href="#">33</a>
Housing material .....	<a href="#">33</a>
Contact configurations and PCB layouts .....	<a href="#">34</a>
Protection caps .....	<a href="#">56</a>
TECHNICAL INFORMATION .....	<a href="#">63</a>
Technical data ODU AMC® .....	<a href="#">64</a>
Protection ODU AMC® .....	<a href="#">66</a>
International protection classes .....	<a href="#">67</a>
Turned contact .....	<a href="#">68</a>
Current load – of turned contacts .....	<a href="#">69</a>
Operating voltage .....	<a href="#">70</a>
Conversions / AWG .....	<a href="#">72</a>
Technical terms .....	<a href="#">73</a>

Clickable page numbers

# A PERFECT ALLIANCE

**Creating connections, building alliances, collaborating into the future:** Whether two technical components come together to form a unit or people come together to strive for great results – the key is to aspire to achieve superb results. This goal drives our work. **Perfect connections that inspire and deliver on the promises.**



## ODU GROUP OVERVIEW

- Almost 80 years of experience in connector technology
- Over 2,300 employees worldwide
- Sales subsidiaries in China, Denmark, France, Germany, Hong Kong, Italy, Japan, Korea, Romania, Sweden, UK and the US as well as 5 production and logistics sites
- All technologies under one roof: Design and development, machine tool and special machine construction, injection, stamping, turning, surface technology, assembly and cable assembly

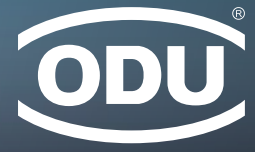
As of February 2020

## CERTIFICATES & APPROVALS

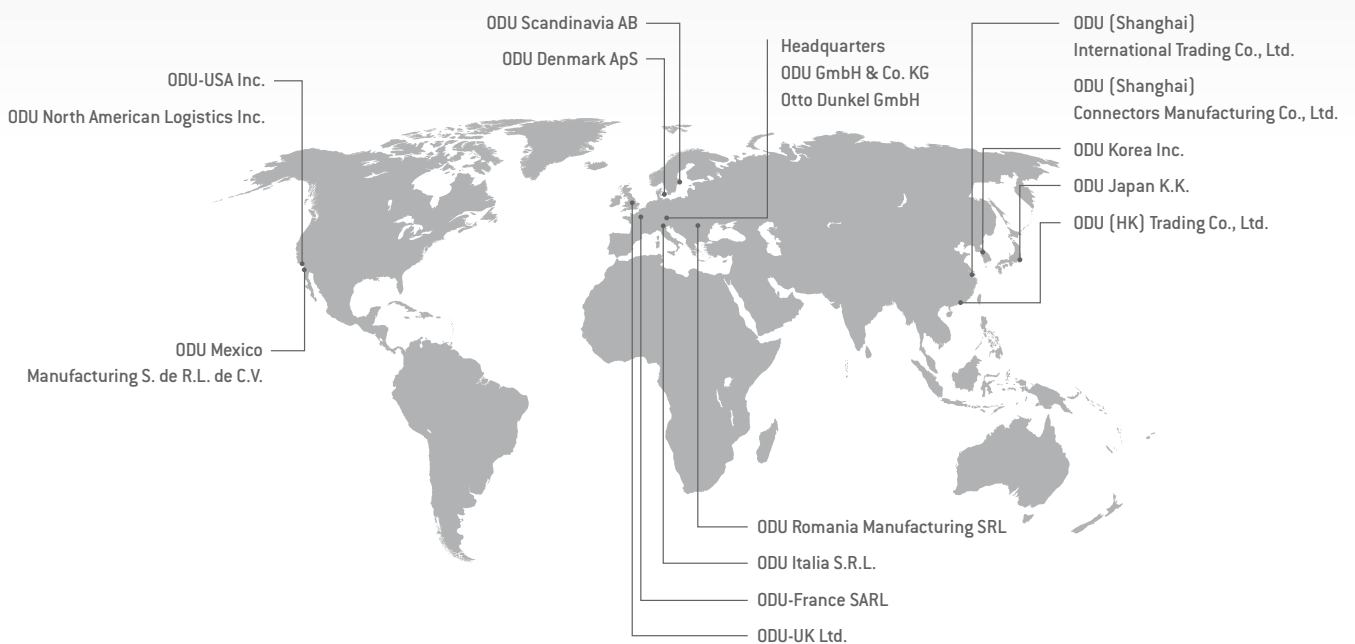
- ISO 9001
- IATF 16949
- ISO 13485
- ISO 14001
- ISO 50001
- Wide range of UL, CSA, VG and VDE approvals
- UL Wiring Harnesses certified

For a complete list of our certifications and approvals, please visit our website.





## WORLDWIDE CUSTOMER PROXIMITY

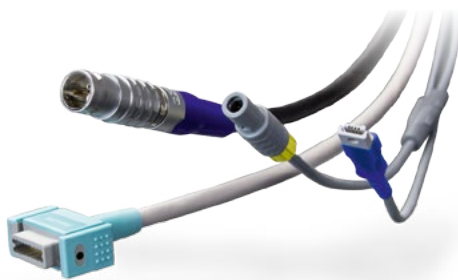


# CONNECTIONS THAT LIVE UP TO ANY REQUIREMENT



## ELECTRICAL CONTACTS

- Versatile contact technologies
- Outstanding reliability and durability
- Current-carrying capacity of up to 2,400 A
- Rugged and universal contact systems
- Stamping technology for customer-specific high volume solutions
- Very high vibration resistance
- Low, stable contact resistance



## CABLE ASSEMBLY

- Complete system solutions from one source based on years of expertise
- State-of-the-art production facilities with 100 % end testing
- Cable assembly available for ODU products
- Overmolding in silicone, hot-melt and high-pressure procedures
- Customer-specific labeling and cable printing
- Wide range of standard cables and accessories available
- Prototype, small series and high volume production
- Rapid prototyping



## CIRCULAR CONNECTORS

- Circular connector series in robust metal or plastic housing
- Contacts for soldering, crimping and PCB termination
- Different locking systems available: Push-Pull and Screw-Locking options or Break-Away function for quick release
- 2 up to 55 contacts
- Protection classes IP50 to IP69
- Autoclavable for medical applications
- Hybrid inserts for combined transmission
- Including cable assembly – system solution from one source



## APPLICATION AND CUSTOMER-SPECIFIC SOLUTIONS

- Contacts, connectors and cable assemblies for the highest technical requirements as well as special applications
- First-class implementation expertise
- High level of vertical manufacturing – all competences and key technologies under one roof
- Expert advice based on mutual partnership
- Short development and production paths



## MODULAR CONNECTORS

- Application-specific hybrid interface
- For manual mating and automatic docking
- Flexible modular construction and highest packing density
- For the transmission of signals, power, high current, high voltage, HF signals (coax), media, high-speed data or fiber optics
- Variety of locking options available
- Mating cycles scalable as required from 10,000 to over 100,000 (1 million)
- Including cable assembly – system solution from one source



## MASS INTERCONNECT SOLUTIONS

- For testing printed circuit boards (PCBs) and electronically assembled units
- Innovative engagement option: electromechanical version
- 8 tensioning points stop the frame distorting
- Very high flexibility thanks to ODU-MAC® modules
- Adapter frame (ITA) with tolerance compensation
- Including cable assembly – system solution from one source



## HEAVY DUTY CONNECTORS

- Extremely durable even under extreme / harsh environments
- High vibration resistance
- Up to 400 A (higher currents upon request)



## PRINTED CIRCUIT BOARD CONNECTORS

- Maximum flexibility in application designs
- High resilience and outstanding quality
- Including cable assembly – system solution from one source



# OUR KNOW-HOW FOR YOUR SUCCESS

Customers rely on ODU technology wherever first-class, high-performance connector solutions are required.

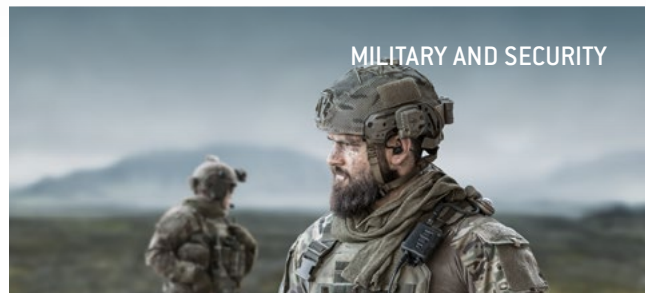
All our skills go into our products to ensure your success.

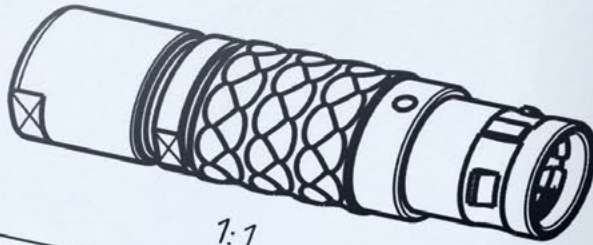
In addition to the top quality, reliable stability and maximum flexibility our products also stand for **dynamics, reliability, safety, precision, efficiency and sustainability.**

---

## HIGH PERFORMANCE CONNECTOR TECHNOLOGY FOR DEMANDING KEY MARKETS

---





1:1

S12L_C-P03MSNO-9900	> 9.0 - 9.9 mm
S12L_C-P03MSNO-9200	> 8.0 - 9.2 mm
S12L_C-P03MSNO-8200	> 7.0 - 8.2 mm
S12L_C-P03MSNO-7200	> 6.0 - 7.2 mm
S12L_C-P03MSNO-6200	> 5.0 - 6.2 mm
S12L_C-P03MSNO-5200	> 4.0 - 5.2 mm

## MORE THAN A CONNECTION

Contacts, connectors and cable assembly system solutions meeting the most demanding technical market requirements – ODU’s connector solutions and value-added services are characterized by their exclusive focus on meeting the customer’s needs.

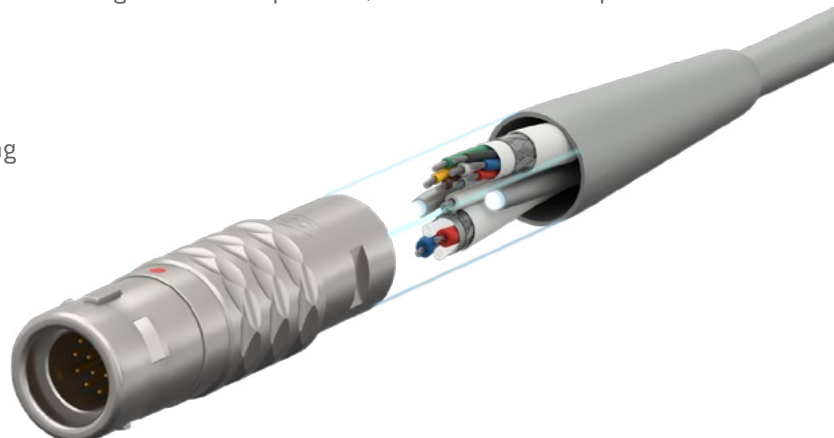
- Precise implementation of application-specific requirements regarding design, functionality, cost and exclusivity
- Modified connector solutions derived from standard products
- One-to-one local expertise and fair, friendly consulting
- Short development and production paths

## DEVELOPMENT OF CUSTOM SOLUTIONS

Demands that can’t be pigeon-holed call for creative specialists who think outside the box. ODU offers the type of expertise that focuses solely on the specific requirements of our customers.

For every development order we get, we not only perform a thorough check to make sure it’s feasible, we intensively incorporate our customers in the ongoing design process.

This guarantees impressive, custom-fit final end products.





ODU AMC®





## PRODUCT INFORMATION

ODU AMC® introduction .....	<a href="#"><u>12</u></a>
ODU AMC® product features .....	<a href="#"><u>12</u></a>
ODU AMC® product range and solutions .....	<a href="#"><u>13</u></a>
Related products .....	<a href="#"><u>13</u></a>
ODU AMC® locking mechanisms .....	<a href="#"><u>14</u></a>

# ODU AMC<sup>®</sup> INTRODUCTION

## A CONNECTOR THAT YOU CAN DEPEND ON

ODU AMC<sup>®</sup> is a rugged miniature connector solution for extreme environments. The connectors are waterproof when mated and unmated, offer robust mechanical coding with a visual indicator, and are EMI shielded.

The connectors have been designed and tested to survive many of the factors detrimental to the performance of connectors in harsh environments, including: sand and dust, extreme temperatures, humidity, corrosion, solar radiation, shock, vibration and torque.

Whether in extreme environments or under high mechanical stress, ODU connectors ensure reliable electrical communication, even in the most demanding conditions.

The ODU AMC<sup>®</sup> is available in a wide range of sizes and contact inserts. You can choose between four versions – Push-Pull, Break-Away, Easy-Clean and High-Density.



## ODU AMC<sup>®</sup> PRODUCT FEATURES

### VARIOUS SIZES AND CONFIGURATIONS AVAILABLE

- 6 standard connector shell sizes
- Plug outer diameter 14 mm to 33 mm
- 1 to 55 contacts
- High-speed data transmission inserts available
- International protection class IP6K8K and IP6K9K

### MATERIALS AND APPLICABILITY

The ODU AMC<sup>®</sup> connector series uses PEEK as the insulator material.

The housings are made of aluminum, and plated with ruthenium over nickel (see page 65 for more information).

Operating temperature range: -51 °C to +125 °C. This rugged and versatile connector series is ideal for defense & security applications as well as industrial electronics.

### COMPLETE SYSTEM SOLUTION


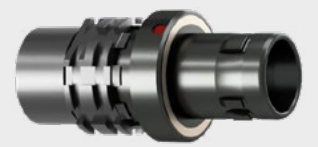
Every connection has a unique cable requirement. Make no compromise when it comes to the quality of the complete interconnect system. ODU gives you the complete system solution from one source, without the need for an intermediary supplier. Services include:

- 100 % outgoing inspection
- EN ISO 14644-1:2015 clean room assembly available
- Factory-automated equipment and processes (cutting, stripping, etc.)
- Low- and high-pressure overmolding
- Ultrasonic welding
- EMI shielded enclosure assembly
- Custom labeling
- Various potting options for sealed systems
- Overmolded cable transitions (1-to-2, 1-to-3, etc.)



# ODU AMC® CONNECTORS

## PRODUCT RANGE AND SOLUTIONS

	Coding	Size	No. of possible mechanical and optical codings	Plug diameter in mm	Max. cable diameter in mm	Number of max. contacts	High-speed inserts	Solder	PCB	International protection class A <sup>1</sup>
<b>ODU AMC® PUSH-PULL</b>	Pin and groove	0	4	14.0	5.5	10	●	●	●	Up to IP6K9K
		1		15.9	6.5	16				
		1.5		16.5	8.0	19				
		2		19.6	10.0	26				
		3		23.9	11.5	37				
		4.5		33.0	17.5	55				
<b>ODU AMC® BREAK-AWAY</b>	Pin and groove	0	4	11.9	5.5	10	●	●	●	Up to IP6K9K
		1		13.9	6.5	16				
		1.5		15.9	8.0	19				
		2		17.6	10.0	26				
		3		21.9	11.5	37				

<sup>1</sup> International protection class in mated condition

## RELATED PRODUCTS IN THE ODU CIRCULAR CONNECTOR SERIES



- Pogo pin contacts can be easily cleaned and are resilient against damage caused by dirt and debris ingress
- Break-Away function
- International protection class IP6K8 and IP6K9K
- Small and compact design
- High-contact density
- High-speed data transmission capable
- Break-Away function
- International protection class IP6K8
- With dual-locking option
- High reliability for harsh environments
- Screw locking with ratchet mechanism half turn to fully mate
- High vibration resistant
- International protection class IP6K8
- More mating cycles than most MIL spec. connectors
- Circular Push-Pull connector with metal housing
- Wide variety of contact configurations and combinations
- International protection class IP50 and IP68

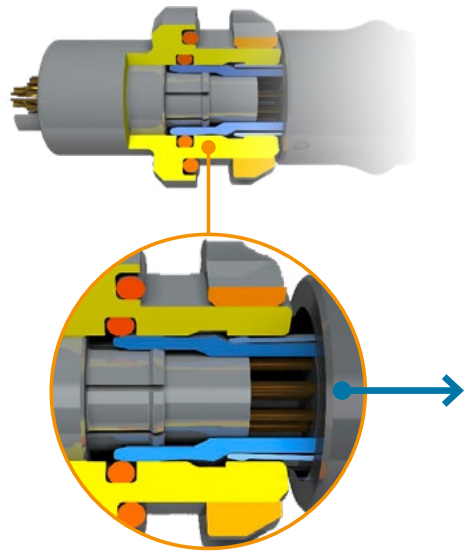
# ODU AMC<sup>®</sup> LOCKING MECHANISMS – THE PERFECT CONNECTION

ODU offers you high-quality connectors and comprehensive service for the complete assembly. From connectors to submersible overmolded cable assemblies, we provide the complete system as a one-stop solution.

## PUSH-PULL LOCKING

The proven Push-Pull locking principle ensures reliable mechanical mating and demating in less than a second. During the mating process, locking tabs on the plug align with corresponding grooves in the receptacle and form a robust, resilient connection between shell bodies.

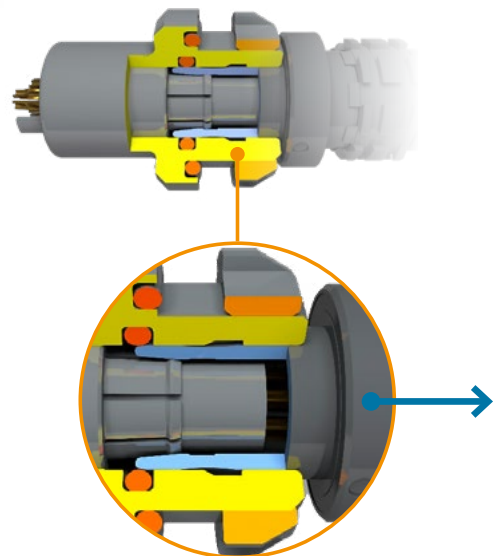
The connection can only be disengaged by manually actuating (pulling back) on the outer sleeve of the plug connector. Pulling on the cable has no impact on the connector sleeve, and therefore no impact on the locking mechanism. Consequently, once the connection is made, it will not be unintentionally disengaged pulling on the cable.



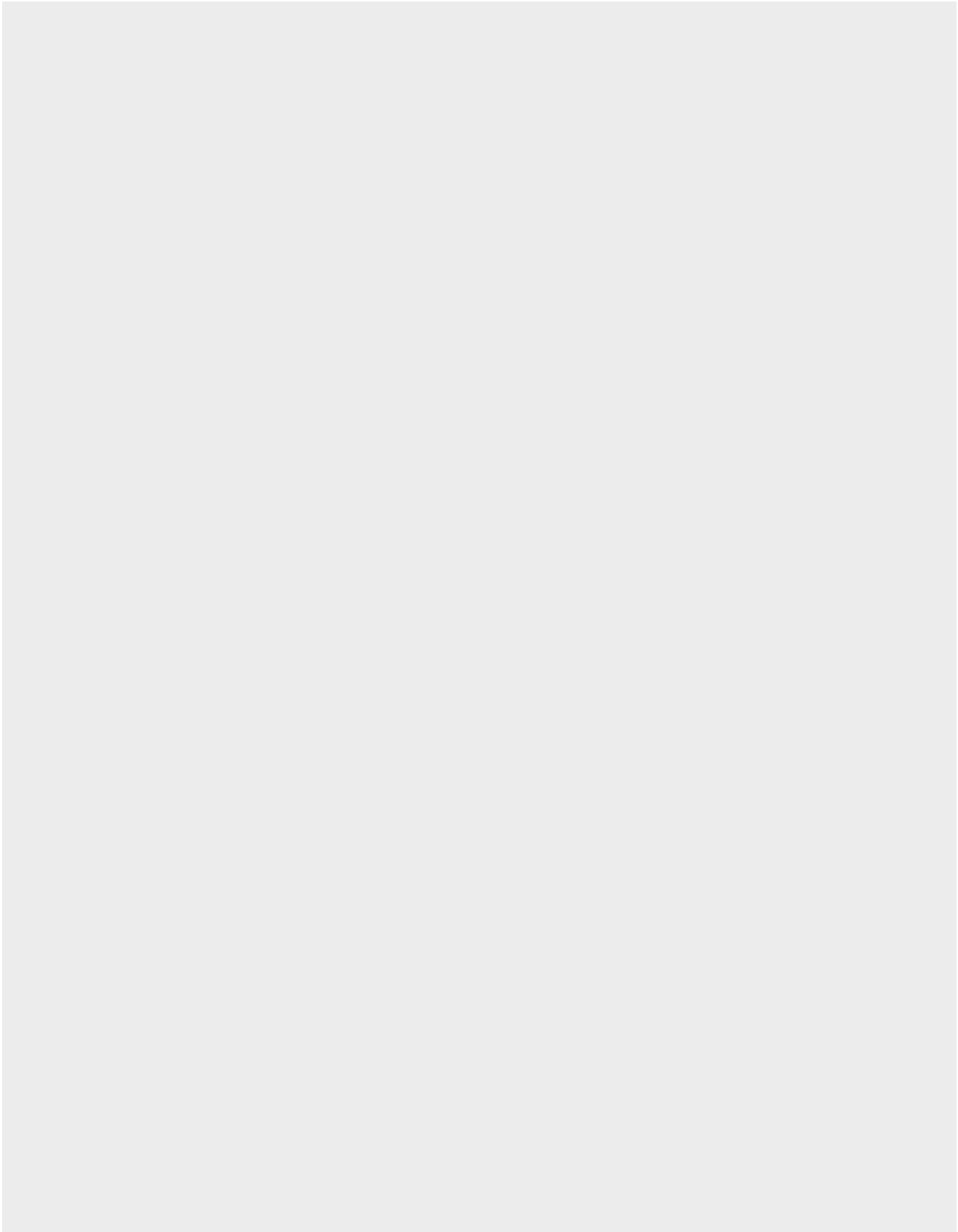
## BREAK-AWAY FUNCTION

The Break-Away function allows connectors to be mated and unmated in fractions of a second, just like in the Push-Pull locking mechanism described above. As a safety measure, features in the connector allow the plug and receptacle to separate when the connector is in axial tension.

During the mating process, locking tabs on the plug align with corresponding grooves in the receptacle, but the geometry of the locking tabs is such that the connectors will separate when the specific retention force of the mechanism is exceeded. As a result, disconnection of the system can be triggered by pulling on the plug connector, the receptacle connector or cables attached to either.



# FOR YOUR NOTES





ODU AMC®



# CONFIGURATION GUIDELINE

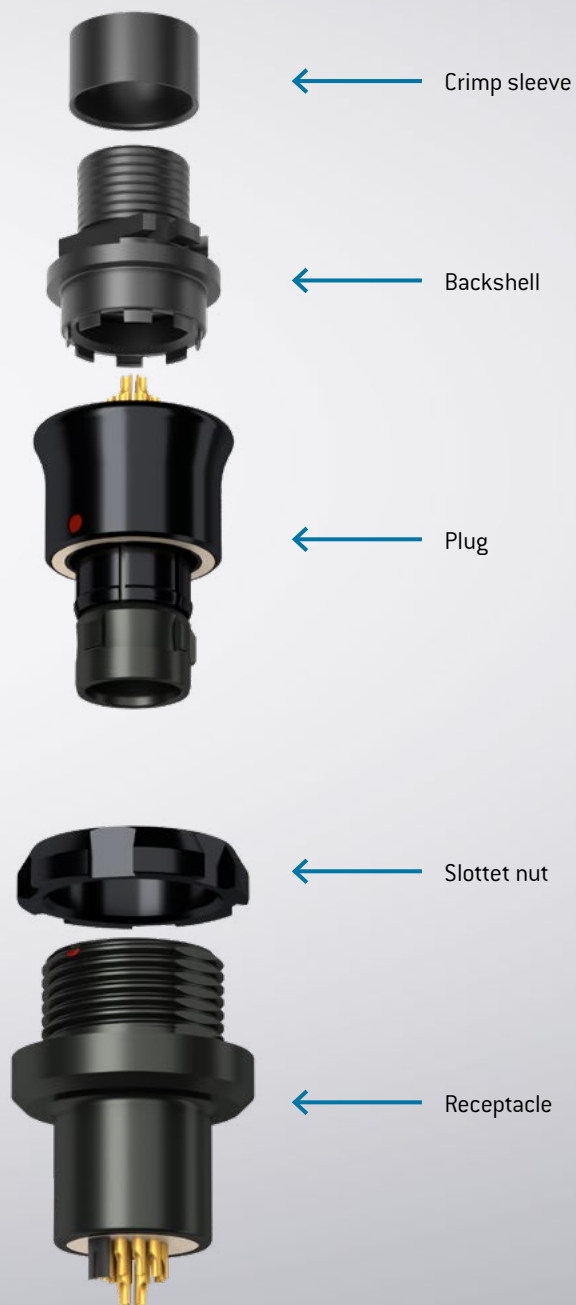
Correct configuring – step by step

---

# BIT BY BIT TO THE PERFECT CONNECTION

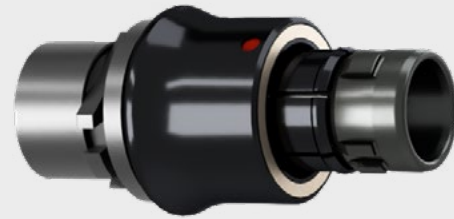
---

ODU offers you high-quality connectors and comprehensive service for the complete assembly. From connectors to watertight potting, we provide the complete system from a single source.



# SAMPLE CONFIGURATION STEP BY STEP

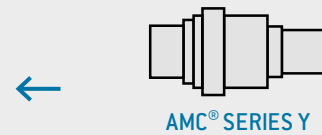
The perfect product for you in just a few steps. These step-by-step instructions show you how to configure your own individual product with the ODU part number key based on a sample configuration.



Push-Pull plug / size 2 / AMC® Series Y / coding A / connector plug housing ruthenium over aluminium / insulator PEEK / 19 contacts / pin (solder) Au / contact diameter 0.7mm / termination cross section AWG 22

## STEP 1: SERIES (SEE POSITION 4)

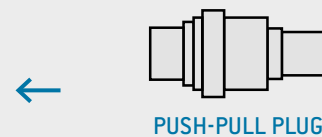
1	2	3	4	5	6	7	8	9	10	11	12	13	14	15	16	17	18	19
			Y			-							0	-			0	



## STEP 2: TYPE/STYLE (SEE POSITIONS 1, 2, 16, 17 AND 19)

PAGE 26 – 32

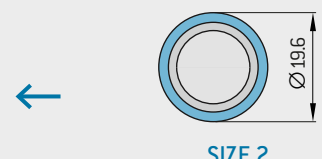
1	2	3	4	5	6	7	8	9	10	11	12	13	14	15	16	17	18	19
S	1		Y			-							0	-	0	0	0	0



## STEP 3: SIZE (SEE POSITION 3)

PAGE 34 – 55

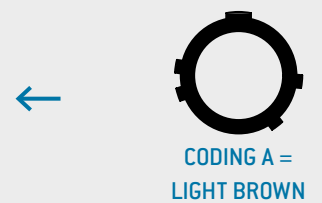
1	2	3	4	5	6	7	8	9	10	11	12	13	14	15	16	17	18	19
S	1	2	Y			-							0	-	0	0	0	0



## STEP 4: CODING (SEE POSITION 5)

PAGE 33

1	2	3	4	5	6	7	8	9	10	11	12	13	14	15	16	17	18	19
S	1	2	Y	A		-							0	-	0	0	0	0



## STEP 5: HOUSING MATERIAL (SEE POSITION 6)

PAGE 33

1	2	3	4	5	6	7	8	9	10	11	12	13	14	15	16	17	18	19
S	1	2	Y	A	R	-							0	-	0	0	0	0



# YOUR WAY TO AN INDIVIDUAL CONNECTION:

## HOW TO CONFIGURE WITH THE PART NUMBER KEY

This shows you how ODU's part number key is composed. In the first part of the configuration, select the connector plug housing (such as style and size) of the connector. In the middle part of the part number key, you configure the contact insert and then the cable entry.

### Type

A = Break-Away plug

G = Receptacle / panel mounted plug

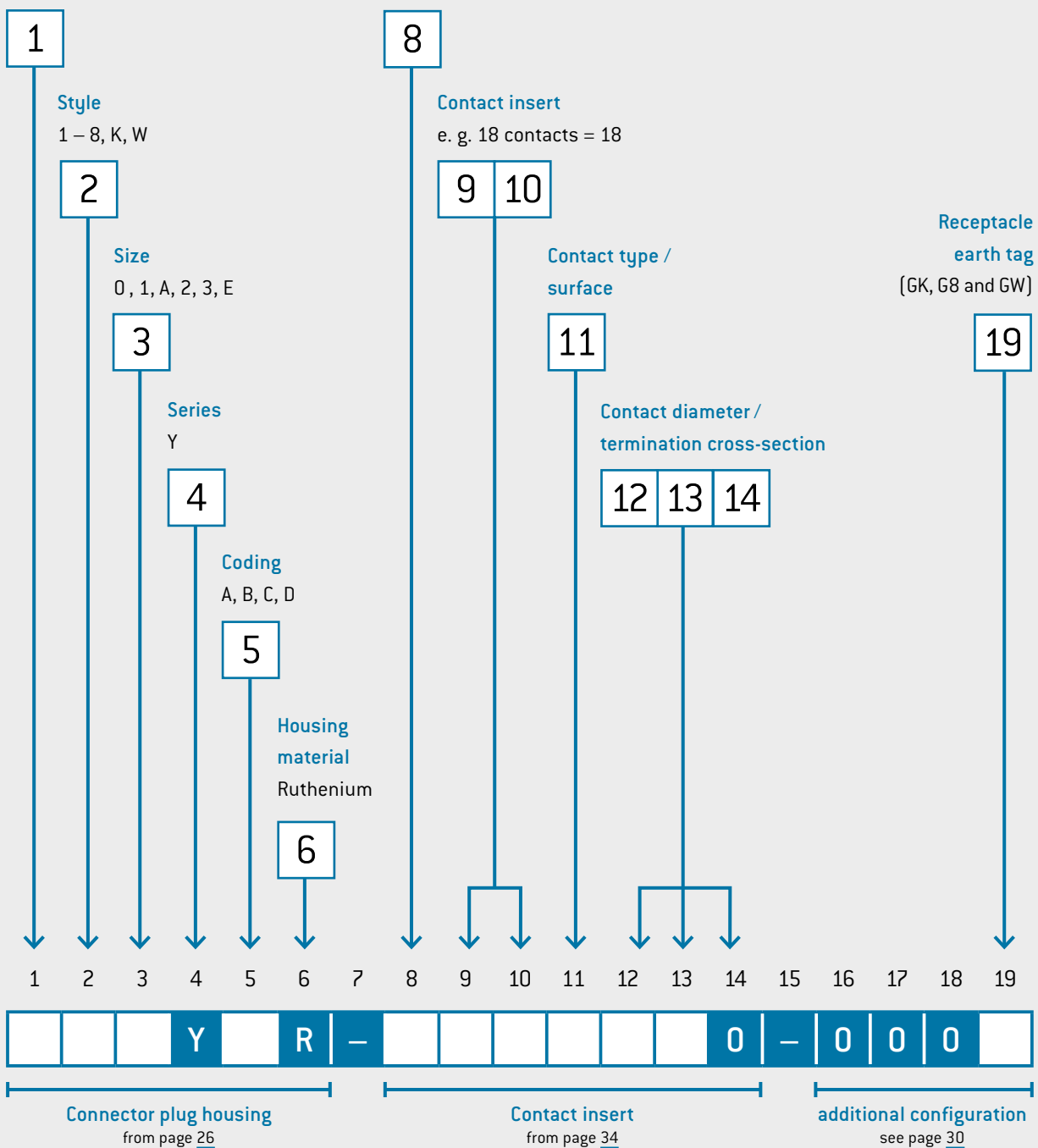
K = In-line receptacle

S = Push-Pull plug

### Material insulator<sup>1</sup>

P = PEEK

F = PTFE



<sup>1</sup>Other insulation materials on request.



STEP 6: INSULATOR MATERIAL (SEE POSITION 8)

1	2	3	4	5	6	7	8	9	10	11	12	13	14	15	16	17	18	19
S	1	2	Y	A	R	-	P						0	-	0	0	0	0

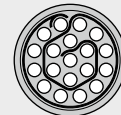


PEEK

STEP 7: CONTACT INSERT (SEE POSITIONS 9 AND 10)

PAGE 34 – 55

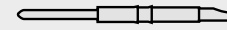
1	2	3	4	5	6	7	8	9	10	11	12	13	14	15	16	17	18	19
S	1	2	Y	A	R	-	P	1	9				0	-	0	0	0	0



16 CONTACTS

STEP 8: CONTACT TYPE / SURFACE (SEE POSITION 11)

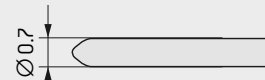
1	2	3	4	5	6	7	8	9	10	11	12	13	14	15	16	17	18	19
S	1	2	Y	A	R	-	P	1	9	X			0	-	0	0	0	0



SOLDER (PIN)

STEP 9: CONTACT DIAMETER (SEE POSITION 12)

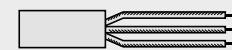
1	2	3	4	5	6	7	8	9	10	11	12	13	14	15	16	17	18	19
S	1	2	Y	A	R	-	P	1	9	X	F		0	-	0	0	0	0



DIAMETER 0.7 mm

STEP 10: TERMINATION CROSS-SECTION (SEE POSITIONS 13)

1	2	3	4	5	6	7	8	9	10	11	12	13	14	15	16	17	18	19
S	1	2	Y	A	R	-	P	1	9	X	F	G	0	-	0	0	0	0



AWG 22



ODU AMC®



## ODU AMC®

Summary .....	<a href="#">24</a>
Push-Pull plug .....	<a href="#">26</a>
Break-Away plug .....	<a href="#">27</a>
Panel plug rear mount .....	<a href="#">28</a>
In-line receptacle .....	<a href="#">29</a>
Receptacles .....	<a href="#">30</a>
Coding possibilities .....	<a href="#">33</a>
Housing Material .....	<a href="#">33</a>
Contact configuration and PCB layouts .....	<a href="#">34</a>
Protection caps .....	<a href="#">56</a>

# SUMMARY ODU AMC®

ODU AMC® use pin and groove coding and additional to mechanical also optical color coding. These robust circular connectors can be configured in variety ways.

- Mechanical coding over pin and groove
- 1 to 55 contacts/high speed data transmission
- Up to 6 sizes
- Protection class IP6K8 and IP6K9K
- 5,000 mating cycles
- Contacts for solder and PCB termination

## PUSH-PULL PLUG

P. 26

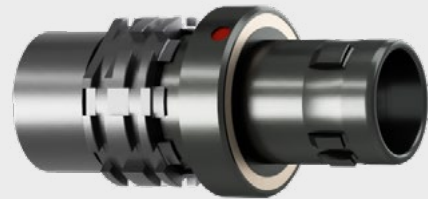
S 1



## BREAK-AWAY PLUG

P. 27

A 1



## PANEL PLUG

P. 28

G W



IN-LINE RECEPTACLE

P. 29

K 1



RECEPTACLES

P. 30

G K



G 6

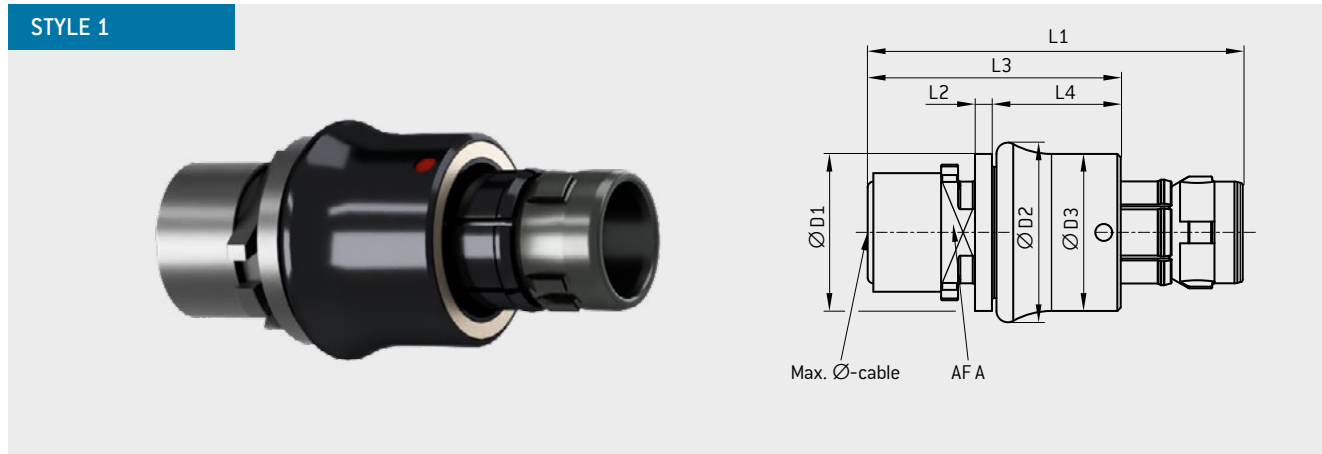


G 8



For assembly instructions please refer to our website:  
[www.odu-connectors.com/downloads](http://www.odu-connectors.com/downloads)

# PUSH-PULL PLUG



Size		L1	L2	L3	L4	D1	D2	D3	AF A	Max Ø-cable <sup>1</sup>
		mm	mm	mm	mm	mm	mm	mm	mm	mm
0	0	31.4	1.5	21.4	10.4	11.9	14.0	12.0	7	5.5
1	1	33.2	1.5	22.4	11.4	13.9	15.9	13.9	8	6.5
1.5	A	32.7	1.5	22.7	11.7	14.5	16.5	14.5	10	8.0
2	2	35.2	1.5	23.2	12.2	17.6	19.6	17.6	12	10.0
3	3	38.3	1.5	23.2	12.2	21.9	23.9	22.0	14	11.5
4.5 <sup>2</sup>	E	52.6	2.2	34.1	18.1	29.8	33.0	30.0	21	17.5

### TECHNICAL DATA

- Technical data see page 64
- Contact configuration see page 34
- Cable assembly information see ODU instruction 010.645.001.000.002 [available at [www.odu-connectors.com/downloads/assembly-instructions](http://www.odu-connectors.com/downloads/assembly-instructions)]

<sup>1</sup> Based on cable with one braided shield

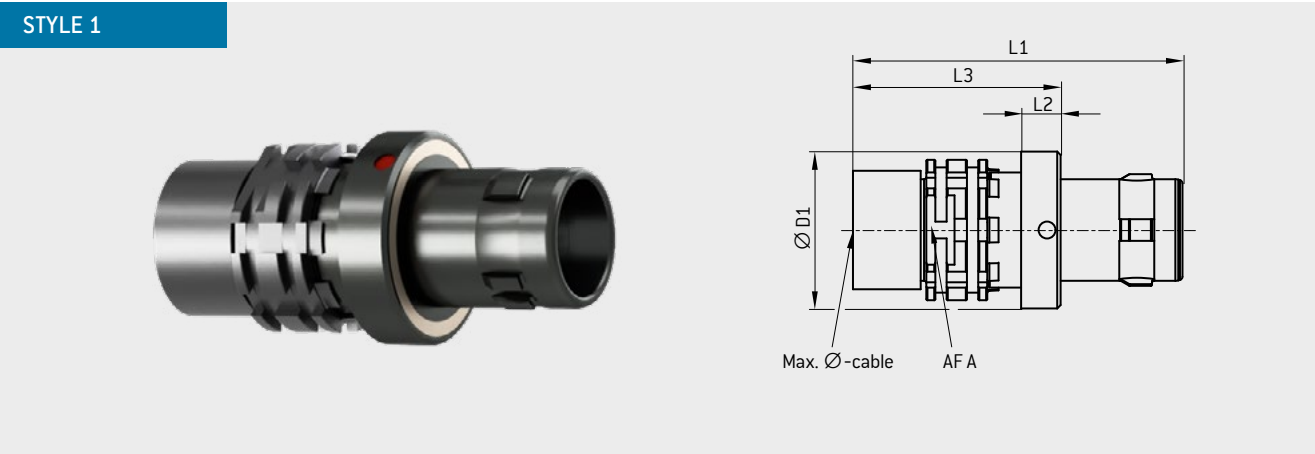
<sup>2</sup> Delivered with Band-It Band instead of crimp barrel; no color coding available

↓

1 2 3 4 5 6 7 8 9 10 11 12 13 14 15 16 17 18 19

**S | 1 | Y | R | - | P | | | | | 0 | - | 0 | 0 | 0 | 0**

# BREAK-AWAY PLUG



Size		L1 mm	L2 mm	L3 mm	D1 mm	AFA mm	Max Ø-cable <sup>1</sup> mm
0	0	25.0	3.0	15.0	11.9	9	5.5
1	1	29.2	3.5	18.4	13.9	11	6.5
1.5	A	28.5	3.5	18.5	15.9	12	8.0
2	2	31.0	4.0	19.0	17.6	14	10.0
3	3	37.5	4.0	22.4	21.9	18	11.5

**TECHNICAL DATA**

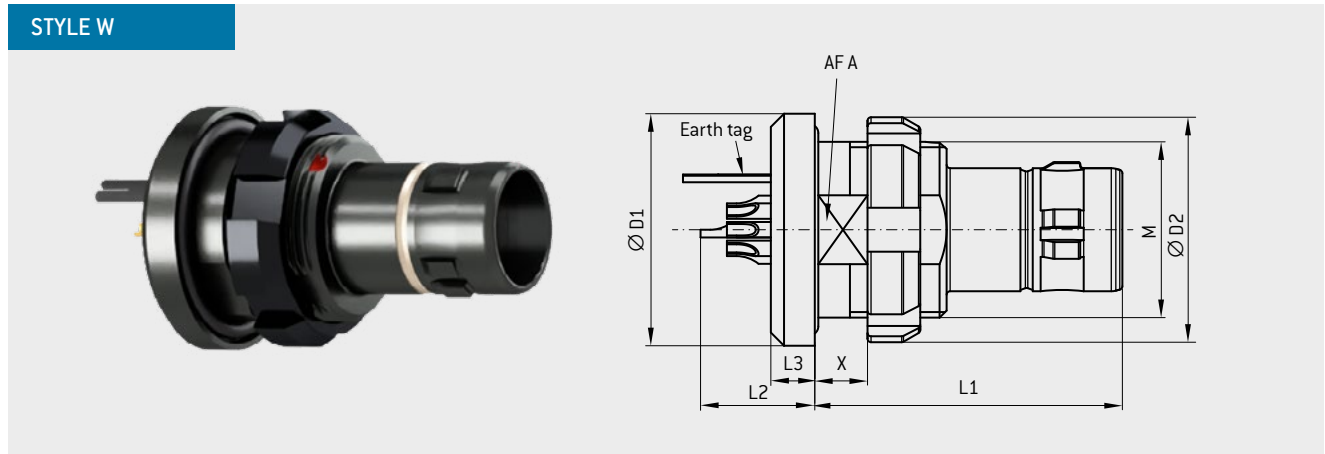
- Technical data see page 64
- Contact configuration see page 34
- Cable assembly information see ODU instruction 010.645.001.000.004 [available at [www.odu-connectors.com/downloads/assembly-instructions](http://www.odu-connectors.com/downloads/assembly-instructions)]

<sup>1</sup> Based on cable with one braided shield

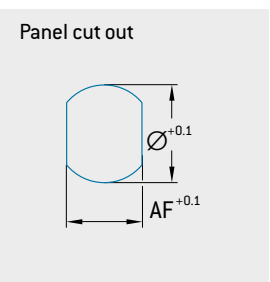


1 2 3 4 5 6 7 8 9 10 11 12 13 14 15 16 17 18 19  
**A | 1 | Y | R | - | P | | | | | 0 | - | 0 | 0 | 0 | 0**

# PANEL PLUG REAR MOUNT



Size		L1	L2	L3	X max.	D1	D2	AF A	M	Panel cut out	
		mm	mm	mm	mm	mm	mm	mm	mm	AF mm	Ø mm
0	0	17.5	6.5	2.5	4.0	13.2	12.8	9.2	10 × 0.5	9.3	10.1



**NUTDRIVER FOR SLOTTED NUT**

Size	Number	Torque Nm
0	700.098.005.000.000	0.8

**TECHNICAL DATA**

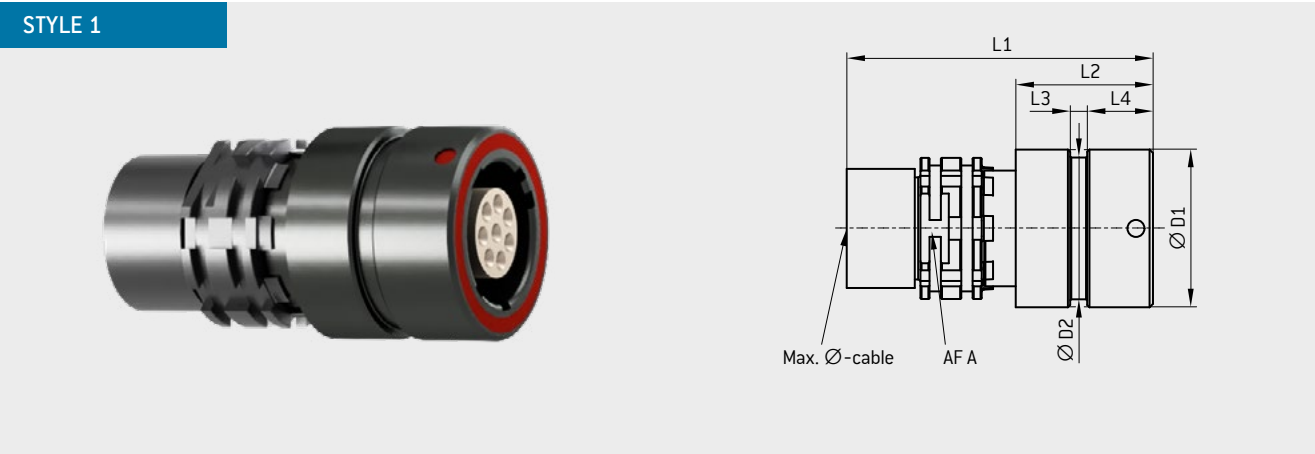
- Technical data see page [64](#)
- Contact configuration and PCB layout see page [34](#)

1 2 3 4 5 6 7 8 9 10 11 12 13 14 15 16 17 18 19

**G | W | Y | R | - | P | | | | | 0 | - | 0 | 0 | 0 | L**



# IN-LINE RECEPTACLE

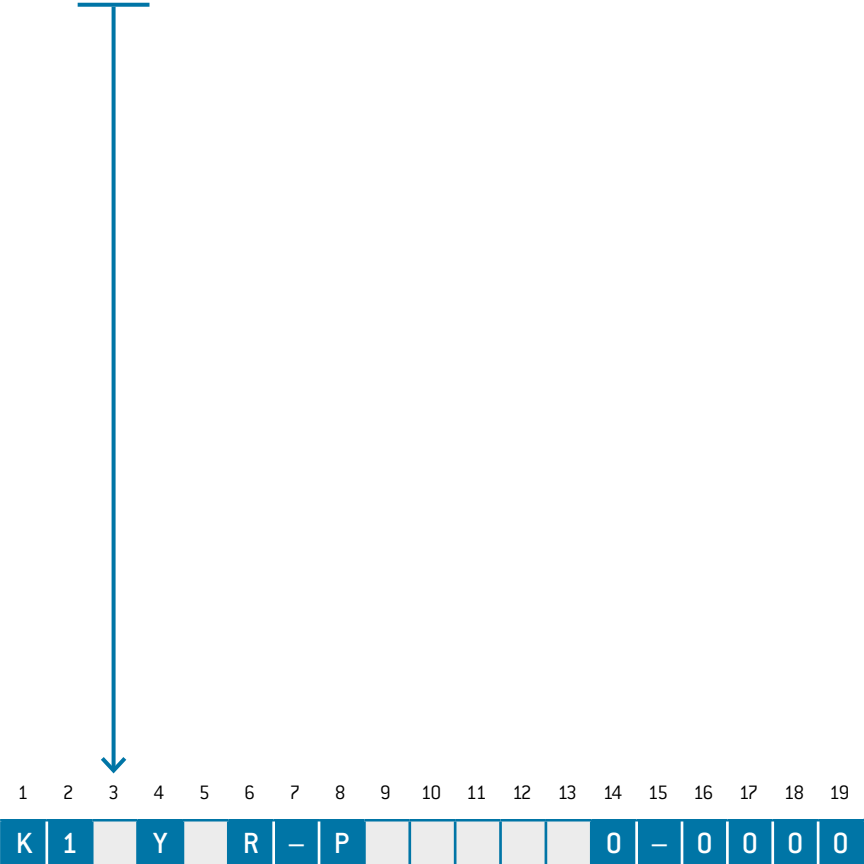


Size		L1 mm	L2 mm	L3 mm	L4 mm	D1 mm	D2 mm	AF A mm	Max Ø-cable <sup>1</sup> mm
0	0	25.0	13.0	1.5	5.8	11.9	10.5	9	5.5
1	1	27.0	12.1	1.5	5.8	13.9	12.5	11	6.5
1.5	A	27.0	12.0	1.5	5.8	15.9	14.5	12	8.0
2	2	30.0	15.0	1.5	5.8	17.6	16.2	14	10.0
3	3	38.0	19.5	1.5	5.8	21.9	20.8	18	11.5

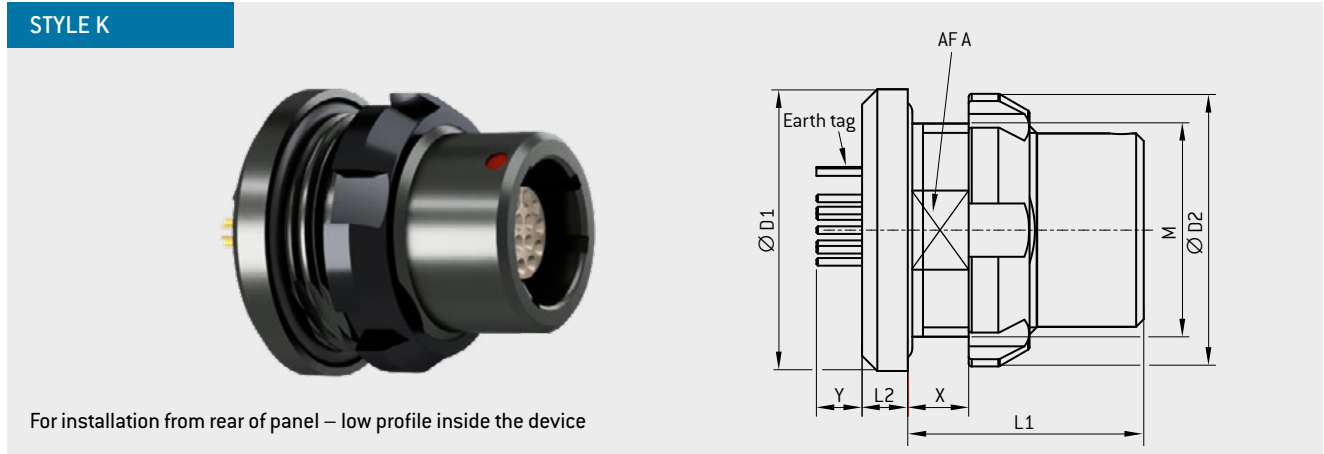
**TECHNICAL DATA**

- Technical data see page 64
- Contact configuration see page 34
- Cable assembly information see ODU instruction 010.645.001.000.003 [available at [www.odu-connectors.com/downloads/assembly-instructions](http://www.odu-connectors.com/downloads/assembly-instructions)]

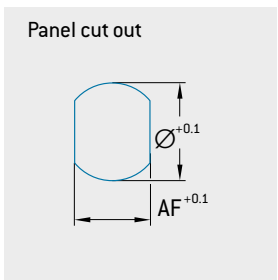
<sup>1</sup> Based on cable with one braided shield



# RECEPTACLE



Size		L1 mm	L2 mm	Y mm	X max mm	D1 mm	D2 mm	AF A mm	M mm	Panel cut out	
										AF mm	∅ mm
0	<b>0</b>	13.0	2.5	page 35	5	15.5	15.0	10	11 × 0.75	10.1	11.1
1	<b>1</b>	15.5	3.0	page 43	4	18.5	17.9	13	14 × 1	13.1	14.1
1.5	<b>A</b>	14.2	3.0	page 47	4	18.9	17.9	13	14 × 1	13.1	14.1
2	<b>2</b>	17.5	3.0	page 49	4	20.8	21.9	15	16 × 1	15.1	16.1



**NUTDRIVER FOR SLOTTED NUT**

Size	Number	Torque Nm
0	700.098.001.000.000	1.0
1	701.098.002.000.000	3.0
1.5 (A)	701.098.002.000.000	3.0
2	702.098.001.000.000	4.0

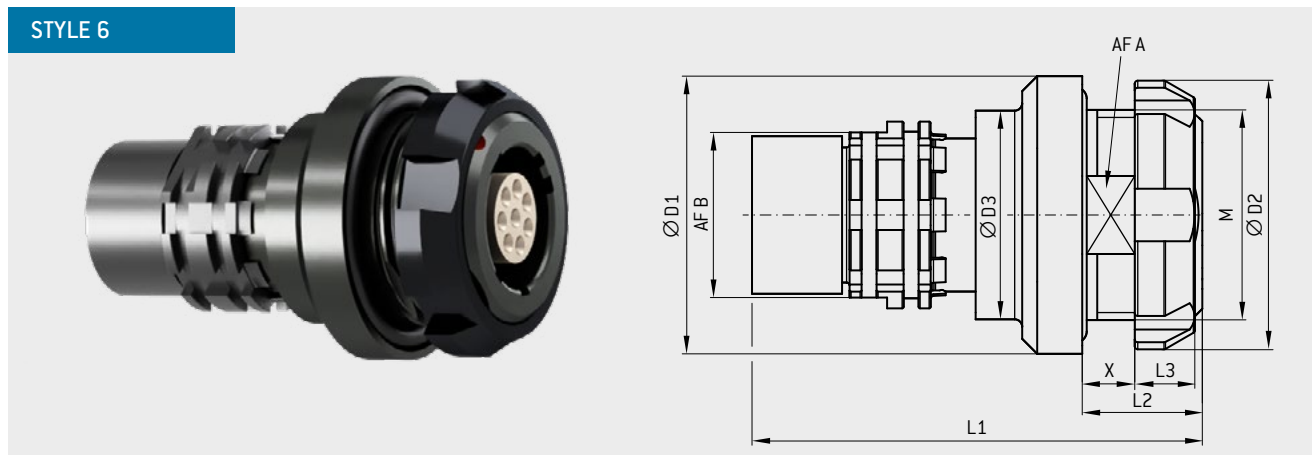
**TECHNICAL DATA**

- Technical data see page 64
- Contact configuration and PCB layout see page 34

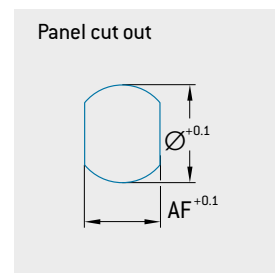
1 2 3 4 5 6 7 8 9 10 11 12 13 14 15 16 17 18 19

**G | K | Y | R | - | P | | | | | 0 | - | 0 | 0 | 0 | L**

# RECEPTACLE



Size		L1	L2	L3	X	D1	D2	D3	AFA	AF B	M	Max. Ø-cable <sup>1</sup>	Panel cut out	
		mm	mm	mm	max. mm	mm	mm	mm	mm	mm	mm	mm	AF mm	Ø mm
0	0	25.0	8.6	2.5	5.0	15.5	14.9	11.9	10	9	11 × 0.75	5.5	10.1	11.1
1	1	30.0	8.0	4.0	3.5	18.5	17.9	13.9	13	11	14 × 1	6.5	13.1	14.1
1.5	A	27.0	7.0	2.5	3.0	18.9	17.9	15.9	13	12	14 × 1	8.0	13.1	14.1
2	2	30.5	8.0	4.0	3.0	20.8	21.9	17.6	15	14	16 × 1	10.0	15.1	16.1



## NUTDRIVER FOR SLOTTED NUT

Size	Number	Torque Nm
0	700.098.001.000.000	1.0
1	701.098.002.000.000	3.0
1.5 (A)	701.098.002.000.000	3.0
2	702.098.001.000.000	4.0

## TECHNICAL DATA

- Technical data see page 64
- Contact configuration and PCB layout see page 34

<sup>1</sup> Based on cable with one braided shield

1 2 3 4 5 6 7 8 9 10 11 12 13 14 15 16 17 18 19

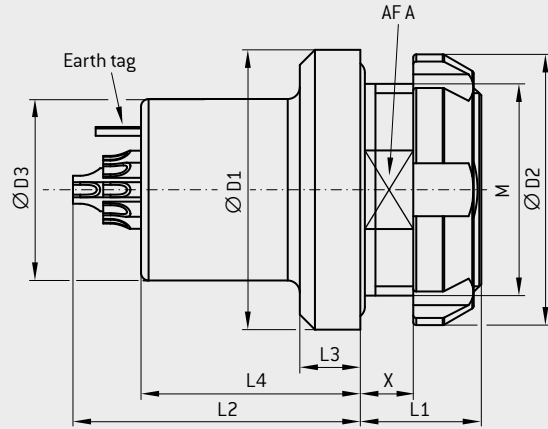
G | 6 | Y | R | - | P | 0 | - | 0 | 0 | 0 | 0

# RECEPTACLE

## STYLE 8

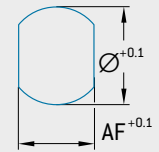


For installation from rear of panel – low profile outside the device



Size		L1 mm	L2 max. mm	L3 mm	L4 mm	X max. mm	D1 mm	D2 mm	D3 mm	AF A mm	M mm	Panel cut out	
												AF mm	Ø mm
0	0	6.5	15.5	3.0	11.5	3.0	15.5	15.0	10.0	10	11 × 0.75	10.1	11.1
1	1	8.0	19.0	4.0	14.5	3.5	18.5	17.9	12.0	13	14 × 1	13.1	14.1
1.5	A	7.0	17.7	2.5	12.5	3.0	18.9	17.9	14.0	13	14 × 1	13.1	14.1
2	2	8.0	21.5	4.0	15.0	3.0	20.8	21.9	14.5	15	16 × 1	15.1	16.1
3	3	11.0	22.5	4.0	15.5	5.5	26.0	25.0	18.0	18	20 × 1	18.1	20.1
4.5 <sup>1</sup>	E	13.0	19.0	5.0	13.0	6.5	39.0	37.5	27.0	27	30 × 1.5	27.1	30.1

Panel cut out



### TECHNICAL DATA

- Technical data see page 64
- Contact configuration and PCB layout see page 34

<sup>1</sup> No color coding available

### NUTDRIVER FOR SLOTTED NUT

Size	Number	Torque Nm
0	700.098.001.000.000	1.0
1	701.098.002.000.000	3.0
1.5 (A)	701.098.002.000.000	3.0
2	702.098.001.000.000	4.0
3	703.098.001.000.000	5.5
4.5 (E)	745.645.098.001.000	10.0

1 2 3 4 5 6 7 8 9 10 11 12 13 14 15 16 17 18 19

G 8 Y R - P 0 - 0 0 0 L

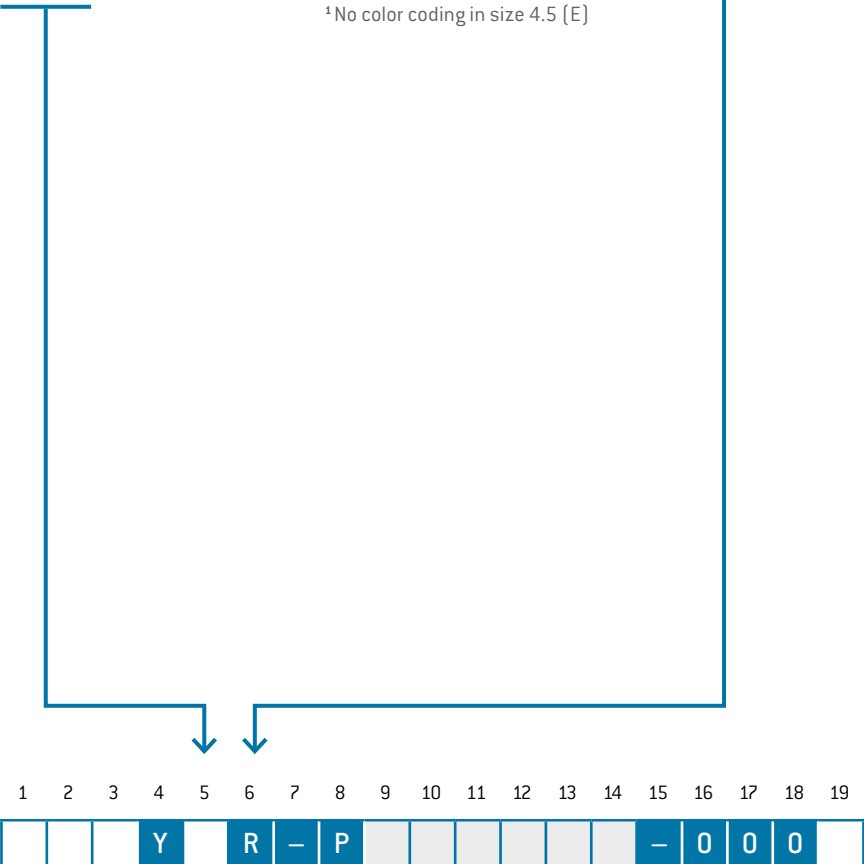
# CODING POSSIBILITIES

# HOUSING MATERIAL

	Plug front view	Color coding <sup>1</sup>	Color
A			Light brown
B			Red
C			Blue
D			Green

	Housing material
R	Aluminium EN-6023 Ruthenium over electroless Ni

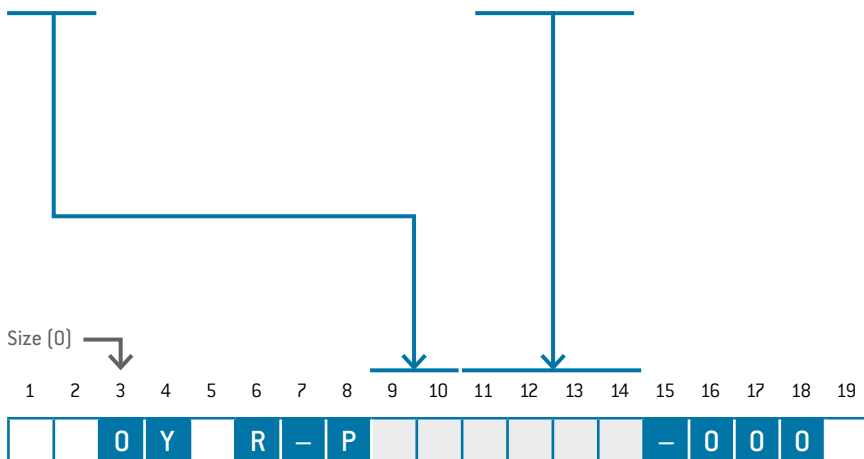
<sup>1</sup>No color coding in size 4.5 (E)



# CONTACT CONFIGURATIONS

## SIZE 0 (2 POS. – 5 POS.)

Number of contacts <sup>1</sup>	Available connector styles				Contact type <sup>2</sup>		Part number key				Contact diameter mm	Single contact nominal current <sup>3</sup> A	Test voltage <sup>4</sup> Contact to contact kVeff	Nominal voltage <sup>5</sup> kVrms	Termination		Termination cross section <sup>6</sup>	
						Termination									mm	AWG	mm <sup>2</sup>	
0	2	G8	–	–	K1	Socket	Solder <sup>6</sup>	W	J	G	0	0.9	10	1.200	0.400	0.85	22	0.38
		S1	A1	–	–	Pin	Solder <sup>6</sup>	X	J	G	0							
		–	–	GW	–		Print	V	J	0	0							
0	3	–	GK	G6	K1	Socket	Solder <sup>6</sup>	W	J	G	0	0.9	10	1.200	0.400	0.85	22	0.38
		–	–	–	–		Print	U	J	0	0							
		S1	A1	–	–	Pin	Solder <sup>6</sup>	X	J	G	0							
		–	–	GW	–		Print	V	J	0	0							
0	4	G8	GK	G6	K1	Socket	Solder <sup>6</sup>	W	F	G	0	0.7	7	0.900	0.300	0.85	22	0.38
		–	–	–	–		Print	U	F	0	0							
		S1	A1	–	–	Pin	Solder <sup>6</sup>	X	F	G	0							
		–	–	GW	–		Print	V	F	0	0							
0	5	–	–	–	K1	Socket	Solder <sup>6</sup>	W	F	G	0	0.7	7	0.900	0.300	0.85	22	0.38
		G8	–	–	–		Print	U	F	0	0							
		–	A1	–	–	Pin	Solder <sup>6</sup>	X	F	G	0							
		–	–	GW	–		Print	V	F	0	0							

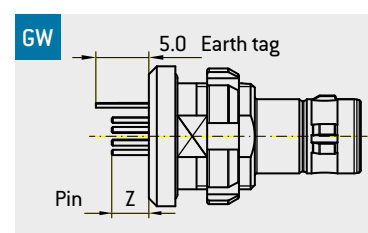
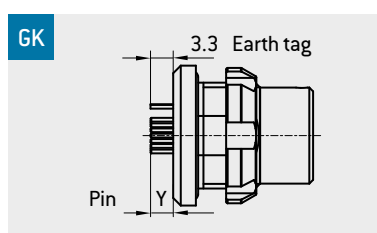
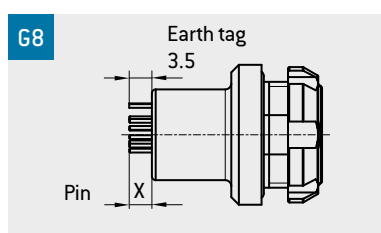


<sup>1</sup> Other contact configurations on request  
<sup>2</sup> Other termination or reverse gender on request  
<sup>3</sup> Derating factor see page 69  
<sup>4</sup> SAE AS 13441:2004 method 3001.1  
<sup>5</sup> Max. operating voltage at NN (sea level) acc. to SAE AS 13441:2004 method 3001.1  
 Further information on page 70  
<sup>6</sup> Other cross sections on request

# PCB LAYOUT PRINT CONTACTS SIZE 0

View on termination area		Data transmission protocols	Number of contacts		Length earth tag and pin		
Pin side	Socket side				G8 Pin X mm	GK Pin Y mm	GW Pin Z mm
		—	2 pos.		—	—	3.5
		—	3 pos.		3.5	3.5	3.5
		—	4 pos.		3.5	3.5	3
		—	5 pos.		3.5	—	3

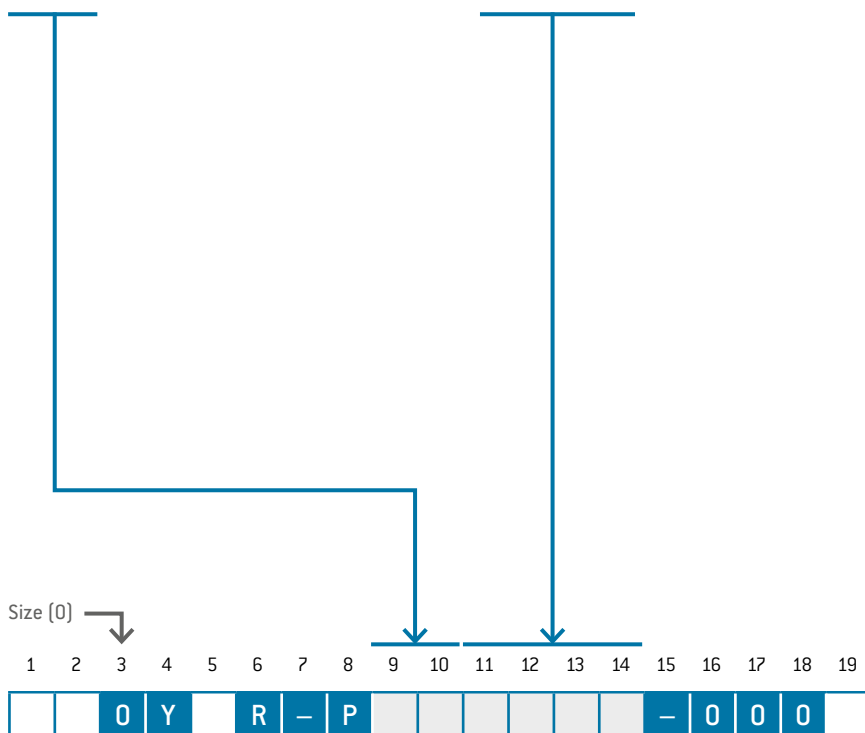
## LENGTH EARTH TAG AND PIN



# CONTACT CONFIGURATIONS

## SIZE 0 (7 POS. – 10 POS.)

Number of contacts <sup>1</sup>	Available connector styles				Contact type <sup>2</sup>		Part number key				Contact diameter mm	Single contact nominal current <sup>3</sup> A	Test voltage <sup>4</sup> Contact to contact kVeff	Nominal voltage <sup>5</sup> kVrms	Termination		Termination cross section <sup>6</sup>	
						Termination									mm	AWG	mm <sup>2</sup>	
0	7	G8	GK	G6	K1	Socket	Solder <sup>6</sup>	W	C	D	0	0.5	5	0.900	0.300	0.65	26	0.15
				–	–		Print	U	C	D	0					0.5	–	–
	S1	A1	GW	–	Pin	Solder <sup>6</sup>	X	C	D	0	0.65					26	0.15	
						Print	V	C	0	0	0.5					–	–	
0	9	G8	GK	G6	K1	Socket	Solder <sup>6</sup>	W	C	D	0	0.5	5	0.600	0.200	0.65	26	0.15
				–	–		Print	U	C	0	0					0.5	–	–
		S1	A1	GW	–	Pin	Solder <sup>6</sup>	X	C	D	0					0.65	26	0.15
							Print	V	C	0	0					0.5	–	–
1	0	G8	GK	G6	K1	Socket	Solder <sup>6</sup>	W	C	D	0	0.5	5	0.600	0.200	0.65	26	0.15
				–	–		Print	U	C	0	0					0.5	–	–
		S1	A1	GW	–	Pin	Solder <sup>6</sup>	X	C	D	0					0.65	26	0.15
							Print	V	C	0	0					0.5	–	–



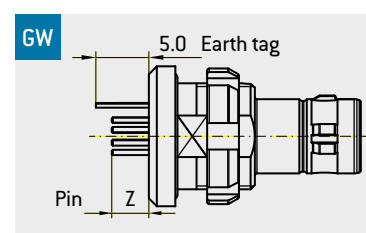
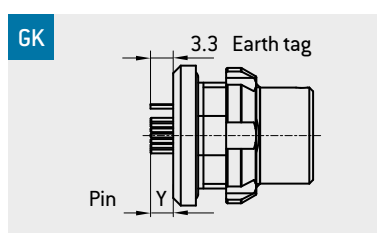
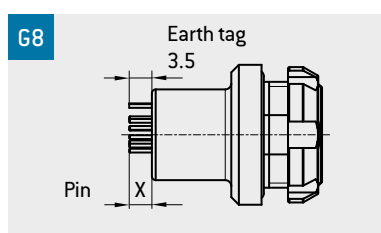
<sup>1</sup> Other contact configurations on request  
<sup>2</sup> Other termination or reverse gender on request  
<sup>3</sup> Derating factor see page 69  
<sup>4</sup> SAE AS 13441:2004 method 3001.1  
<sup>5</sup> Max. operating voltage at NN (sea level) acc. to SAE AS 13441:2004 method 3001.1  
 Further information on page 70  
<sup>6</sup> Other cross sections on request



# PCB LAYOUT PRINT CONTACTS SIZE 0

View on termination area		Data transmission protocols	Number of contacts		Length earth tag and pin		
Pin side	Socket side				G8 Pin X mm	GK Pin Y mm	GW Pin Z mm
		—	7 pos.		3.5	3.3	3.5
		—	9 pos.		3.5	3.1	3.5
		—	10 pos.		3.5	3.1	3.5

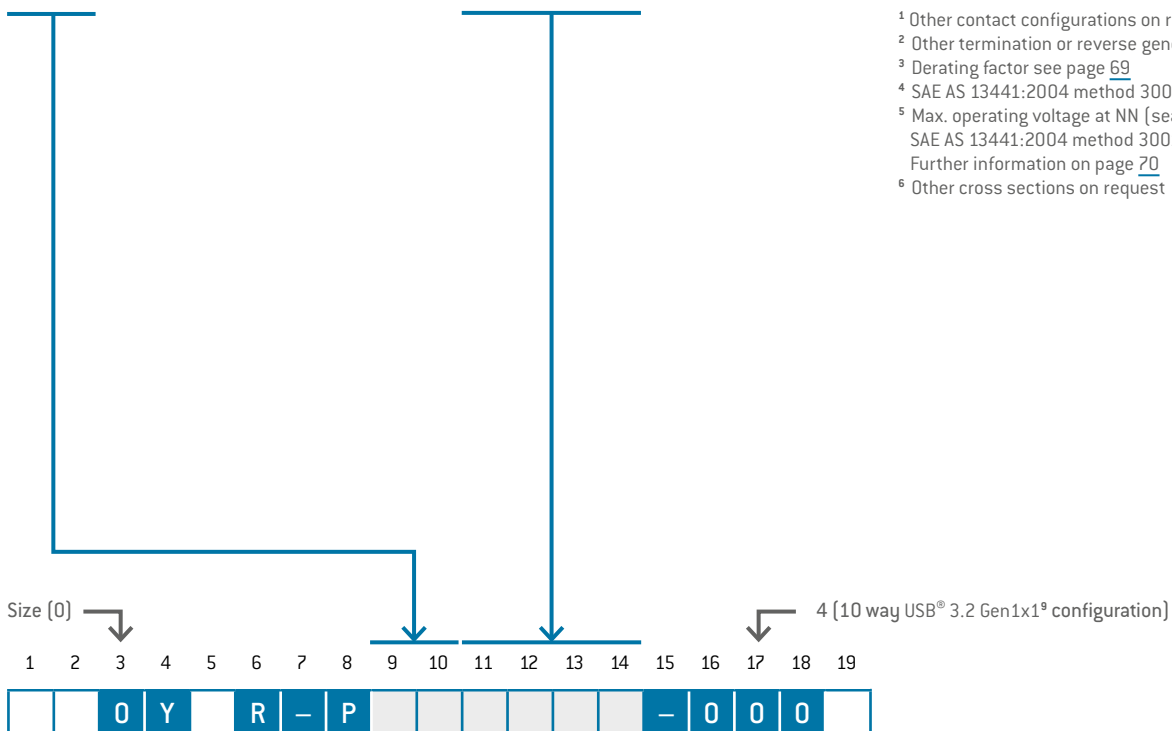
## LENGTH EARTH TAG AND PIN



# CONTACT CONFIGURATIONS

## SIZE 0 – HIGH-SPEED INSERTS

Number of contacts <sup>1</sup>		Available connector styles				Contact type <sup>2</sup>		Part number key				Contact diameter mm	Single contact nominal current <sup>3</sup> A	Test voltage <sup>4</sup> Contact to contact kVeff	Nominal voltage <sup>5</sup> kVrms	Termination		Termination cross section <sup>6</sup>	
							Termination									mm	AWG	mm <sup>2</sup>	
0	4	G8	GK	G6	K1	Socket	Solder <sup>6</sup>	W	F	G	0	0.7	0.900	0.300	0.85	22	0.38		
				–	–		Print	U	F	0	0				0.5	–	–		
		S1	A1	GW	–	Pin	Solder <sup>6</sup>	X	F	G	0				0.85	22	0.38		
							Print	V	F	0	0				0.5	–	–		
U	4	S1	A1	GW	–	Pin	Solder <sup>6</sup>	X	F	G	0	0.7	0.900	0.300	0.85	22	0.38		
							Print	V	F	0	0				0.5	–	–		
0	4	G8	GK	G6	K1	Socket	Solder <sup>6</sup>	W	F	G	0	0.7	0.900	0.300	0.85	22	0.38		
				–	–		Print	U	F	0	0				0.5	–	–		
1	0	–	–	G6	K1	Socket	Solder <sup>6</sup>	W	M	M	0	6 × 0.3 4 × 0.5	0.600	0.200	0.45	28	0.08		
				–	–		Print	X	M	M	0				0.7	24	0.25		
–	–	S1	A1	–	–	Pin	Solder <sup>6</sup>	X	M	M	0	6 × 0.3 4 × 0.5	0.600	0.200	0.45	28	0.08		
							Print	X	M	M	0				0.7	24	0.25		



<sup>1</sup> Other contact configurations on request  
<sup>2</sup> Other termination or reverse gender on request  
<sup>3</sup> Derating factor see page 69  
<sup>4</sup> SAE AS 13441:2004 method 3001.1  
<sup>5</sup> Max. operating voltage at NN [sea level] acc. to SAE AS 13441:2004 method 3001.1  
 Further information on page 70  
<sup>6</sup> Other cross sections on request

# PCB LAYOUT PRINT CONTACTS SIZE 0

View on termination area		Data transmission protocols	Number of contacts		Length earth tag and pin		
Pin side	Socket side				G8 Pin X mm	GK Pin Y mm	GW Pin Z mm
		Ethernet Type CAT 5 <sup>7</sup> up to 100 Mbit	High-speed 4 pos.		3.5	3.5	3
		USB <sup>8</sup> 2.0 <sup>9</sup>	High-speed 4 pos.		3.5	3.5	3
		USB <sup>8</sup> 3.2 Gen 1x1 <sup>9</sup>					

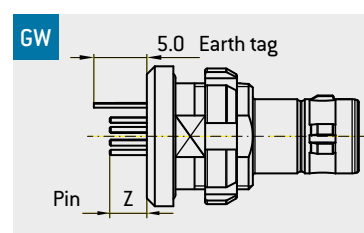
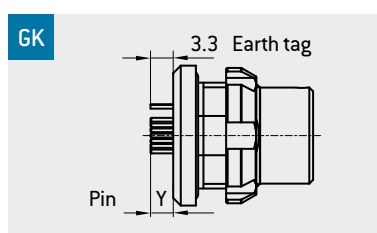
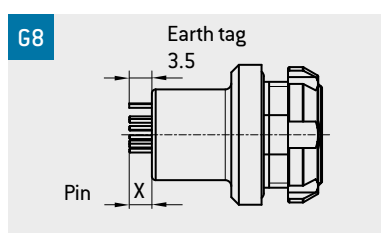
<sup>7</sup> ISO/IEC 11801:2017. Further information on request

<sup>8</sup> Acc. Universal Serial Bus 3.2 Spec.:2017

Further information on request

<sup>9</sup> For data transmission protocols, please refer to page 2

## LENGTH EARTH TAG AND PIN

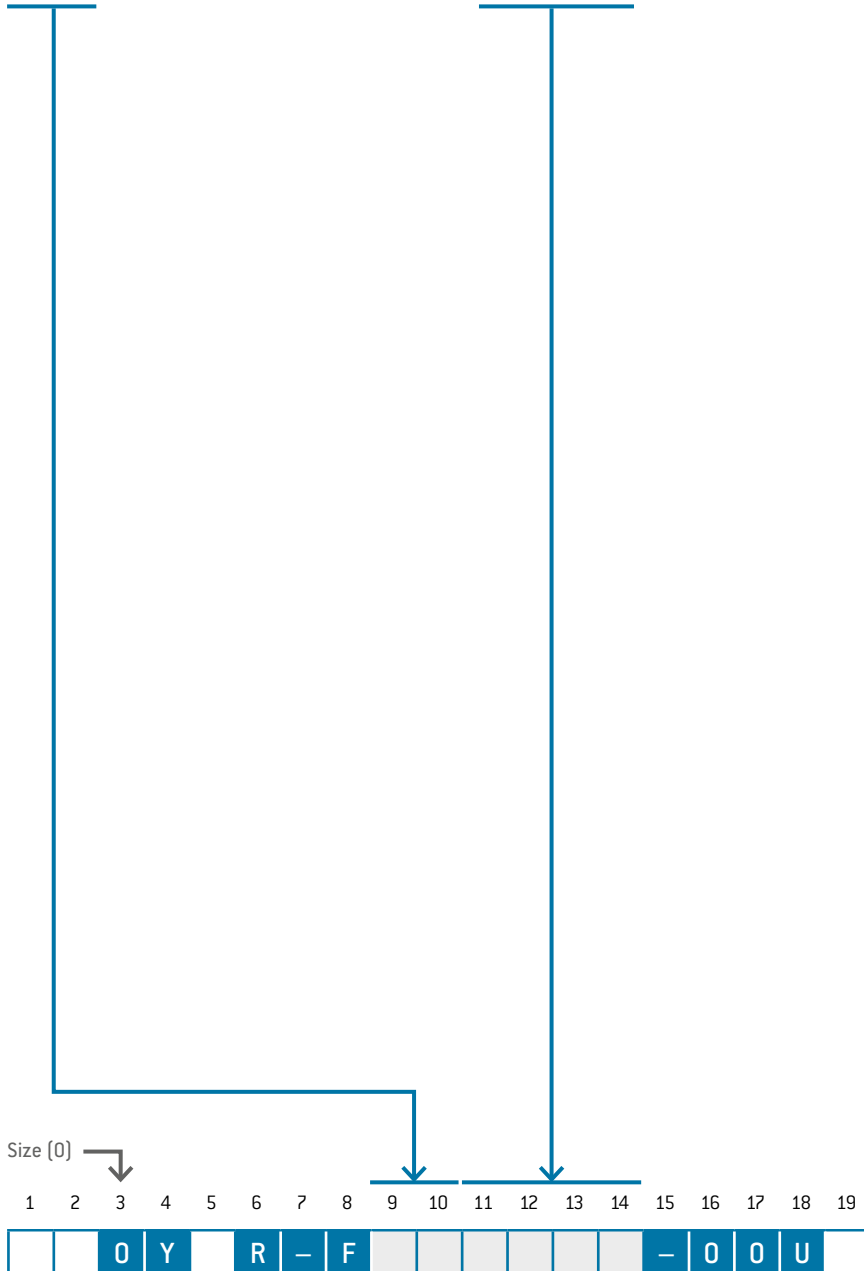


# CONTACT CONFIGURATIONS



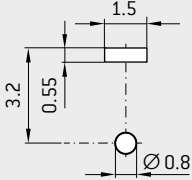
## SIZE 0 – COAX (50 Ω, 1.9 GHz)

Number of contacts		Available connector styles				Contact type		Part number key				Contact diameter mm	Single contact nominal current A	Test voltage <sup>1</sup> Contact to contact kVeff	Nominal voltage <sup>2</sup> kVrms	Termination		Termination cross section	
							Termination									mm	AWG	mm <sup>2</sup>	
K	1	G8	GK	G6	K1	Pin	Solder	X	J	H	0	0.9	10	1.800	0.600	1.1	20	0.5	
				–	–		Print	V	J	0	0					0.7	–	–	
		S1	A1	–	–	Socket	Solder	W	J	H	0					10	1.1	20	0.5

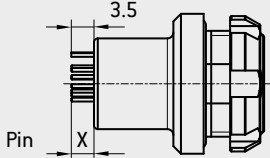
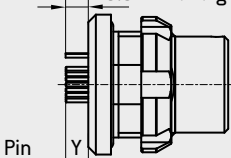
<sup>1</sup> SAE AS 13441:2004 method 3001.1  
<sup>2</sup> Max. operating voltage at NN (sea level) acc. to SAE AS 13441:2004 method 3001.1  
 Further information on page [70](#)



# PCB LAYOUT PRINT CONTACTS SIZE 0 – COAX

View on termination area		Data transmission protocols	Number of contacts	Length earth tag and pin					
Pin side	Socket side			G8 Pin X mm	GK Pin Y mm				
		50 Ohm Coax 1.9 GHz @ VSWR 1.25 (Cable RG 174)	1 pos.		<table border="1"> <tr> <td>G8 Pin X mm</td> <td>GK Pin Y mm</td> </tr> <tr> <td>3.5</td> <td>3.3</td> </tr> </table>	G8 Pin X mm	GK Pin Y mm	3.5	3.3
G8 Pin X mm	GK Pin Y mm								
3.5	3.3								

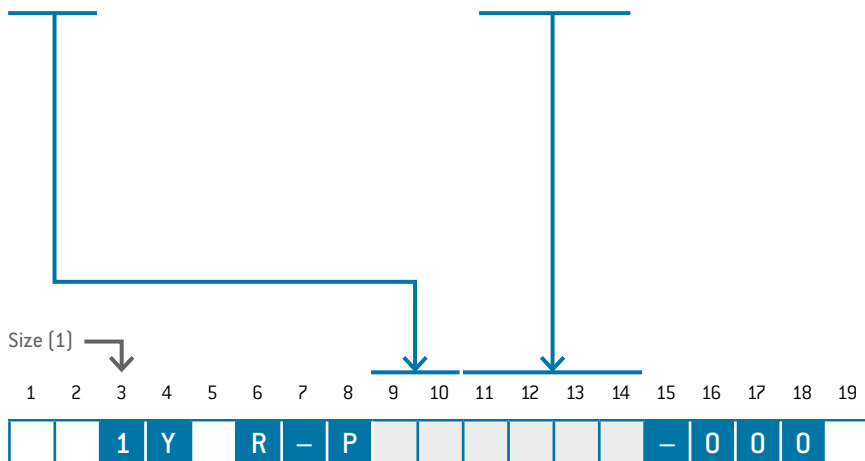
### LENGTH EARTH TAG AND PIN

<b>G8</b>	 <p>Earth tag 3.5</p> <p>Pin X</p>	<b>GK</b>	 <p>3.3 Earth tag</p> <p>Pin Y</p>
-----------	--	-----------	---

# CONTACT CONFIGURATIONS

## SIZE 1 (5 POS. – 16 POS.)

Number of contacts <sup>1</sup>		Available connector styles				Contact type <sup>2</sup>		Part number key				Contact diameter mm	Single contact nominal current <sup>3</sup> A	Test voltage <sup>4</sup> Contact to contact kVeff	Nominal voltage <sup>5</sup> kVrms	Termination		Termination cross section <sup>6</sup>	
							Termination									mm	AWG	mm <sup>2</sup>	
0	5	G8	GK	G6	K1	Socket	Solder <sup>6</sup>	W	J	G	0	0.9	10	1.350	0.450	0.85	22	0.38	
				–	–		Print	U	J	0	0					0.7	–	–	
		S1	A1	–	–	Pin	Solder <sup>6</sup>	X	J	G	0					10	0.85	22	0.38
0	8	G8	GK	G6	K1	Socket	Solder <sup>6</sup>	W	F	G	0	0.7	7	1.000	0.333	0.85	22	0.38	
				–	–		Print	U	F	0	0					0.5	–	–	
		S1	A1	–	–	Pin	Solder <sup>6</sup>	X	F	G	0					7	0.85	22	0.38
1	4	G8	GK	G6	K1	Socket	Solder <sup>6</sup>	W	C	D	0	0.5	5	0.600	0.200	0.65	26	0.15	
				–	–		Print	U	C	0	0					0.5	–	–	
		S1	A1	–	–	Pin	Solder <sup>6</sup>	X	C	D	0					5	0.600	0.200	0.65
1	6	G8	GK	G6	K1	Socket	Solder <sup>6</sup>	W	C	D	0	0.5	5	0.600	0.200	0.65	26	0.15	
				–	–		Print	U	C	0	0					0.5	–	–	
		S1	A1	–	–	Pin	Solder <sup>6</sup>	X	C	D	0					5	0.600	0.200	0.65



<sup>1</sup> Other contact configurations on request  
<sup>2</sup> Other termination or reverse gender on request  
<sup>3</sup> Derating factor see page 69  
<sup>4</sup> SAE AS 13441:2004 method 3001.1  
<sup>5</sup> Max. operating voltage at NN [sea level] acc. to SAE AS 13441:2004 method 3001.1  
 Further information on page 70  
<sup>6</sup> Other cross sections on request

# PCB LAYOUT PRINT CONTACTS SIZE 1

View on termination area		Data transmission protocols	Number of contacts		Length earth tag and pin	
Pin side	Socket side				G8 Pin X mm	GK Pin Y mm
		—	5 pos.		3.5	3.0
		—	8 pos.		3.5	3.0
		—	14 pos.		3.0	3.0
		—	16 pos.		3.0	3.0

## LENGTH EARTH TAG AND PIN

<b>G8</b>	<p>Earth tag 3.0</p> <p>Pin X</p>	<b>GK</b>	<p>3.0 Earth tag</p> <p>Pin Y</p>
-----------	---------------------------------------	-----------	-----------------------------------



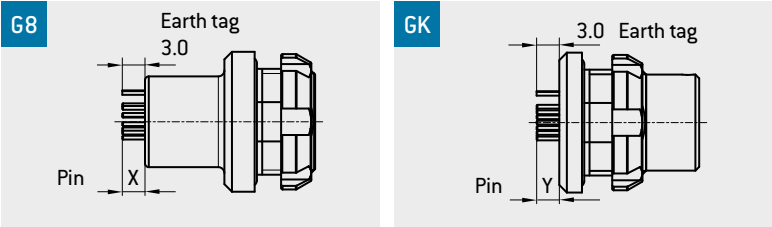


# PCB LAYOUT PRINT CONTACTS SIZE 1

View on termination area		Data transmission protocols	Number of contacts		Length earth tag and pin	
Pin side	Socket side				G8 Pin X mm	GK Pin Y mm
		Ethernet Type CAT 5 <sup>7</sup> up to 100 Mbit	High-speed 4 pos.		3.5	3.0
		Ethernet Type CAT 5 <sup>7</sup> up to 1 Gbit	High-speed 8 pos.		3.5	3.0

<sup>7</sup> ISO/IEC 11801:2017. Further information on request

### LENGTH EARTH TAG AND PIN





# PCB LAYOUT PRINT CONTACTS SIZE 1.5

View on termination area		Data transmission protocols	Number of contacts	Diagram	Length earth tag and pin	
Pin side	Socket side				G8 Pin X mm	GK Pin Y mm
		—	10 pos.		3.2	3.0
		—	19 pos.		3.2	3.0
		Ethernet Type CAT 5 <sup>8</sup> up to 1 Gbit	High-speed 8 pos.		3.2	3.0

### HIGH-SPEED INSERTS

<sup>7</sup> ISO/IEC 11801:2017. Further information on request

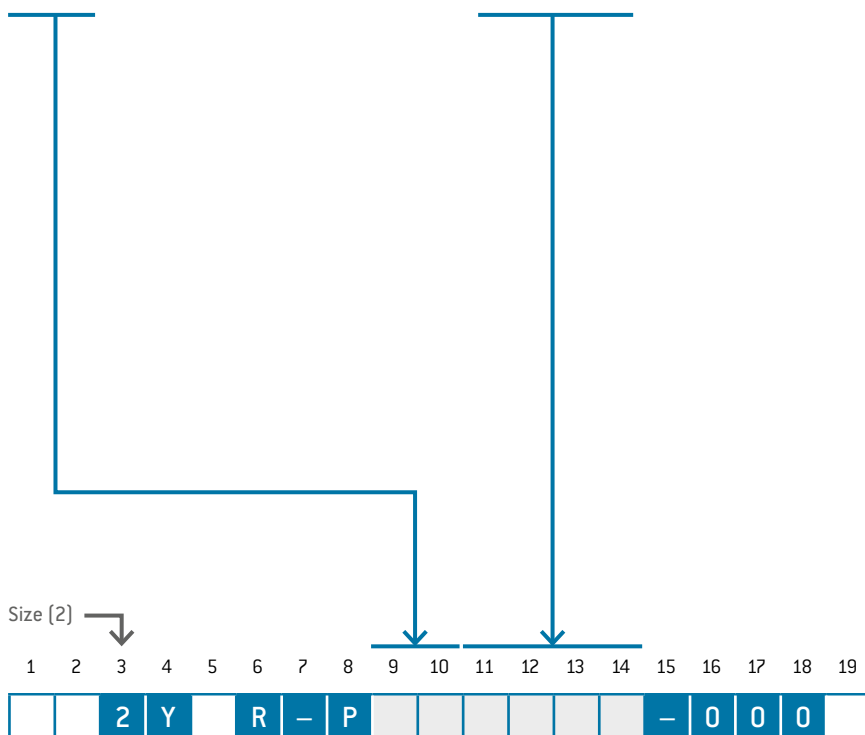
### LENGTH EARTH TAG AND PIN

<b>G8</b>		<b>GK</b>	
-----------	--	-----------	--

# CONTACT CONFIGURATIONS

## SIZE 2

Number of contacts <sup>1</sup>		Available connector styles				Contact type <sup>2</sup>		Part number key				Contact diameter mm	Single contact nominal current <sup>3</sup> A	Test voltage <sup>4</sup> Contact to contact kVeff	Nominal voltage <sup>5</sup> kVrms	Termination		Termination cross section <sup>6</sup>	
							Termination									mm	AWG	mm <sup>2</sup>	
0	6	G8	GK	–	K1	Socket	Solder <sup>6</sup>	W	P	H	0	1.3	14	1.500	0.500	1.1	20	0.5	
				–	–		Print	U	P	0	0					0.7	–	–	
		S1	A1	–	–	Pin	Solder <sup>6</sup>	X	P	H	0					1.1	20	0.5	
1	9	G8	GK	G6	K1	Socket	Solder <sup>6</sup>	W	F	G	0	0.7	7	1.000	0.333	0.85	22	0.38	
				–	–		Print	U	F	0	0					0.5	–	–	
		S1	A1	–	–	Pin	Solder <sup>6</sup>	X	F	G	0					0.85	22	0.38	
2	6	G8	GK	G6	K1	Socket	Solder <sup>6</sup>	W	C	D	0	0.5	5	0.900	0.300	0.65	26	0.15	
				–	–		Print	U	C	0	0					0.5	–	–	
		S1	A1	–	–	Pin	Solder <sup>6</sup>	X	C	D	0					0.65	26	0.15	



<sup>1</sup> Other contact configurations on request  
<sup>2</sup> Other termination or reverse gender on request  
<sup>3</sup> Derating factor see page 69  
<sup>4</sup> SAE AS 13441:2004 method 3001.1  
<sup>5</sup> Max. operating voltage at NN (sea level) acc. to SAE AS 13441:2004 method 3001.1  
 Further information on page 70  
<sup>6</sup> Other cross sections on request

# PCB LAYOUT PRINT CONTACTS SIZE 2

View on termination area		Data transmission protocols	Number of contacts		Length earth tag and pin	
Pin side	Socket side				G8 Pin X mm	GK Pin Y mm
		—	6 pos.		4.5	3.0
		—	19 pos.		5.5	3.0
		—	26 pos.		5.5	3.0

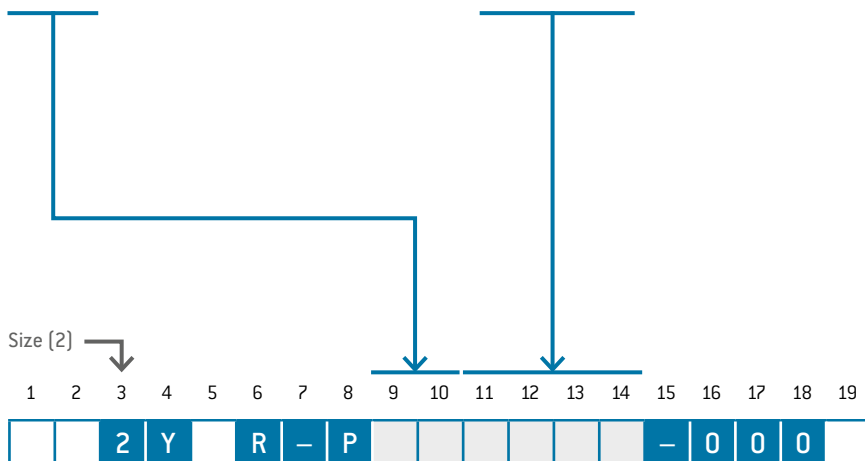
## LENGTH EARTH TAG AND PIN

<b>G8</b>	<p>Earth tag 5.0</p> <p>Pin X</p>	<b>GK</b>	<p>3.0 Earth tag</p> <p>Pin Y</p>
-----------	---------------------------------------	-----------	-----------------------------------

# CONTACT CONFIGURATIONS

## SIZE 2 – HIGH-SPEED INSERTS

Number of contacts <sup>1</sup>		Available connector styles				Contact type <sup>2</sup>		Part number key				Contact diameter mm	Single contact nominal current <sup>3</sup> A	Test voltage <sup>4</sup> Contact to contact kVeff	Nominal voltage <sup>5</sup> kVrms	Termination		Termination cross section <sup>6</sup>	
							Termination									mm	AWG	mm <sup>2</sup>	
0	4	G8	GK	G6	K1	Socket	Solder <sup>6</sup>	W	P	H	0	1.3	14	1.950	0.650	1.1	20	0.5	
				–	–		Print	U	P	0	0					0.7	–	–	
		S1	A1	–	–	Pin	Solder <sup>6</sup>	X	P	H	0					14	1.1	20	0.5
D	8	G8	GK	G6	K1	Socket	Solder <sup>6</sup>	W	J	G	0	0.9	10	1.500	0.500	0.85	22	0.38	
				–	–		Print	U	J	0	0					0.7	–	–	
		S1	A1	–	–	Pin	Solder <sup>6</sup>	X	J	G	0					10	0.85	22	0.38
D	M	G8	GK	–	K1	Socket	Solder <sup>6</sup>	W	F	G	0	0.7	7	1.200	0.400	0.85	22	0.38	
				–	–		Print	U	F	0	0					0.5	–	–	
		S1	A1	–	–	Pin	Solder <sup>6</sup>	X	F	G	0					7	0.85	22	0.38
1	6	G8	GK	G6	K1	Socket	Solder <sup>6</sup>	W	C	D	0	0.5	5	1.200	0.400	0.65	26	0.15	
				–	–		Print	U	C	0	0					0.5	–	–	
		S1	A1	–	–	Pin	Solder <sup>6</sup>	X	C	D	0					5	0.65	26	0.15



<sup>1</sup> Other contact configurations on request  
<sup>2</sup> Other termination or reverse gender on request  
<sup>3</sup> Derating factor see page 69  
<sup>4</sup> SAE AS 13441:2004 method 3001.1  
<sup>5</sup> Max. operating voltage at NN (sea level) acc. to SAE AS 13441:2004 method 3001.1  
 Further information on page 70  
<sup>6</sup> Other cross sections on request

# PCB LAYOUT PRINT CONTACTS SIZE 2

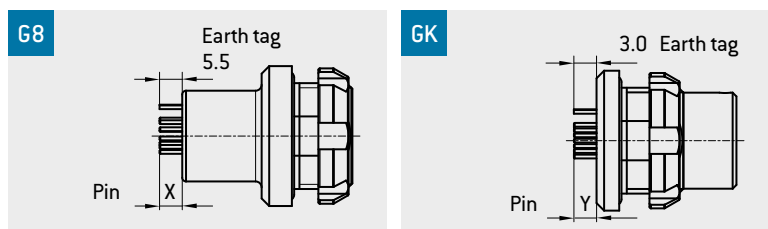
View on termination area		Data transmission protocols	Number of contacts	Length earth tag and pin	
Pin side	Socket side			G8 Pin X mm	GK Pin Y mm
		Ethernet Type CAT 6 <sub>A</sub> <sup>7</sup> up to 100 Mbit	High-speed 4 pos.		4.5   3.0
		Ethernet Class E <sub>A</sub> <sup>7</sup> Channel up to 80 m 10 Gbit	High-speed 8 pos.		5.0   3.5
		Ethernet Type CAT 5 1 Gbit USB <sup>®</sup> 2.0 <sup>7,8,9</sup>	High-speed 12 pos.		5.5   3.0
		HDMI <sup>® 9</sup>	High-speed 16 pos.		5.5   3.0

<sup>7</sup> ISO/IEC 11801:2017. Further information on request

<sup>8</sup> Acc. Universal Serial Bus 3.2 Spec.:2017  
Further information on request

<sup>9</sup> For data transmission protocols, please refer to page 2

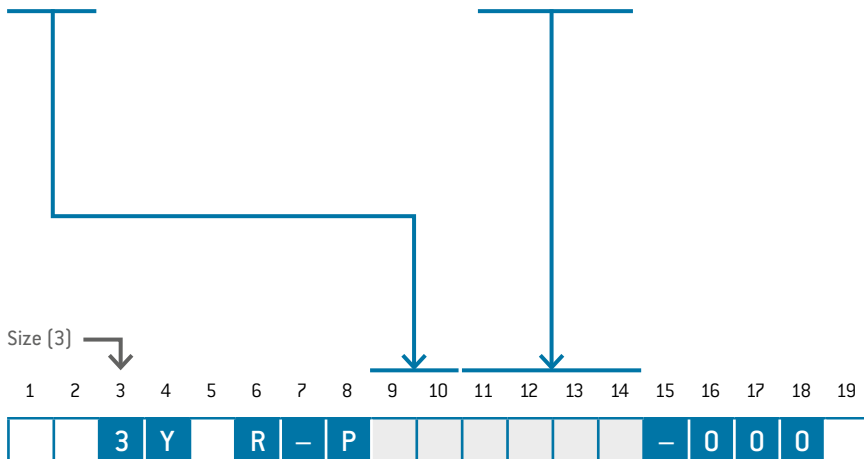
## LENGTH EARTH TAG AND PIN



# CONTACT CONFIGURATIONS

## SIZE 3

Number of contacts <sup>1</sup>		Available connector styles			Contact type <sup>2</sup>		Part number key				Contact diameter mm	Single contact nominal current <sup>3</sup> A	Test voltage <sup>4</sup> Contact to contact kVeff	Nominal voltage <sup>5</sup> kVrms	Termination		Termination cross section <sup>6</sup>	
						Termination									mm	AWG	mm <sup>2</sup>	
0	4	G8	-	-	K1	Socket	Solder <sup>6</sup>	W	T	S	0	2.0	22.0	1.650	0.550	2.4	14	2.5
							Print	U	T	0	0					0.7	-	-
		S1	A1	-	-	Pin	Solder <sup>6</sup>	X	T	S	0	22.0	2.4	14	2.5			
1	8	G8	-	-	K1	Socket	Solder <sup>6</sup>	W	J	G	0	0.9	10	1.350	0.450	0.85	22	0.38
							Print	U	J	0	0					0.7	-	-
		S1	A1	-	-	Pin	Solder <sup>6</sup>	X	J	G	0	10	0.85	22	0.38			
2	6	G8	-	-	K1	Socket	Solder <sup>6</sup>	W	F	G	0	0.7	7	1.000	0.333	0.85	22	0.38
							Print/	U	F	0	0					0.5	-	-
		S1	A1	-	-	Pin	Solder <sup>6</sup>	X	F	G	0	7	0.85	22	0.38			
3	7	G8	-	-	K1	Socket	Solder <sup>6</sup>	W	C	D	0	0.5	5	0.900	0.300	0.65	26	0.15
							Print	U	C	0	0					0.5	-	-
		S1	A1	-	-	Pin	Solder <sup>6</sup>	X	C	D	0	5	0.65	26	0.15			



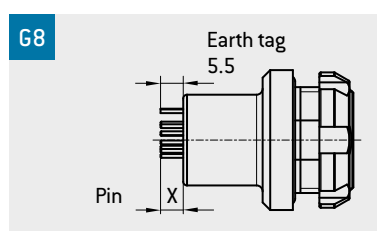
<sup>1</sup> Other contact configurations on request  
<sup>2</sup> Other termination or reverse gender on request  
<sup>3</sup> Derating factor see page 69  
<sup>4</sup> SAE AS 13441:2004 method 3001.1  
<sup>5</sup> Max. operating voltage at NN (sea level) acc. to SAE AS 13441:2004 method 3001.1  
 Further information on page 70  
<sup>6</sup> Other cross sections on request



# PCB LAYOUT PRINT CONTACTS SIZE 3

View on termination area		Data transmission protocols	Number of contacts	Length earth tag and pin G8 Pin X mm
Pin side	Socket side			
		—	4 pos. 	5.0
		—	18 pos. 	4.5
		—	26 pos. 	4.5
		—	37 pos. 	4.5

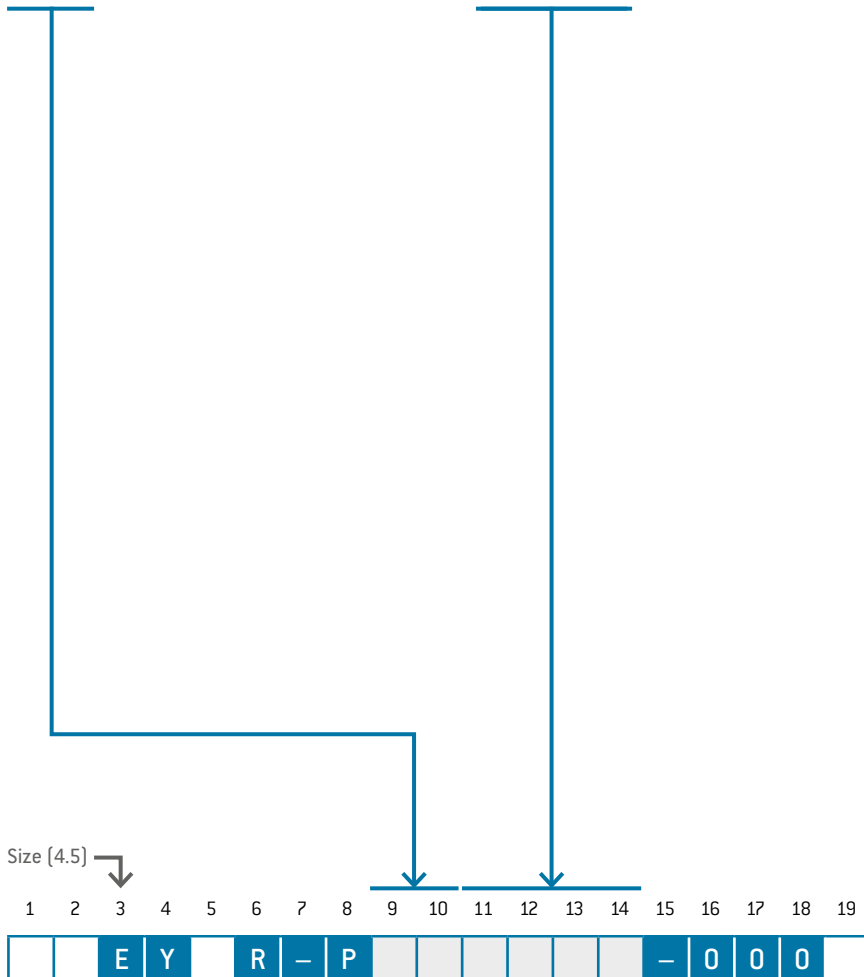
## LENGTH EARTH TAG AND PIN



# CONTACT CONFIGURATIONS

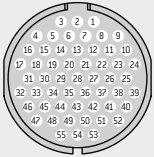
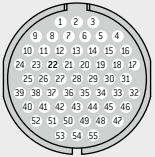
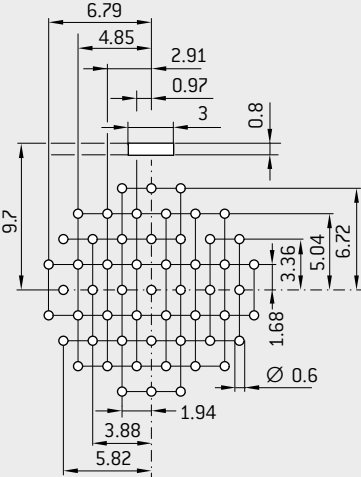
## SIZE 4.5

Number of contacts <sup>1</sup>		Available connector styles			Contact type		Part number key				Contact diameter mm	Single contact nominal current <sup>2</sup> A	Test voltage <sup>3</sup> Contact to contact kVeff	Nominal voltage <sup>4</sup> kVrms	Termination diameter		Termination cross section	
						Termination											mm	AWG
5	5	G8	-	-	-	Solder	W	F	G	0	0.7	7	1.000	0.333	0.85	22	0.38	
						Socket												
		Print	U	F	0	0												
		S1	-	-	-	Pin	Solder	X	F	G	0	7	1.000	0.333	0.85	22	0.38	

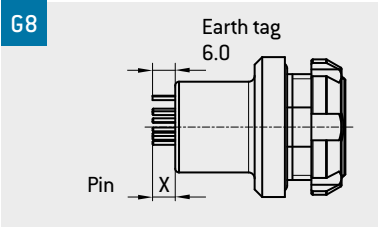


<sup>1</sup> Other contact configurations on request  
<sup>2</sup> Derating factor see page 69  
<sup>3</sup> SAE AS 13441:2004 method 3001.1  
<sup>4</sup> Max. operating voltage at NN (sea level) acc. to SAE AS 13441:2004 method 3001.1  
 Further information on page 70

# PCB LAYOUT PRINT CONTACTS SIZE 4.5

View on termination area		Data transmission protocols	Number of contacts	Length earth tag and pin
Pin side	Socket side			
		-	55 pos.	6.0
				

### LENGTH EARTH TAG AND PIN



# PROTECTION CAPS (CONDUCTIVE SILICONE)

## ENVIRONMENTAL AND ELECTRICAL CHARACTERISTICS

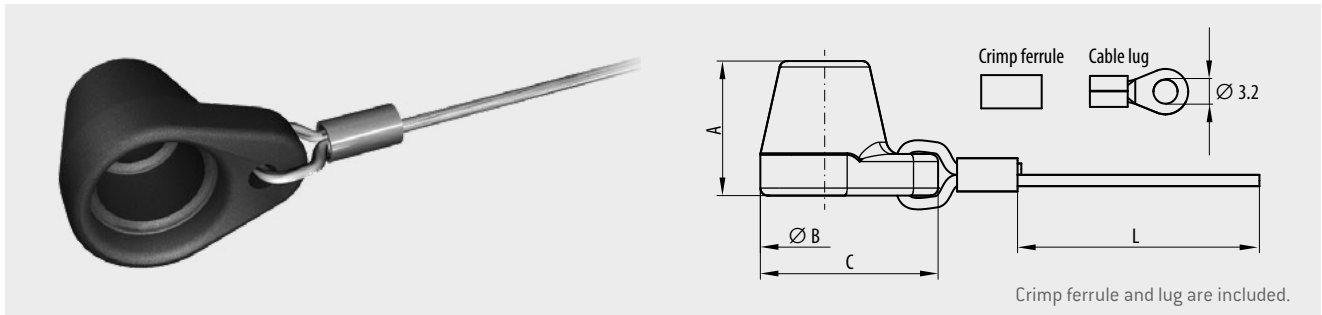
Type	Performance	Standard
Tightness	IP6K7	ISO 20653:2013
Operating temperature	-51 °C to +125 °C	IEC 60512-11-9:2002 IEC 60512-11-10:2002
Shielding effectiveness	> 55 dB	VG 95214-11

## MATERIAL

Part	Material	Flammability
Cap	Conductive silicone	UL94 (V1)
Lanyard	Aramid	UL94 (V0)
Crimp ferrule, lug	Brass, copper	

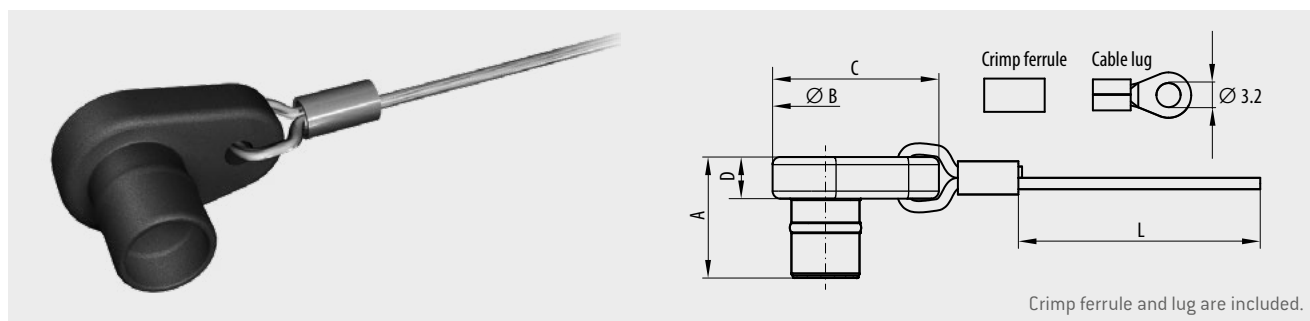
Assembly information including tools see ODU instruction 010.645.001.000.005 (available at [www.odu-connectors.com/downloads/assembly-instructions](http://www.odu-connectors.com/downloads/assembly-instructions))

## FOR PLUGS S1, A1 AND PANEL PLUG REAR MOUNT GW



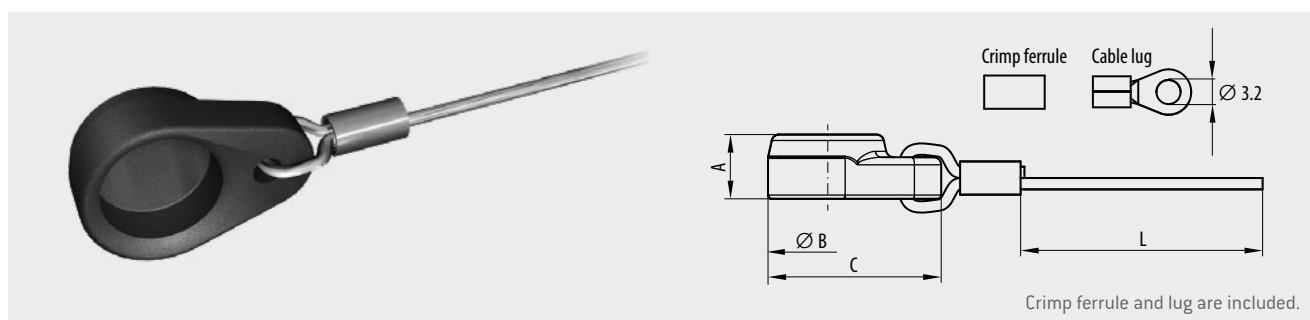
Size	Part number	Dimensions in mm			
		A	B	C	L
0	700.645.097.001.945	16.5	15.0	21.5	200
1	701.645.097.001.945	17.8	17.0	23.5	200
1.5	715.645.097.001.945	17.0	18.0	24.0	200
2	702.645.097.001.945	19.5	21.0	28.0	200
3	703.645.097.001.945	22.6	25.0	32.5	200
4.5	745.645.097.001.945	27.5	33.5	42.0	200

## FOR RECEPTACLES G6 AND G8



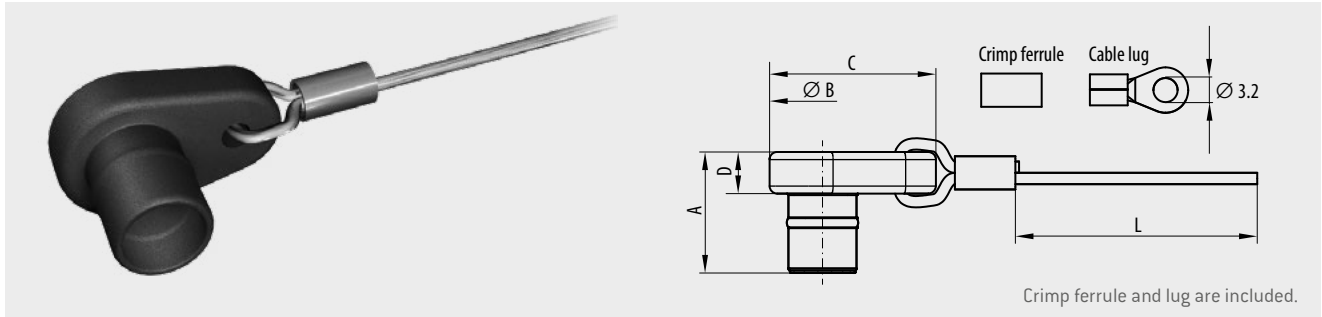
Size	Part number	Dimensions in mm				
		A	B	C	D	L
0	700.645.097.002.945	15.5	12.0	20.0	5.5	200
1	701.645.097.002.945	16.0	14.0	22.0	5.5	200
1.5	715.645.097.002.945	15.3	15.0	23.0	5.5	200
2	702.645.097.002.945	17.5	17.0	25.0	5.5	200
3	703.645.097.002.945	20.5	20.0	28.0	5.5	200
4.5	745.645.097.002.945	24.0	30.0	40.0	5.5	200

## FOR RECEPTACLE GK



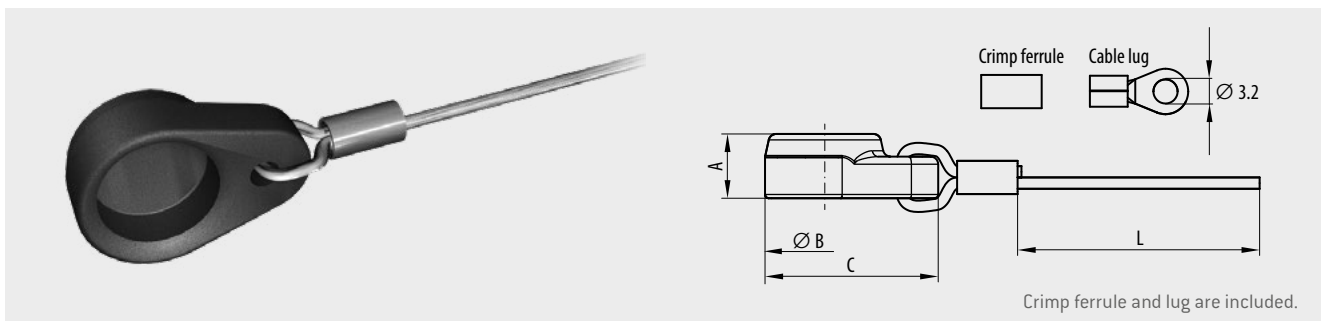
Size	Part number	Dimensions in mm			
		A	B	C	L
0	700.645.097.003.945	8.0	14.0	21.0	200
1	701.645.097.003.945	8.5	16.0	23.0	200
1.5	701.645.097.003.945	8.5	16.0	23.0	200
2	715.645.097.003.945	11.5	19.5	25.8	200
3	702.645.097.003.945	12.0	20.6	29.3	200

## FOR IN-LINE RECEPTACLE K1



### DIMENSIONS

Size	Part number	Dimensions in mm				
		A	B	C	D	L
0	700.645.097.002.945	15.5	12.0	20.0	5.5	200
1	701.645.097.002.945	16.0	14.0	22.0	5.5	200
3	703.645.097.002.945	20.5	20.0	28.0	5.5	200



### DIMENSIONS

Size	Part number	Dimensions in mm			
		A	B	C	L
1.5	715.645.097.003.945	11.5	19.5	25.8	200
2	702.645.097.003.945	12.0	20.6	29.3	200

# PROTECTION CAPS (ALUMINIUM)

## FOR RECEPTACLES AND IN-LINE RECEPTACLES

### ENVIRONMENTAL AND ELECTRICAL CHARACTERISTICS

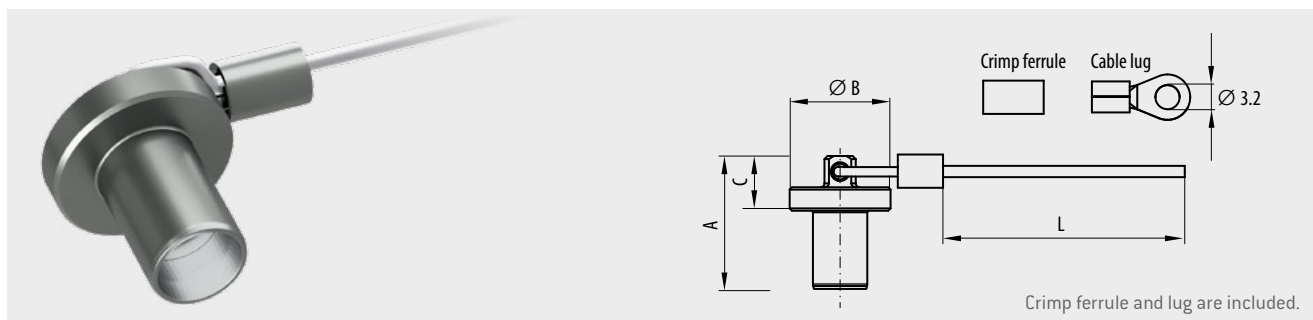
Type	Performance	Standard
Tightness <sup>1</sup>	IPX8 / 1m 120 min IPX9K	ISO 20653:2013 / MIL-STD-810G:2008 512.5 ISO 20653: 2013
Sand and dust	Blowing sand and dust IP6KX (settling dust)	MIL-STD-810G:2008 510.5 Procedure I / II ISO 20653:2013
Operating temperature	-51 °C to +125 °C	IEC 60512-11-9:2002 IEC 60512-11-10:2002
Shielding effectiveness	> 65 dB	VG 95214-11

<sup>1</sup> Information on watertightness see page 66

### MATERIAL

Part	Material	Surface	Flammability
Cap	Aluminium	Ruthenium	
Lanyard	Aramid		UL94 (V0)
Crimp ferrule	Brass	Zinc-nickel	
Cable lug	Copper	Zinc-nickel	
Washer	Brass	Zinc-nickel	

Assembly information including tools see ODU instruction 010.645.001.000.005 (available at [www.odu-connectors.com/downloads/assembly-instructions](http://www.odu-connectors.com/downloads/assembly-instructions))

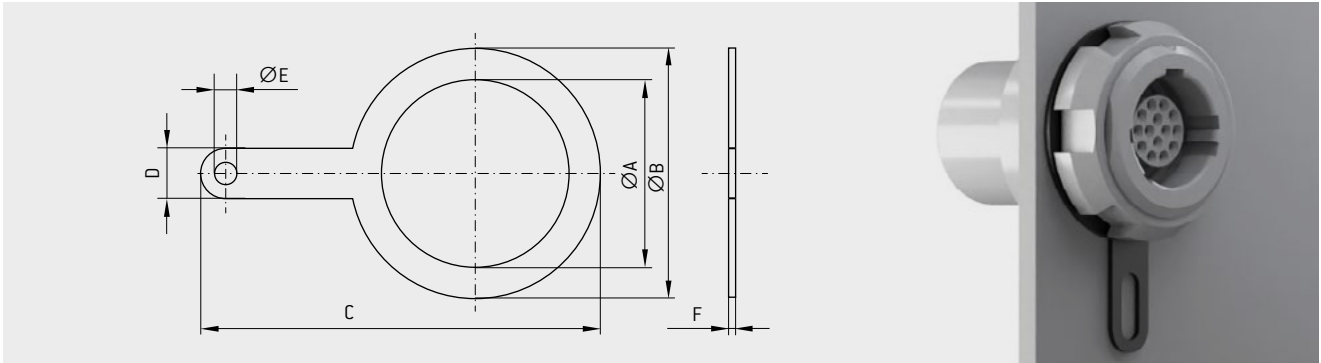


### DIMENSIONS

Size	Part number	Dimensions in mm			
		A	B	C	L
0	700.645.097.002.659	17	12.9	7	200
1	701.645.097.002.659	17.8	13.9		
1.5	715.645.097.002.659	17	15.9		
2	702.645.097.002.659	19	16.6		
3	703.645.097.002.659	22.1	20.9		

# ACCESSORIES FOR CAPS

(TO USE INSTEAD OF CABLE LUG)



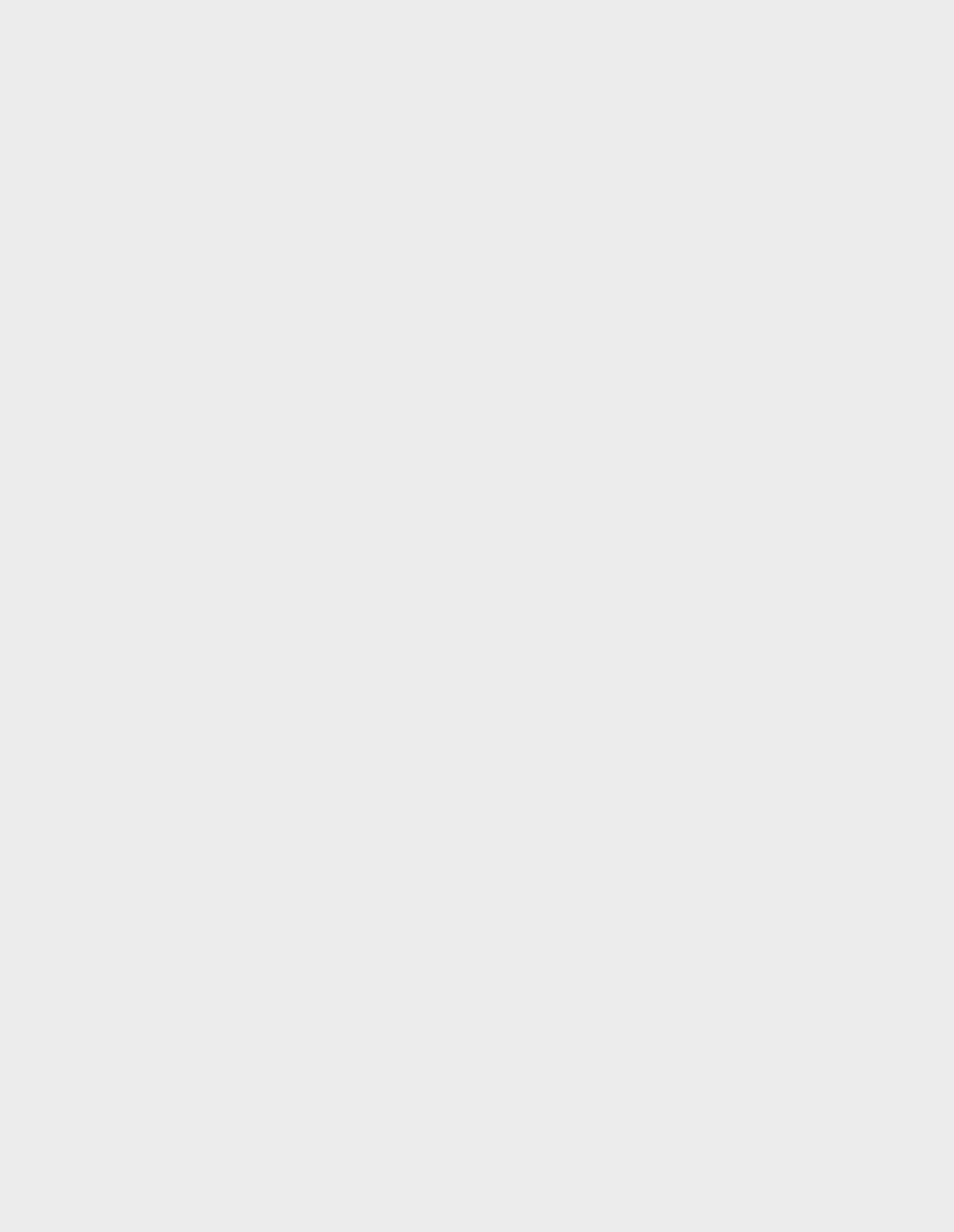
## DIMENSIONS

Size	Thread of receptacle	Part number	Dimensions in mm					
			A	B	C	D	E	F
0	11	700.140.246.326.003	11.2	15	22.5	4	2	0.5
1	14	715.140.246.326.000	14.1	18	27	4	2	0.5
1.5	14	715.140.246.326.000	14.1	18	27	4	2	0.5
2	16	721.140.246.326.000	16.2	20	32	4	1.6	0.5
3	20	722.140.246.326.000	20.2	25	39	4	1.6	0.5

Material: brass  
Surface: zinc-nickel

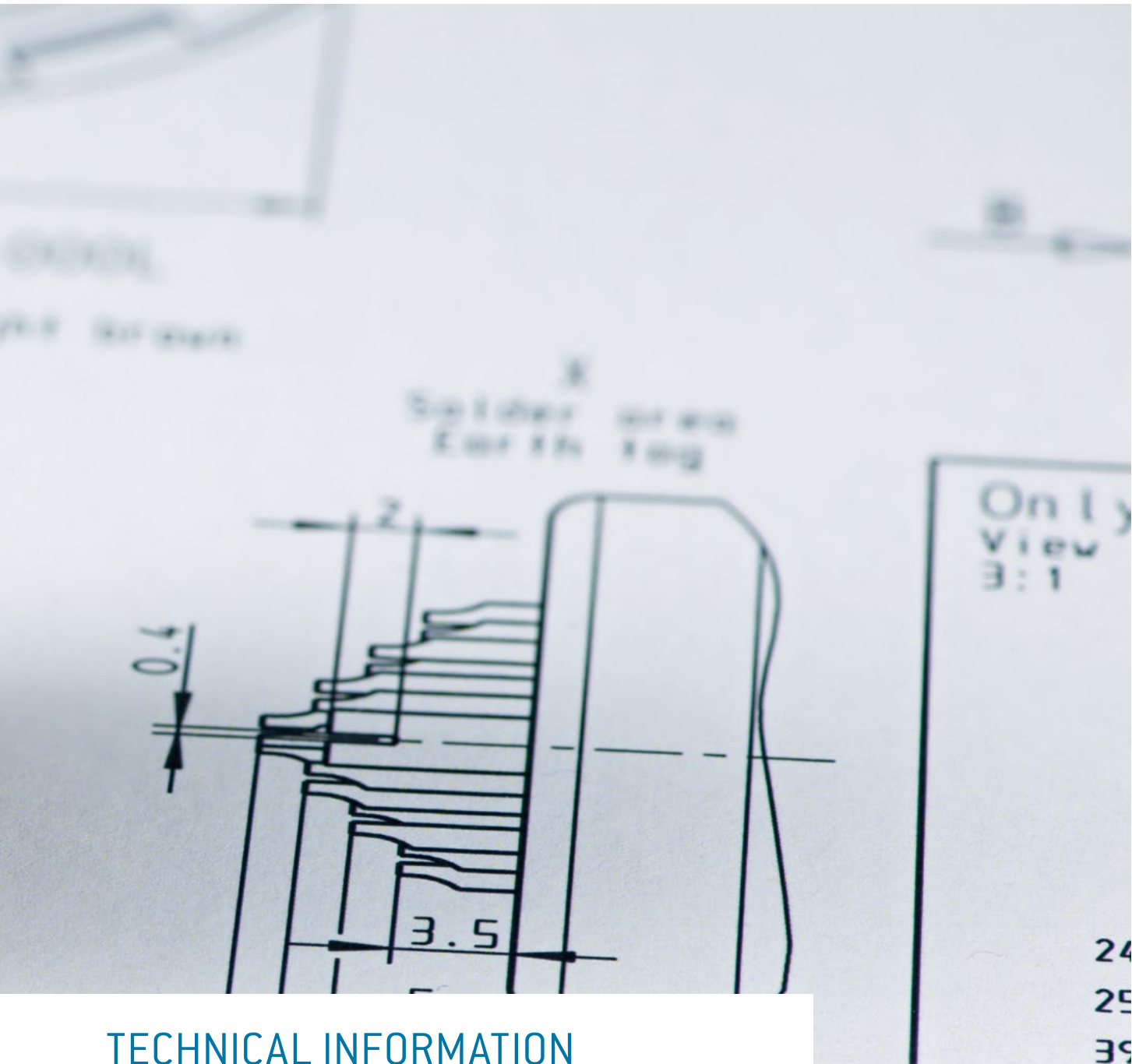


# FOR YOUR NOTES





ODU AMC®



## TECHNICAL INFORMATION

Technical data .....	<a href="#">64</a>
Protection ODU AMC® .....	<a href="#">66</a>
International protection classes .....	<a href="#">67</a>
Turned contact .....	<a href="#">68</a>
Current load of turned contacts .....	<a href="#">69</a>
Operating voltage .....	<a href="#">70</a>
Conversions /AWG .....	<a href="#">72</a>
Technical terms .....	<a href="#">73</a>

# TECHNICAL DATA

## ENVIRONMENTAL AND TESTING

Type	Performance	Standard
Tightness	IPX8 / 1m 120 min IPX9K	ISO 20653:2013 / MIL-STD-810G:2008 512.5 ISO 20653: 2013
Sand and dust	Blowing sand and dust IP6KX (settling dust)	MIL-STD-810G:2008 510.5 Procedure I / II ISO 20653:2013
Operating temperature	-51 °C up to +125 °C <sup>1</sup>	IEC 60512-11-9:2002 IEC 60512-11-10:2002
Thermal shock	-65 °C up to +150 °C	EIA 364-32-E, IEC 60068-2-14
Humidity cyclic	85 % up to 95 %, 28 °C up to 71 °C	MIL-STD-1344A Method 1002.2 Type III, IEC 60068-2-38
Low pressure (rapid decompression)	59.1 kPa to 18.8 kPa	AECTP 300, 312 Procedure III (STANAG 4370)
Low pressure	57.2 kPa, -55 °C	MIL-STD-810G:2008 500.5 IEC 60068-2-40
Icing	Rime ice 6 mm	MIL-STD-810G:2008 521.3
Corrosion resistance	96 h salt mist, 5 % salt solution, 35 °C	EIA-364-26B STANAG 4370, AECTP 300-309 MIL-STD-810G:2008 509.5
Mould growth	European fungus	IEC 60068-2-10:2005
Solar radiation		IEC 60068-2-5:2018
Chemical endurance	Several substances <sup>2</sup>	ISO 16750-5:2010-04

<sup>1</sup> Including temperature rise due to contact load

<sup>2</sup> Substances listed at ODU datasheet 009.410.021.000.000

<sup>3</sup> A11Y, GK1Y connector pair

RoHS 2011/65/EC recognized

## MECHANICAL DATA

Type	Performance	Standard
Mechanical endurance	5,000 mating cycles	IEC 60512-5-9-a EIA-364-09
Vibration		MIL-STD 1344 Method 2005 EIA-364-28
Shock	100 g amplitude, half sine pulse of 3 ms, no discontinuity > 1 µs	MIL-STD 1344 Method 2004 EIA-364-27

## ELECTRICAL DATA

Type	Performance	Standard
Contact resistance (fig. 1) over 5,000 mating cycles	Contact diameter / resistance Ø 0.5 mm < 5 mOhm Ø 0.7 mm < 4 mOhm Ø 0.9 mm < 4 mOhm Ø 1.3 mm < 3 mOhm Ø 2.0 mm < 3 mOhm	IEC 60512-2-1
Shell resistance (fig. 2)	< 5 mOhm	IEC 60512-2-1
Insulation resistance	> 100 MOhm	IEC 60512-3-1
Shielding effectiveness <sup>3</sup>	> 65 dB	VG 95214-11

## MEASUREMENT POINTS

FIG. 1

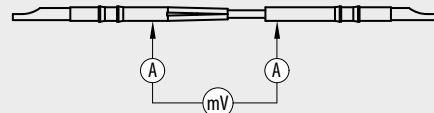
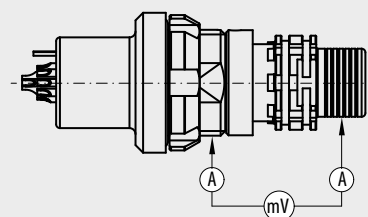


FIG. 2



## MATERIAL AND SURFACE TREATMENTS

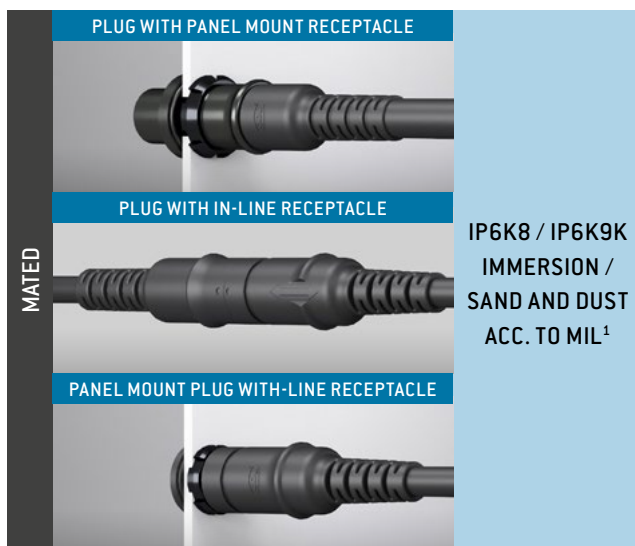
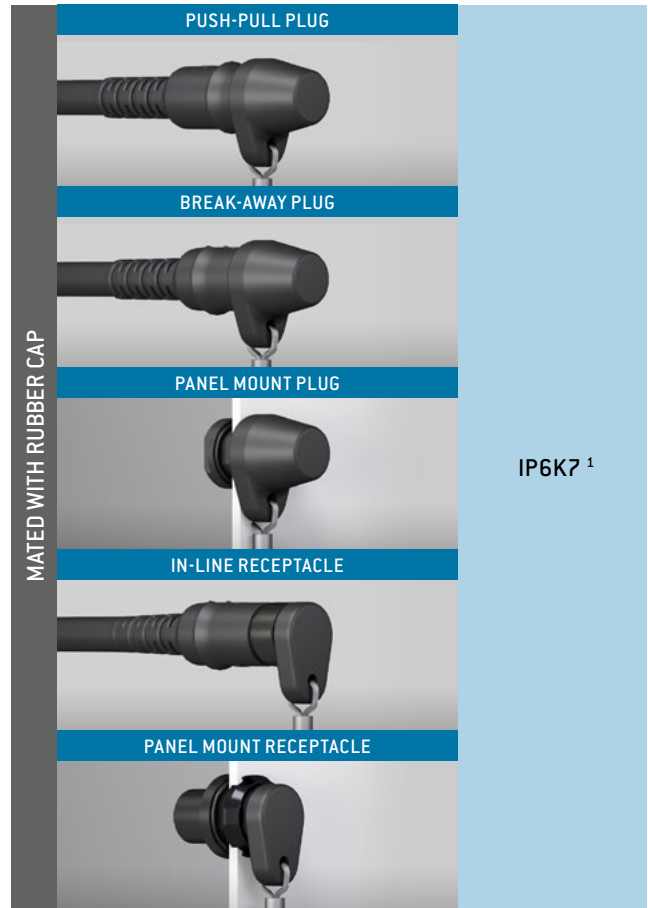
Type	Material	Standard		Surface	Standard	Flammability
		EU	US			
Housing (conductive parts)	Aluminium AlMgSiSn1Bi	EN-AW 6023		Ruthenium over electroless nickel		
Housing / nut (non conductive parts)	Aluminium AlMgSiSn1Bi	EN-AW 6023		Black anodized		
Backshell (Push-Pull plug)	Aluminium AlMgSiSn1Bi	EN-AW 6023		Ruthenium over electroless nickel		
Backshell (Break-Away plug and in-line receptacle)	Aluminium AlMgSiSn1Bi	EN-AW 6023		Electroless nickel	SAE-AMS2404	
EMC-locking ring	CuBe2	CW102C (2.1248)		Electrodeposited nickel		
Crimp sleeve	CuZn38Pb1.5	CW608N (2.0371)	C35300	Electrodeposited nickel		
Color ring	PSU					UL94 (V0)
Insulator	PEEK (standard), PTFE (coax)					UL94 (V0)
Pin contact	Copper alloy	CW614N (2.0401)	C38500	1.27 µm gold over electrodeposited nickel	MIL-G-45204D	
Socket contact	Copper alloy	CW614N (2.0401)	C38500	1.27 µm gold over electrodeposited nickel	MIL-G-45204D	
O-rings	FVMQ (floursilikon)					
Potting	Potting compound					UL94 (V0)
Overmolding material	TPU					UL94 (HB)
Shrink boots	Polyester-elastomere					acc to. VG95343

RoHS 2011/65/EC recognized



# PROTECTION ODU AMC®

IP RATING ACC. TO ISO 20653:2013  
 IMMERSION ACC. TO MIL-STD-810G 512.5  
 SAND AND DUST ACC. TO MIL-STD-810G 510.5



<sup>1</sup> Full protection  
<sup>2</sup> Contact area not protected  
<sup>3</sup> Size 3/E(4,5) IP18

The protection is only assured when backshell potted during cable assembly, according to ODU AMC® assembly instructions.



# INTERNATIONAL PROTECTION CLASSES

ISO 20653:2013 (VDE 0470-1:2014-09)

Code letters (International Protection)		First code number (Degrees of protection against access to hazardous parts respectively against solid foreign objects)		Second code number (Degrees of protection against water)		
IP		6		5		
Code no.	Protection against access to hazardous parts / Protection against ingress of solid foreign objects			Code no.	Protection against harmful effects due to the ingress of water	
0	No protection		No protection against contact / No protection against solid foreign objects	0	No protection against water	No protection against water
1	Protection against contact with the back of hand (no protection against intentional contact)		Test probe with diameter 50 mm shall not penetrate completely and maintain sufficient distance from hazardous parts.	1	Protection against dripping water	Vertical drips shall not have any harmful effects or impair performance.
2	Protection against finger contact		Jointed test finger with diameter 12.5 mm may penetrate completely, but shall maintain a sufficient distance from hazardous parts.	2	Protection against dripping water (tilted)	Vertical drips shall not have any harmful effects or impair performance when the enclosure is tilted at any angle up to 15° on either side of the vertical
3	Protection against penetration of tools (e.g. screwdrivers)		Test probe with diameter 2.5 mm, may penetrate completely, but shall maintain a sufficient distance from hazardous parts.	3	Protection against spray water	Water spray at an angle up to 60° on either side of the vertical shall have no harmful effects or impair performance
4	Protection against granular foreign objects		Test probe with diameter 1.0 mm, may penetrate completely, but shall maintain a sufficient distance from hazardous parts	4	Protection against splashing water	Water which splashes against the enclosure from any direction shall not have any harmful effects or impair performance
				4K	Protection against splashing water with increased pressure	Water which splashes against the enclosure from any direction with increased pressure shall not have any harmful effects or impair performance
5K	Protection against dust		Dust shall only penetrate in quantities which do not impair performance and safety.	5	Protection against high-velocity water	Water which is directed against the enclosure from any direction as a jet shall not have any harmful effects or impair performance
				6	Protection against powerful water jet	Water which is directed against the enclosure from any direction as a strong jet shall not have any harmful effects or impair performance
6K	Protection against ingress of dust		Dust shall not penetrate	6K	Protection against strong high-velocity water with increased pressure	Water which is directed against the enclosure from any direction as a strong jet with increased pressure shall not have any harmful effects or impair performance
				7	Protection against the effects of temporary immersion in water	Water shall not penetrate in a quantity causing harmful effects or impair performance if the enclosure is immersed in water temporarily under specified pressure and time conditions
				8	Protection against the effects of continuous immersion in water	Water shall not penetrate in a quantity causing harmful effects if the enclosure is continuously immersed in water under conditions which shall be specified by the manufacturer
				9K	Protection against water during high-pressure/steam-jet cleaning	Water which is directed against the enclosure from any direction shall not have any harmful effects or impair performance

# TURNED CONTACT

Turned contacts are available in diameter 0.5 mm to 2 mm in the following termination types:

**Solder and Print**

Mating cycles > 5,000  
 Material Copper alloy  
 Plating 1.25 µm gold over electrodeposited nickel

	Plug	Receptacle
Solder termination	•	•
PCB termination	•	•

**TERMINATION STANDARD PIN CONTACTS**

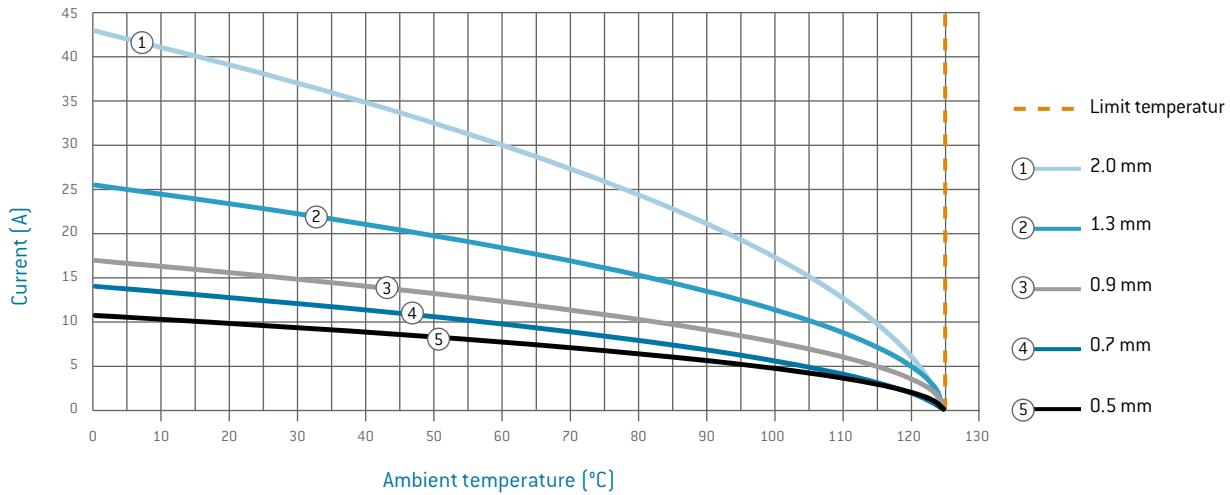


Information on diameters, terminal types and current-carrying capacity can be found after the inserts.



# CURRENT LOAD OF TURNED CONTACTS

## NOMINAL SINGLE CONTACT CURRENT LOAD FOR PIN / SLOTTED SOCKET (NOMINAL DIAMETER 0.5 mm – 2.0 mm)



### UPPER LIMIT TEMPERATURE OF STANDARD CONTACTS: +125 °C.

In the case of multi-position connectors and cables, the heating is greater than it is with individual contacts. For that reason, it is calculated with a derating factor. For connectors, the derating factors for multi-core cables pursuant to VDE 0298-4:2013-06 are applied. The derating factor is factored in at 5 live wires and up.

### DERATING CURVE

The corrected current-carrying capacity curve, derived from the base curve determined ( $0.8 \times$  measured current). It factors in manufacturing tolerances as well as uncertainties in temperature measurement and measurement arrangement. See derating measurement method.

### RATED CURRENT (NOMINAL CURRENT)

The metrologically determined current which is permitted to flow continuously through all contacts at the same time and will increase the contact temperature by 45 Kelvin. The amperage is determined according to the derating measurement method (IEC 60512-5-2:2002) and derived from the derating curve.

### DERATING FACTOR

Number of loaded wires	Derating factor
5	0.75
7	0.65
10	0.55
14	0.5
19	0.45
24	0.4

# OPERATING VOLTAGE

## ACC. TO SAE AS 13441-METHOD 3001.1

The values acc. to SAE AS 13441-method 3001.1 comply with MIL-Std. 1344 – method 3001.

The inserts have been tested in mated condition and the test voltage was applied to the pin insert.

75 % of the measured break-down voltage is the basic for the further calculation.  $\frac{1}{3}$  of this value is the corresponding operating voltage.

All tests were performed at standard environment conditions (room temperature) and can be applied up to an altitude of 2,000 m. For any deviations one has to consider the reduction factor acc. to the relevant standards.

Suitable safety precautions must be taken in order to ensure that personnel do not come into contact with live conductors during installation and operation.

All entries were reviewed with maximum care before this catalogue was printed.

ODU reserves the right to make changes in accordance with the current state of the art without advance notice, and without being obligated to provide replacement deliveries or to continue production of older designs.

---

<b>Test voltage</b>	<b>Break-down voltage <math>\times 0.75</math></b>
<b>Operating voltage</b>	<b>Break-down voltage <math>\times 0.75 \times 0.33</math></b>

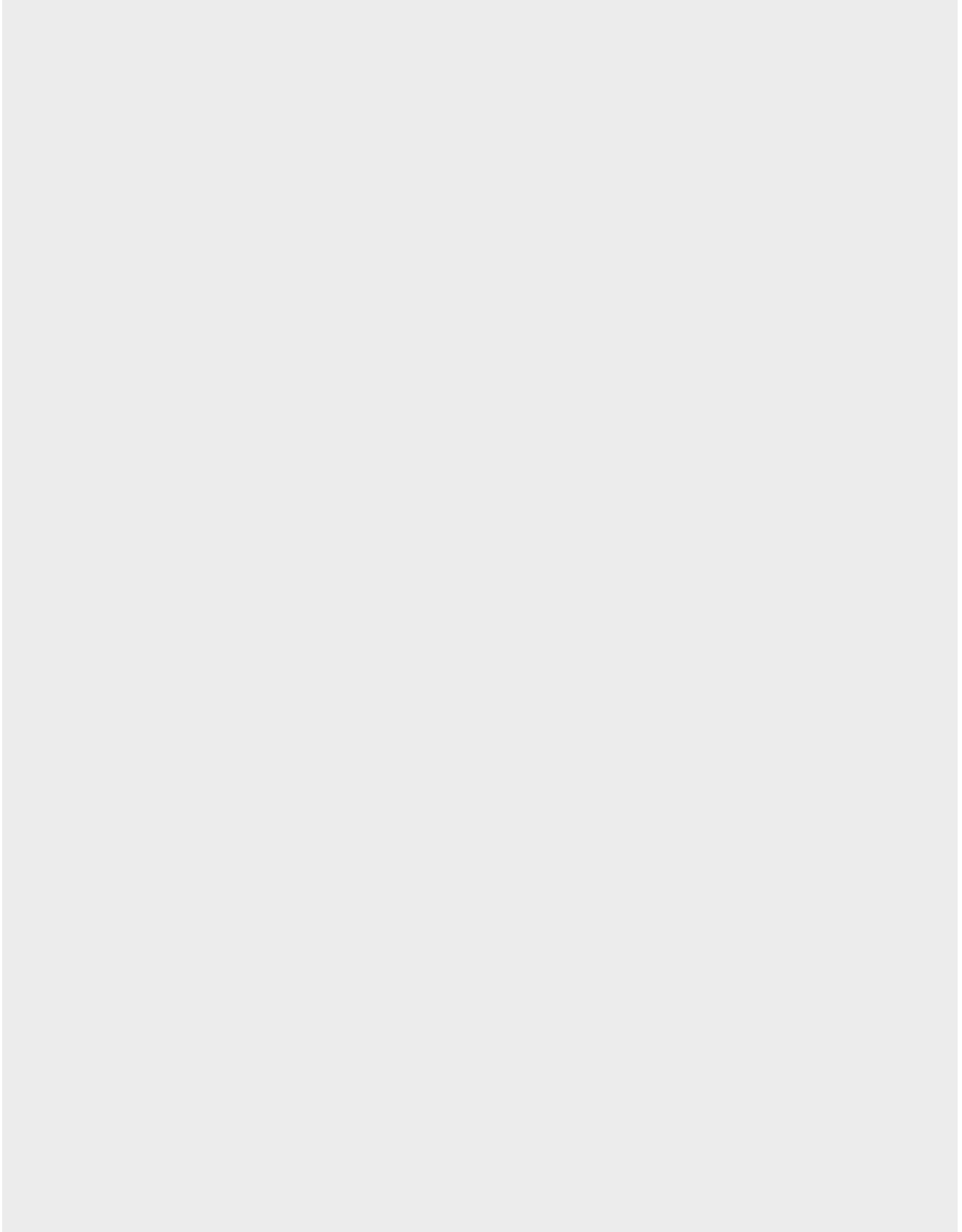
---

### CAUTION

Electrical appliances: for various applications the safety requirements regarding the operating voltage is even more severe!

The relevant datas in such cases for the operating voltage are the creepage and clearance distances. For any advise how to chose the proper connector please consult us and indicate the safty standard which your product has to meet.

# FOR YOUR NOTES



# CONVERSIONS / AWG (AMERICAN WIRE GAUGE)

Circular wire					
AWG	Diameter		Cross-section mm <sup>2</sup>	Weight kg / km	Max. resistance Ω / km
	Inch	mm			
10 (1)	0.1019	2.590	5.26	46.77	3.45
10 (37/26)	0.1150	2.921	4.74	42.10	4.13
12 (1)	0.0808	2.050	3.31	29.41	5.45
12 (19/25)	0.0930	2.362	3.08	27.36	6.14
12 (37/28)	0.0910	2.311	2.97	26.45	6.36
14 (1)	0.0641	1.630	2.08	18.51	8.79
14 (19/27)	0.0730	1.854	1.94	17.23	9.94
14 (37/30)	0.0735	1.867	2.08	18.870	10.50
16 (1)	0.0508	1.290	1.31	11.625	13.94
16 (19/29)	0.0590	1.499	1.23	10.928	15.70
18 (1)	0.0403	1.020	0.823	7.316	22.18
18 (19/30)	0.0052	1.321	0.963	8.564	20.40
20 (1)	0.0320	0.813	0.519	4.613	35.10
20 (7/28)	0.0390	0.991	0.563	5.003	34.10
20 (19/32)	0.0420	1.067	0.616	5.473	32.00
22 (1)	0.0253	0.643	0.324	2.883	57.70
22 (7/30)	0.0288	0.732	0.324	2.965	54.80
22 (19/34)	0.0330	0.838	0.382	3.395	51.80
24 (1)	0.0201	0.511	0.205	1.820	91.20
24 (7/32)	0.0250	0.635	0.227	2.016	86.00
24 (19/36)	0.0270	0.686	0.241	2.145	83.30
26 (1)	0.0159	0.404	0.128	1.139	147.00
26 (7/34)	0.0200	0.508	0.141	1.251	140.00
26 (19/38)	0.0220	0.559	0.154	1.370	131.00
28 (1)	0.0126	0.320	0.0804	0.715	231.00
28 (7/36)	0.0160	0.406	0.0889	0.790	224.00
28 (19/40)	0.0170	0.432	0.0925	0.823	207.00
30 (1)	0.0100	0.254	0.0507	0.450	374.00
30 (7/38)	0.0130	0.330	0.0568	0.505	354.00
30 (19/42)	0.0123	0.312	0.0720	0.622	310.00
32 (1)	0.0080	0.203	0.0324	0.288	561.00
32 (7/40)	0.0110	0.279	0.0341	0.303	597.10
32 (19/44)	0.0100	0.254	0.0440	0.356	492.00
34 (1)	0.0063	0.160	0.0201	0.179	951.00
34 (7/42)	0.0070	0.180	0.0222	0.197	1,491.00
36 (1)	0.0050	0.127	0.0127	0.1126	1,519.00
36 (7/44)	0.0060	0.150	0.0142	0.1263	1,322.00

The American Wire Gauge (AWG) is based on the principle that the cross-section of the wire changes by 26% from one gauge number to the next. The AWG numbers decrease as the wire diameter increases, while the AWG numbers increase as the wire diameter decreases. This only applies to solid wire.

However, stranded wire is predominately used in practice. This has the advantage of a longer service life under bending and vibration as well as greater flexibility in comparison with solid wire.

Stranded wires are made of multiple, smaller-gauge wires (higher AWG number). The stranded wire then receives the AWG numbers of a solid wire with the next closest cross-section to that of the stranded wire. In this case, the cross-section of the stranded wire refers to the sum of the copper cross-sections of the individual wires.

Accordingly, strands with the same AWG number but different numbers of wires differ in cross-section. For instance, an AWG 20 strand of 7 AWG 28 wires has a cross-section of 0.563 mm<sup>2</sup>, while an AWG 20 strand of 19 AWG 32 wires has a cross-section of 0.616 mm<sup>2</sup>.

Source: ASTM

# TECHNICAL TERMS

## AMBIENT TEMPERATURE

Temperature of the air or other medium in which a piece of equipment is intended to be used in (IEC 44/709/CDV:2014 [VDE 0113-1:2019-06]).

## AWG

American Wire Gauge. See page [72](#).

## BASE CURVE

A current-carrying capacity curve metrologically determined according to the method described in IEC 60512-5-2:2002 (DIN EN 60512-5-2:2003-01) depending on the permissible limit temperature of the materials.

## CHEMICAL RESISTANCE

Many secondary processing procedures use adhesives, cleaning agents or other chemicals on our products. Contact with unsuitable chemicals may have an adverse effect on the mechanical and electrical properties of the insulation and housing materials which specified properties may not be able to withstand. Please observe our processing suggestions and technical instructions in this catalogue.

## CLEARANCE DISTANCE

The shortest distance in the air between two conductive parts.

## CODING (ORIENTATION)

Arrangement with which differing polarization of otherwise identical connectors prevents interchangeability. This is a good idea if two or more identical connectors are attached to the same device. See also compatible connectors, see page [33](#).

## CONNECTORS

Also known as connectors without contact rating (COC): (IEC 61984:2008 [VDE 0627:2009-11]). An element which enables electrical conductors to be connected and is intended to create and/or separate connections with a suitable counterpart.

## CONNECTOR WITHOUT BREAKING CAPACITY (COC)

Connector which is not deemed to be engaged or disengaged in normal use when live or under load.

## CONTACT RESISTANCE

Total resistance value measured from terminal to terminal. In this case, the resistance is significantly lower than the contact resistance. The specifications are average values.

## CORES

Electrical conductor, solid wire or multi-wire strand, with insulation as well as any conductive layers. Cables or leads may have one or more cores.

## CREEPAGE DISTANCES

The shortest distance between two conductive parts along the surface of a solid insulation material. This factors in all elevations and recesses in the insulator, as long as defined minimum dimensions are on hand.

## CRIMP BARREL

A terminal sleeve which can accommodate one or more conductor and be crimped by a crimping tool.

## CRIMP CONNECTION (CRIMP TERMINATION)

The permanent, non-detachable and solder-free mounting of a contact to a conductor via deforming or shaping under pressure to make a good electrical and mechanical connection. Executed with crimping tool, press or automatic crimping machine.

## CRIMPING AREA

The specified area of the crimp barrel in which the crimp termination is executed by means of deforming or shaping the barrel under pressure around the conductor.

## DEGREE OF POLLUTION

The effect of pollution is factored in as degree of pollution when measuring clearance and creepage distances. Four degrees of pollution are defined for the micro-environment: IEC 60664-1:2007 [VDE 0110-1:2008-01].

## DELIVERY FORM

Connectors can be delivered in assembled form or as individual parts.

# TECHNICAL TERMS

## DERATING CURVE

See page [69](#).

## DERATING FACTOR

According to VDE 0298-4:2013-06, with connectors and cables over 5 contacts, the heating is greater than it is with individual contacts. For that reason, the aforementioned standard is calculated with a derating factor.

## DERATING MEASUREMENT METHOD IEC 60512-5-2:2002 (DIN EN 60512-5-2:2003-01)

Measurement method to determine the current-carrying capacity of connectors in consideration of the maximum permissible limit temperature. See page [69](#).

## FIXED CONNECTORS

Intended for mounting on a fixed surface such as a frame, dock, device or wall (with ODU also receptacle or panel mounted plug).

## FREE CONNECTORS

Intended for mounting on free ends of mobile leads and cables (with ODU also connectors, plugs, in-line receptacles).

## INSULATOR

Part of a connector which separates conductive parts with different potentials from one another; usually identical to the contact carrier.

## LOWERMOST LIMIT TEMPERATURE

The lowest permissible temperature at which a connector may be operated.

## MATERIALS (STANDARD MODEL)

See page [65](#).

## MATING AND DEMATING FORCE

The force required to fully mate or demate pluggable elements without the influence of a coupling or locking device.

## MATING CYCLES

Mechanical actuation of connectors via push and pull action. A mating cycle consists of one mating and demating action. ODU's standard value for the ODU MINI-SNAP series is 5,000 mating cycles.

## MAX. CONTINUOUS CURRENT

The metrologically determined amperage at room temperature (approx. 20 °C) which increases the contact temperature to the limit temperature. The values specified in the catalog apply to either individual contacts or completely assembled inserts / modules, as indicated.

## NOMINAL SINGLE CONTACT CURRENT LOAD

The current-carrying capacity which each individual contact can be loaded with on its own. See page [69](#).

## NOMINAL VOLTAGE

The voltage which the manufacturer specifies for a connector and which the operating and performance features relate to.

## OPERATING TEMPERATURE FOR ODU AMC®

Range between the uppermost and lowermost temperature limits. -51 °C to +125 °C. See page [64](#).

## PCB (A.K.A. "PRINTED CIRCUIT BOARD")

A PCB is a carrier for electronic components. It serves the purposes of mechanical mounting and electrical connection.

## PCB TERMINATION

Production of a conductive connection between the PCB and an element in through-hole assembly, THT (through-hole technology).

## RATED CURRENT (NOMINAL CURRENT)

See page [69](#).

# TECHNICAL TERMS

## SOLDER CONNECTION (SOLDER TERMINATION)

Termination technology in which a molten additional metal (solder) with a lower melting point than the base materials to be connected is used to attach two metallic materials to one another.

## TIGHTNESS IEC 60529:2013 (VDE 0470-1:2014-09)

See protection classes on page [66](#).

## TERMINATION CROSS-SECTION

The specified cross-sections correspond to a “fine-wire” conductor structure pursuant to DIN EN 60228:2005-09 (VDE 0295:2005-09; class 5) or a “fine-wire” conductor structure (7/19 wire) according to AWG (ASTM B258:2014).

## TERMINATION TECHNOLOGIES

Methods for connecting the leads to the electro-mechanical element, such as solder-free connections pursuant to IEC 60352 (DIN EN 60352): crimp, screw connection etc. or soldering connection. See page [68](#).

## TEST VOLTAGE

The voltage which a conductor can withstand under defined conditions without dielectric breakdown or flashover.

## UPPERMOST LIMIT TEMPERATURE

The maximum permissible temperature at which a connector may be operated. It includes contact heating through current-carrying capacity.

## WIRE

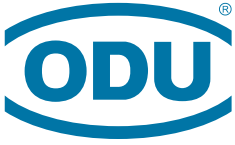
Wires (solid conductors) are available with an insulator sleeve and/or electrical shielding. Cables or conductors may be made up of one or more wires.

---

## GENERAL NOTE

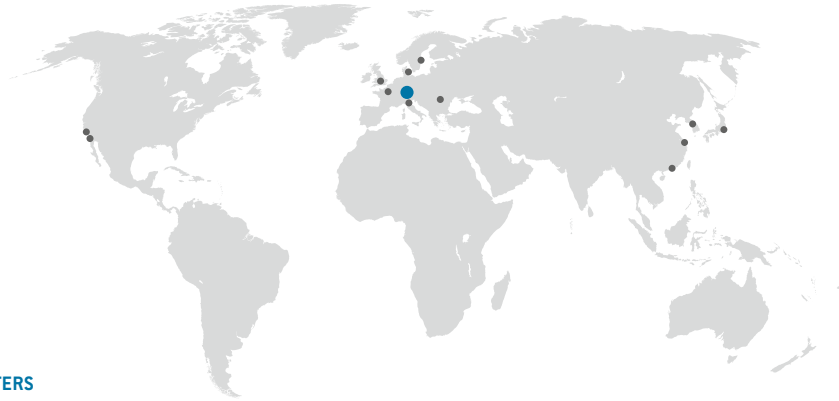
The connectors listed in this catalogue are intended for use in high voltage and frequency ranges. Suitable precautionary measures must be taken to ensure that people do not come into contact with live conductors during installation and operation. All entries in this catalogue were thoroughly reviewed before printing. ODU reserves the right to make changes based on the current state of knowledge without prior notice without being obliged to provide replacement deliveries or refinements of older designs.

---



A PERFECT ALLIANCE.

## ODU GROUP WORLDWIDE



### HEADQUARTERS

#### ODU GmbH & Co. KG

Pregelstraße 11, 84453 Mühldorf a. Inn, Germany  
Phone: +49 8631 6156-0, Fax: +49 8631 6156-49, E-mail: sales@odu.de

### SALES LOCATIONS

#### ODU (Shanghai)

International Trading Co., Ltd.  
Phone: +86 21 58347828-0  
E-mail: sales@odu.com.cn  
www.odu.com.cn

#### ODU Italia S.R.L.

Phone: +39 331 8708847  
E-mail: sales@odu-italia.it  
www.odu-italia.it

#### ODU Scandinavia AB

Phone: +46 176 18262  
E-mail: sales@odu.se  
www.odu.se

#### ODU (HK) Trading Co., Ltd.

Phone: +852 5439-9036  
E-mail: sales@odu.hk  
www.odu.hk

#### ODU Japan K.K.

Phone: +81 3 6441 3210  
E-mail: sales@odu.co.jp  
www.odu.co.jp

#### ODU-UK Ltd.

Phone: +44 330 002 0640  
E-mail: sales@odu-uk.co.uk  
www.odu-uk.co.uk

#### ODU Denmark ApS

Phone: +45 2233 5335  
E-mail: sales@odu-denmark.dk  
www.odu-denmark.dk

#### ODU Korea Inc.

Phone: +82 2 6964 7181  
E-mail: sales@odu-korea.kr  
www.odu-korea.kr

#### ODU-USA Inc.

Phone: +1 805 484-0540  
E-mail: sales@odu-usa.com  
www.odu-usa.com

#### ODU-France SARL

Phone: +33 1 3935-4690  
E-mail: sales@odu.fr  
www.odu.fr

#### ODU Romania Manufacturing SRL

Phone: +40 269 704638  
E-mail: sales@odu-romania.ro  
www.odu-romania.ro

#### Further information and specialized representatives can be found at:

[www.odu-connectors.com/contact](http://www.odu-connectors.com/contact)

### PRODUCTION AND LOGISTICS SITES

- Germany** Otto Dunkel GmbH
- China** ODU (Shanghai) Connectors Manufacturing Co., Ltd.
- Mexico** ODU Mexico Manufacturing S. de R.L. de C.V.
- Romania** ODU Romania Manufacturing SRL
- USA** ODU North American Logistics Inc.



Simply scan the QR code to download the entire publication.

All dimensions are in mm. Some figures are for illustrative purposes only. Subject to change without notice. Errors and omissions excepted. We reserve the right to change our products and their technical specifications at any time in the interest of technical improvement. This publication supersedes all prior publications. This publication is also available as a PDF file that can be downloaded from [www.odu-connectors.com](http://www.odu-connectors.com)

ODU DM/UE

ODUAMC/IC/0320/EN